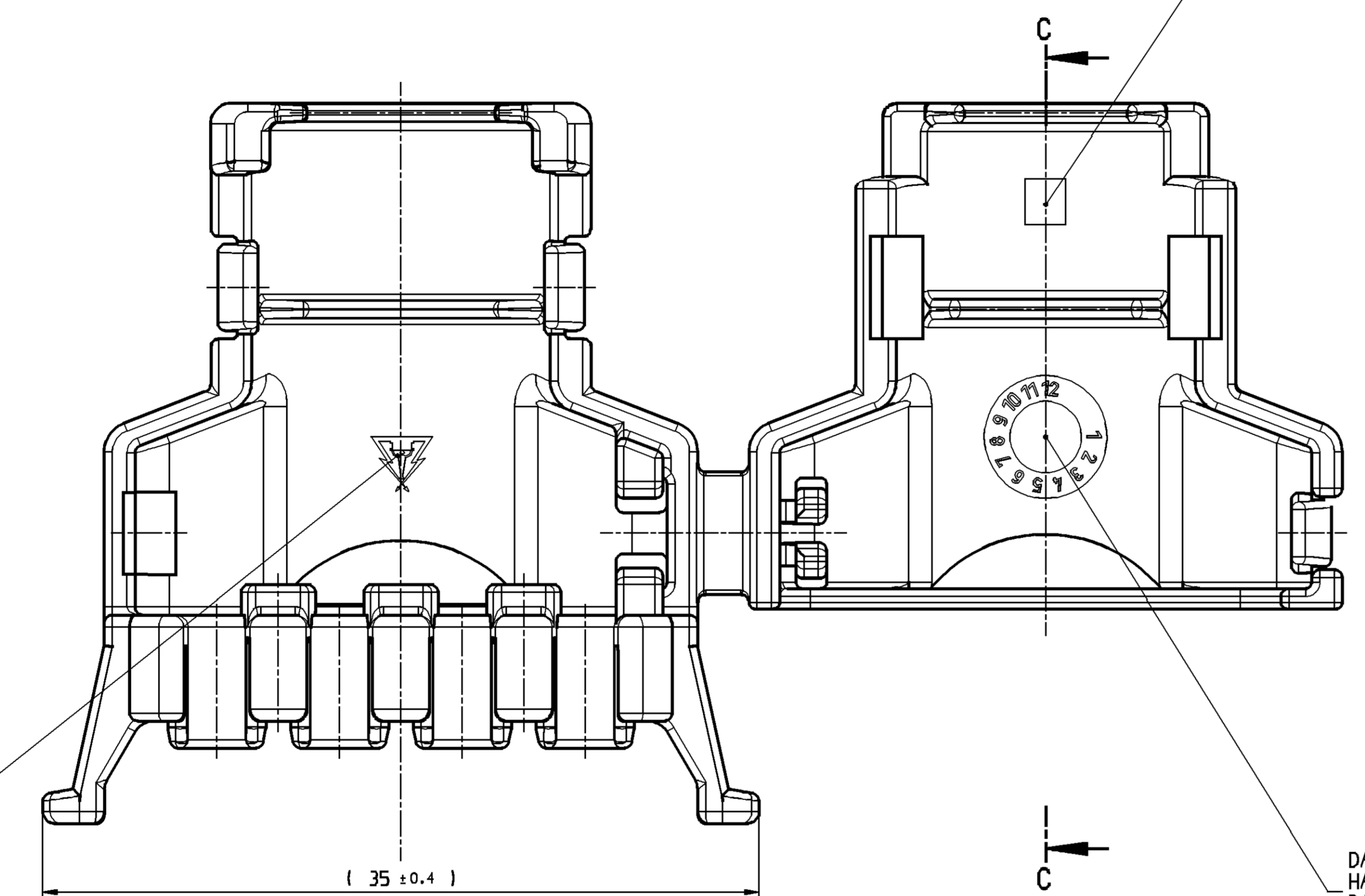
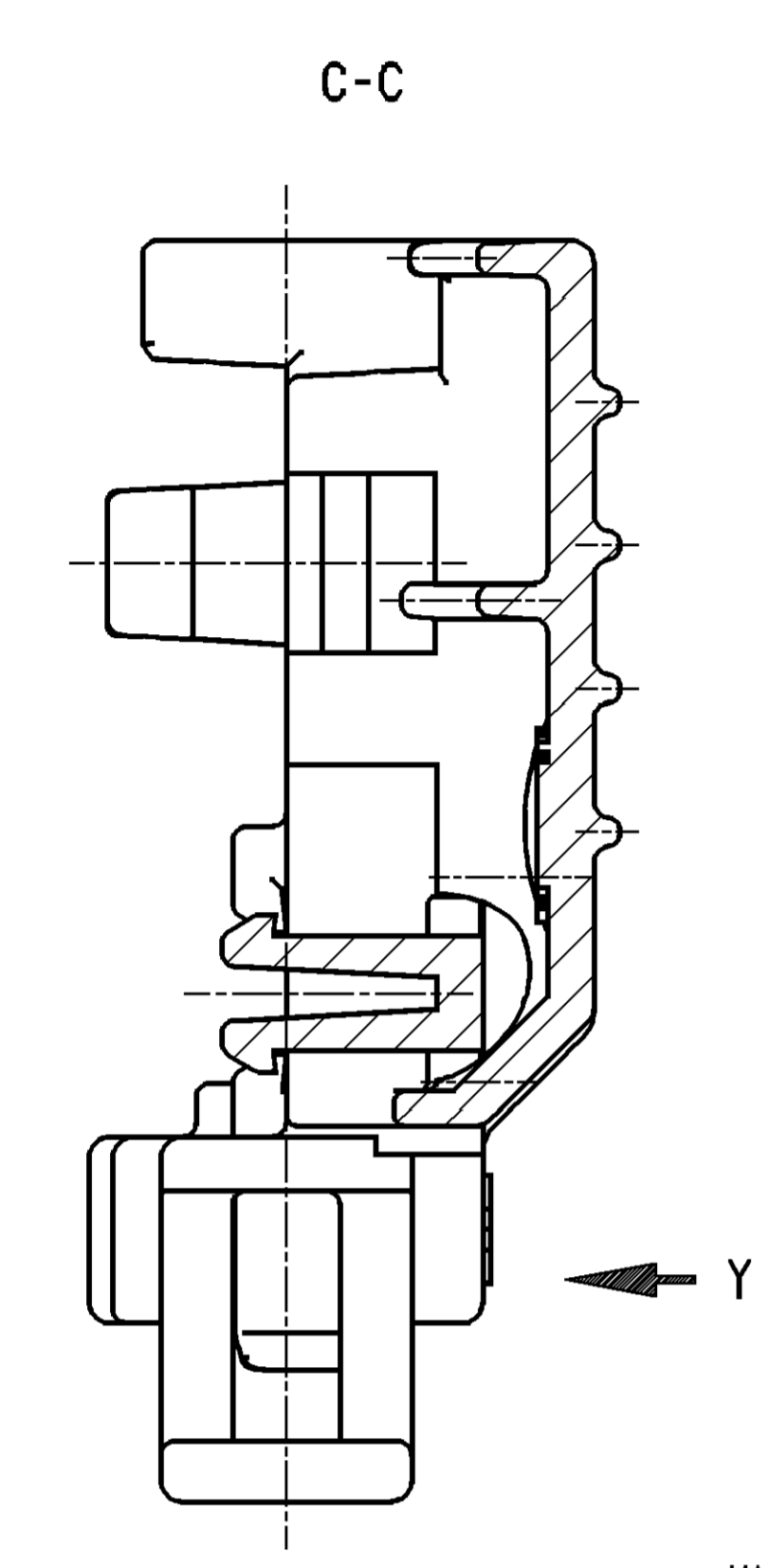
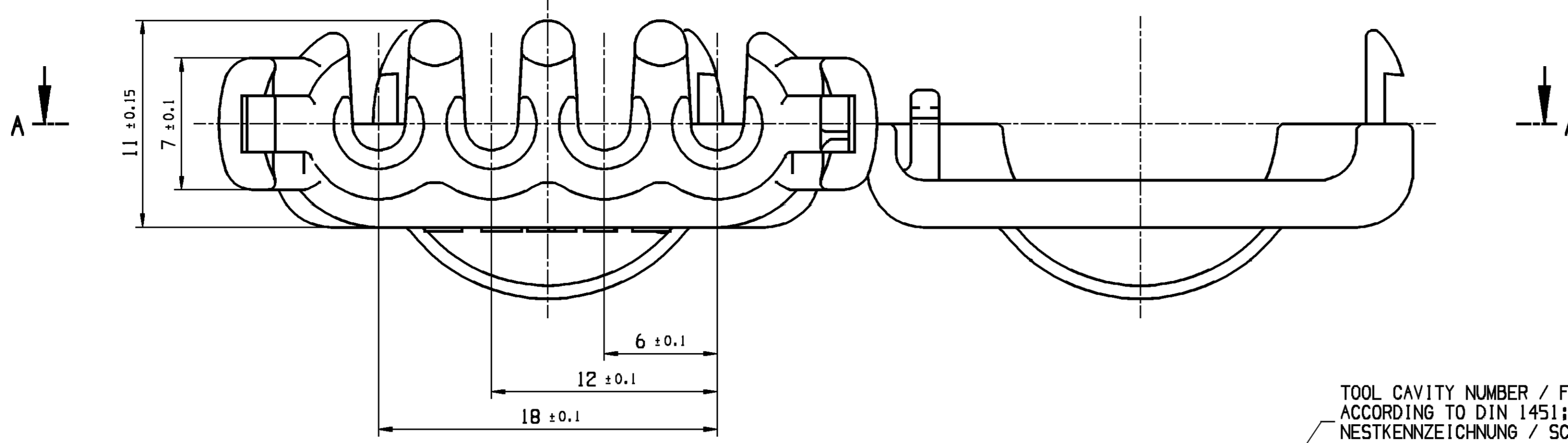
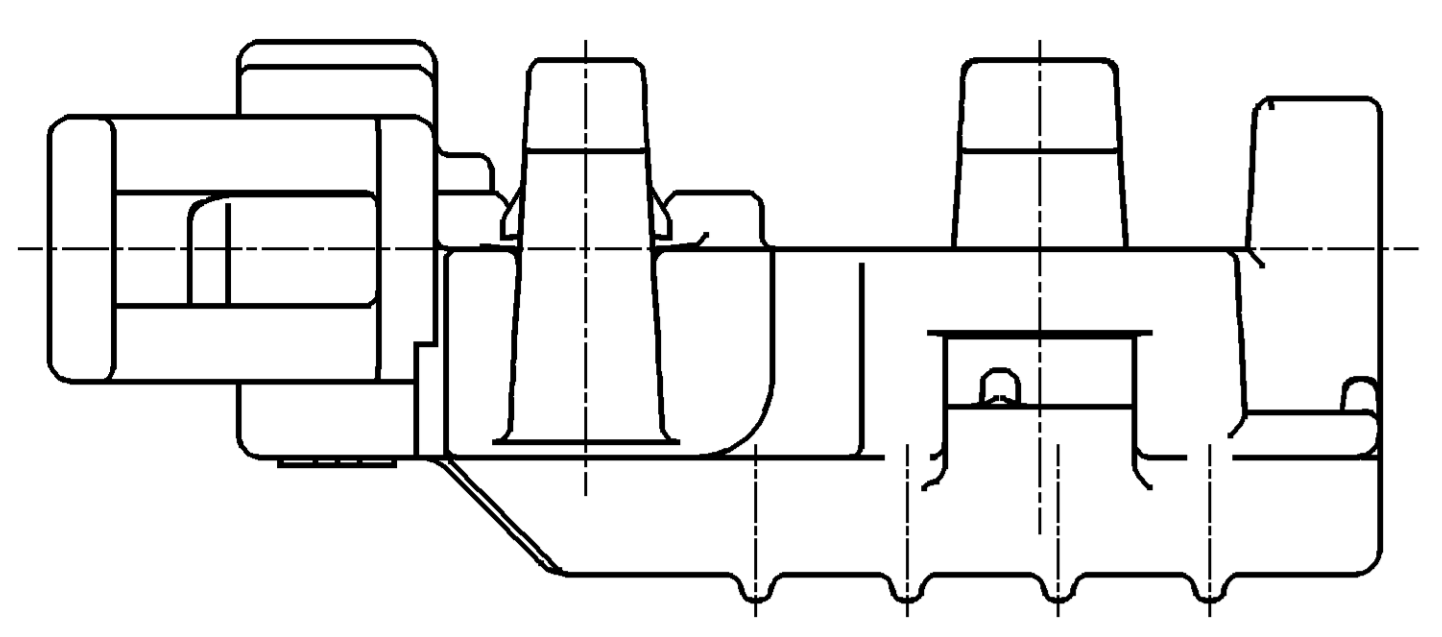


ID-NR. / PART-NO.	PART-REV	DATE DATUM	MATERIAL WERKSTOFF	RAL	DRG STATUS DATE	STG/REV/N/P/CHG	ZONE	REVISION HISTORY	AUTH	DR	AP/D 1	AP/D 2	
405 010 / 10719337	10	17MR97	PA6 BLK	9005	05MR03	01		INITIAL RELEASE FREIGABE			F.WICK	K.CZU	R.WIS
--- / 15457897	01	05MR03	PA6 BLU	5015	20AP06	R	01	AA					
								DRAWING OR US HER DRUG UP ZEICHNUNG AUF UR NEU ERSTELLT					

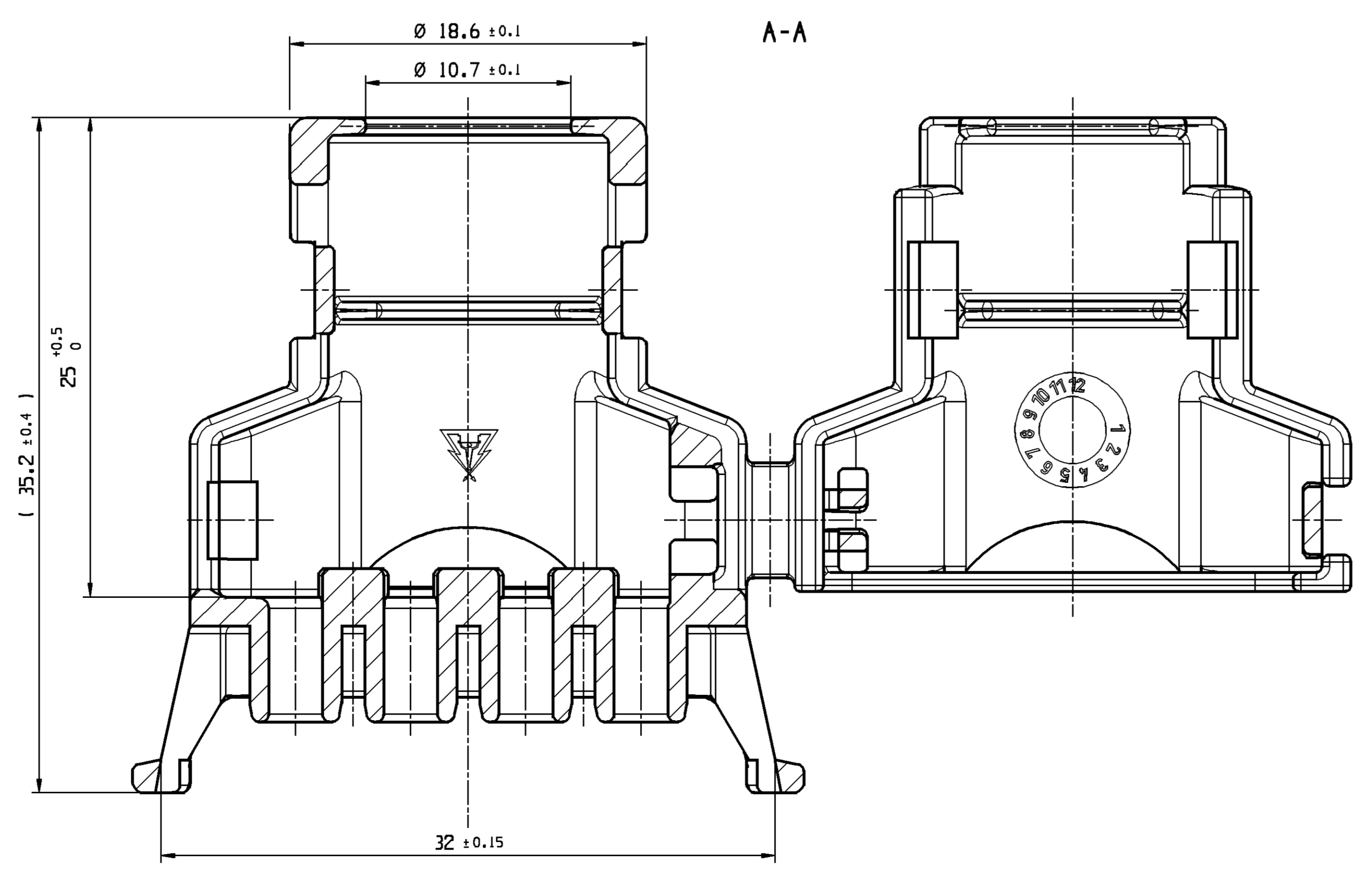
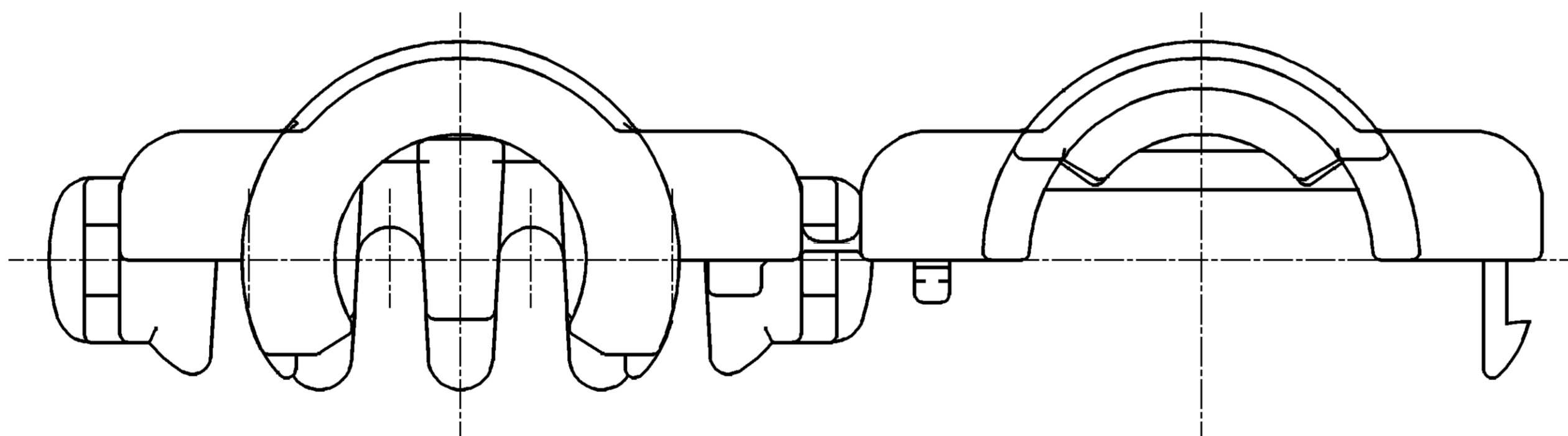
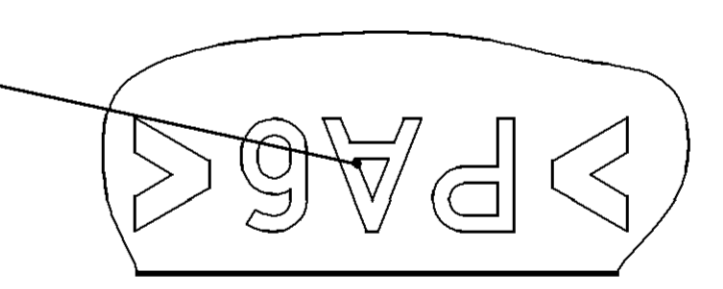


TOOL CAVITY NUMBER / FORMAT ACCORDING TO DIN 1451; H=2 MM  
 NESTKENNZEICHNUNG / SCHRIFTART NACH DIN 1451; H=2 MM

DATE INSERT SIMILAR FIRM HASCO Z 485/6/1; HAVE TO BE THE MANUFACTURING DATE  
 DATUMSSTEMPEL ACHNLIICH FA. HASCO Z485/6/1; EINSTELLUNG MUSS DEM FERTIGUNGSDATUM ENTSPRECHEN

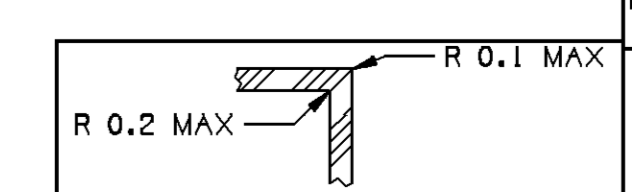
MANUFACTURER MARK X=3MM  
 HERSTELLERZEICHEN X=3MM

MATERIAL NAME ACCORDING TO VDA 260 / FORMAT ACCORDING TO DIN 1451; H=3 MM  
 WERKSTOFFKENNZEICHNUNG NACH VDA 260 / SCHRIFTART NACH DIN 1451; H=3 MM



REMARKS:  
 - LETTERS AND GRAVES 0.2 MM RECESSED / RAISED  
 - CONVOLUTED DEVICE: AD 13, FA. SOFANOU  
 - MATING DEVICE: ID-NR.: 417 132 / PART-NO.: 15337220

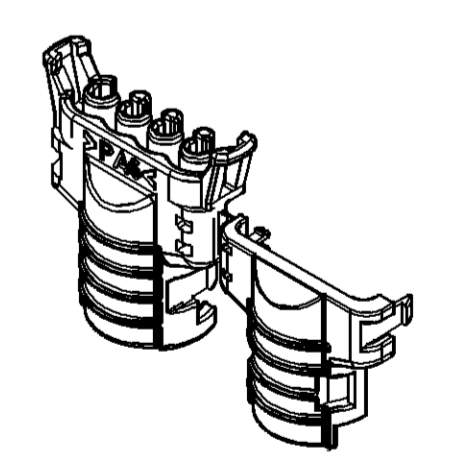
BEMERKUNGEN:  
 - SCHRIFTEN UND GRAVUREN 0.2 MM VERTIEFT / ERHABEN  
 - RILLROHRANSCHLUSS: AD 13, FA. SOFANOU  
 - PASSENDES GEGENSTUECK: ID-NR.: 417 132 / PART-NO.: 15337220



DIN TO Dwg	DIAMETRAL RANGE (mm)	CHART 1/1							
FROM	TO	FROM	TO						
0	20	0	20						
20	30	20	30						
30	40	30	40						
40	50	40	50						
50	63	50	63						
63	80	63	80						
80	100	80	100						
100	150	100	150						
150	200	150	200						
200	250	200	250						
250	300	250	300						
300	400	300	400						
TOLERANCE UNLESS OTHERWISE SPECIFIED									
THEORETIC DIM	±0.15	±0.2	±0.3	±0.4	±0.5	±0.6	±0.8	±1	±1.2
THEORE. MASS	ANGULAR TOLERANCE ±2°								

KEY PRODUCT CHARACTERISTICS				
NO & TYPE	DESCRIPTION	RATIONALE	PTS	ZONE
1	SAFETY/COMPLIANCE	FIT/FUNCTION	0	
2	S/C CHECKPOINTS	F/F CHECKPOINTS	0	
TOTAL ON DRAWING			0	
LAST NO. USED			0	

SCALE / MASSTAB: 1:1



DRG-TYP: CUSTOMER PART DRAWING  
 REVISION: 3.92  
 VOLUME (CMT): D  
 ROUTING:

**DELPHI**  
 DELPHI DEUTSCHLAND GMBH  
 54219 RUPPERTAL

UNLESS OTHERWISE SPECIFIED  
 GENERAL TOLERANCES ACCORDING TO: SEE CHART SIEHE TABELLE  
 GD&T ACCORDING TO: 150 1101  
 ORIGINAL DESIGN: 5502.789 / K

DATE: 20AP06  
 DR: D.GAGOVIC  
 AP/D1: R.WISNIEWSKI  
 AP/D2: R.WISNIEWSKI  
 AP/D3:  
 AP/D4:  
 AP/D5:  
 SUBSTANCES OF CONCERN AND RECYCLED CONTENT PER DELPHI (L949001) POTENTIAL BEFÄHIGTE STOFFE UND NEZULATANTEIL: SCHWACH DELPHI (L949001)  
 MATERIAL: SEE CHART / SIEHE TABELLE

REFERENCE: PART DRAWING  
 FIRST ANGLE PROJECTION  
 DO NOT SCALE  
 USE MATH DATA

DRAWING NAME: LOCKING CAP 4 WAY FOR GT 150 (WITH CONVOLUTED CONDUIT)  
 VERRIEGELUNGSKAPPE 4 POL. FUER GT 150 (MIT RILLROHRAUFNAHME)  
 DRAWING NUMBER: 15446680  
 SIZE: A0  
 SCALE: 5:1  
 FRAME NO: 1  
 SHEET NO: 1 OF 1  
 STB: R 01 AA  
 REV: 1

# Mouser Electronics

Authorized Distributor

Click to View Pricing, Inventory, Delivery & Lifecycle Information:

[Aptiv:](#)

[10719337](#)