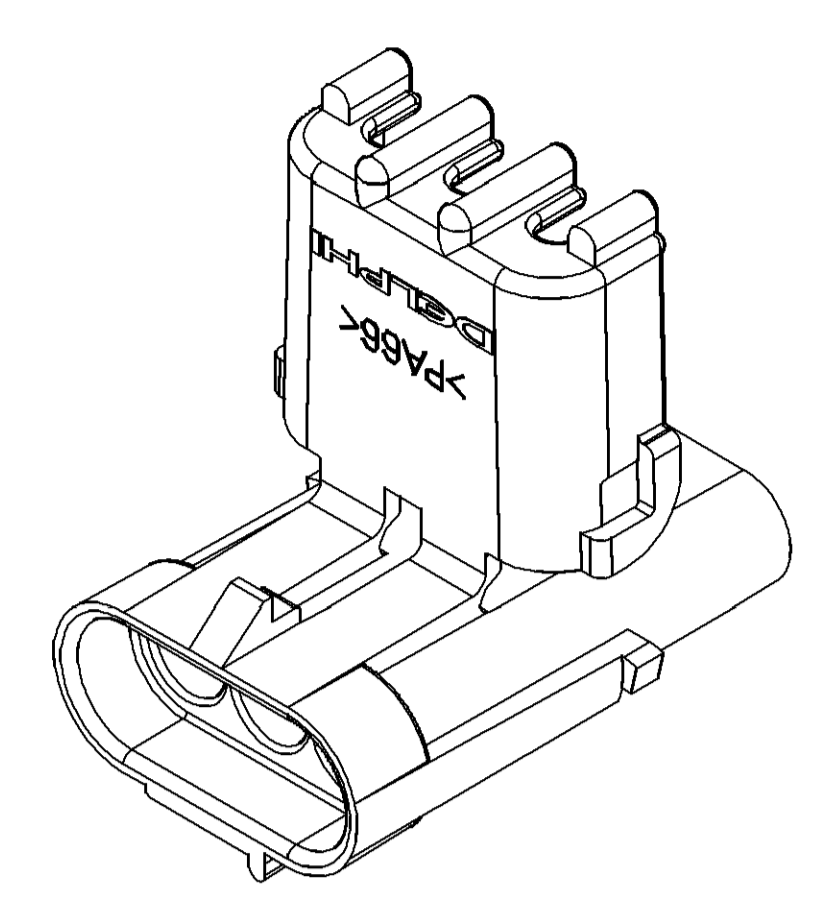
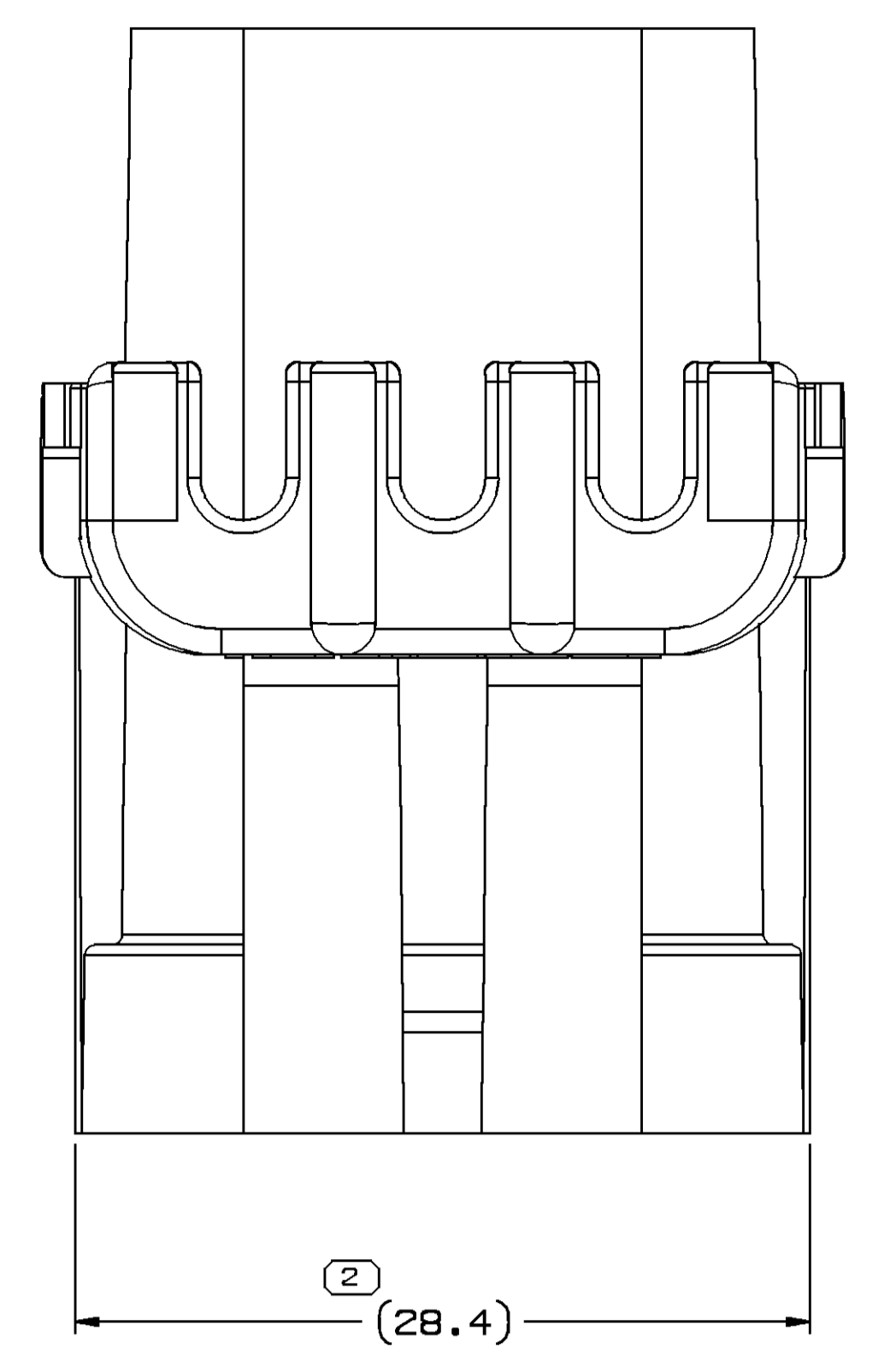
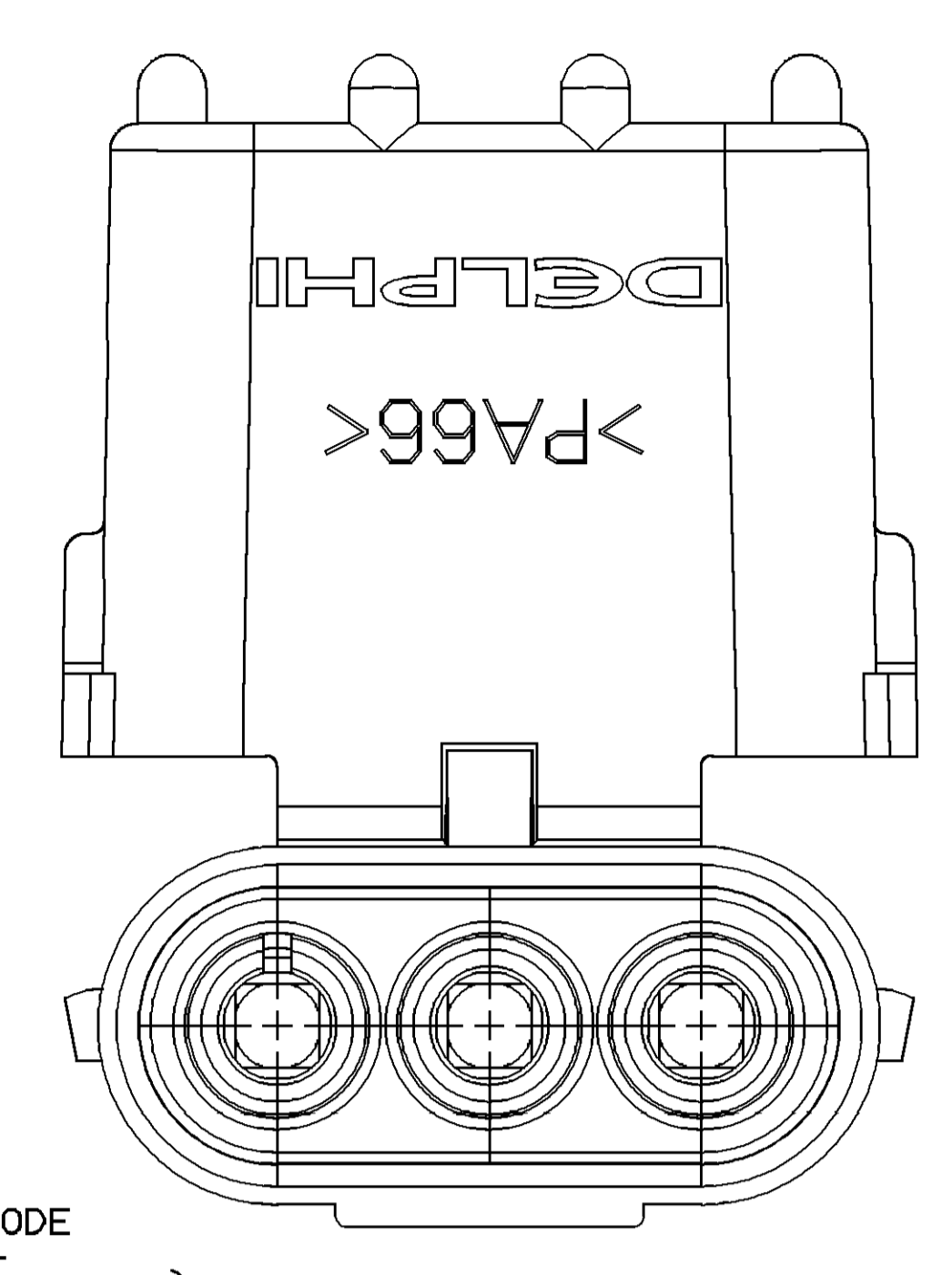
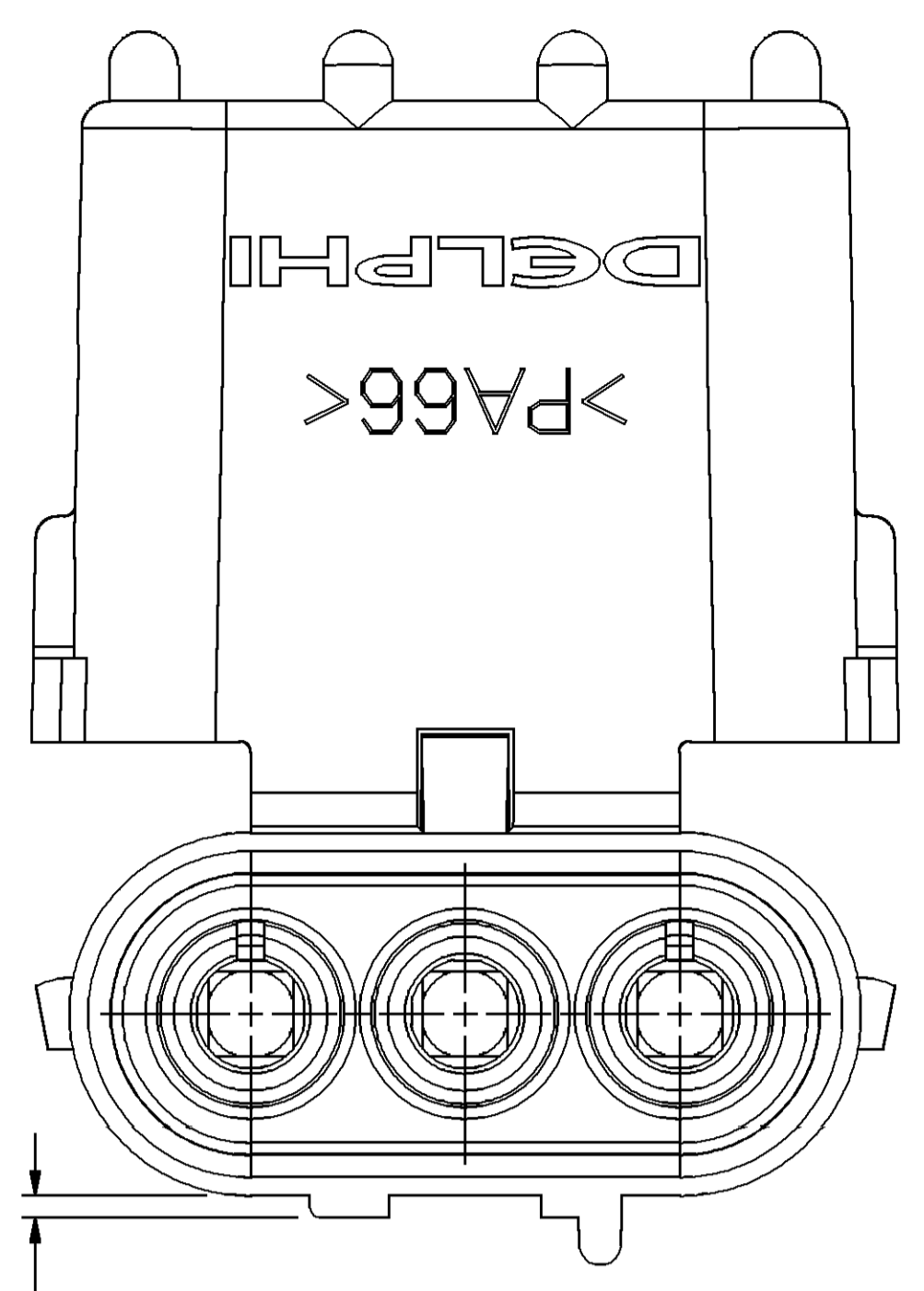


SYMBOL DEFINITION		TOTAL NO OF INSPECTIONS REQUIRED	MISSING SYMBOLS
A DIMENSION WITHOUT AN INSPECTION REPORT SYMBOL DOES NOT REQUIRE INSPECTION. IT MAY BE CONTROLLED ON THE INDIVIDUAL COMPONENT DRAWING.		23	NO MISSING SYMBOL NUMBER
		LAST NO. USED	17

DWS STATUS					REVISION HISTORY			AUTH	DR	APVD	APVD
DATE	STG	REV	N/P	CHG	ZONE						
08JUL02	R	02	-	-		CLEARED REV COLUMN: 12010717 - MAT'L SPEC WAS R0067547 PA6-BLK; 12015092 - MAT'L SPEC WAS R0064530 PA6-RED; 12015460 - MAT'L SPEC WAS R0065644 PA6-BLU	226196	JBR	EDV	RC	
16JUL07	R	03	-	-		ADDED NOTE B; UPDATED MATERIAL DESCRIPTION	401863	PJC	PJC	SS	
28OCT09	R	04	-	-		ALL ACTIVE PARTS - DIM 13 +0.3/-0.15 WAS 13 +/- 0.15	409347	APR	APR	APR	
17JUN10	R	05	-	-		13831309 - RELEASED	411088	JEG	JAA	FOO	
14JUL10	R	06	-	-		13831309 - ADDED DIMS (2 PLCS)	411329	ESC	ESC	FOO	
21OCT10	R	07	-	-		ALL ACTIVE PARTS - DIM 19 +0.15/-0.2 WAS DIM 19 +/- 0.15	412331	LHT	LHT	R6C	

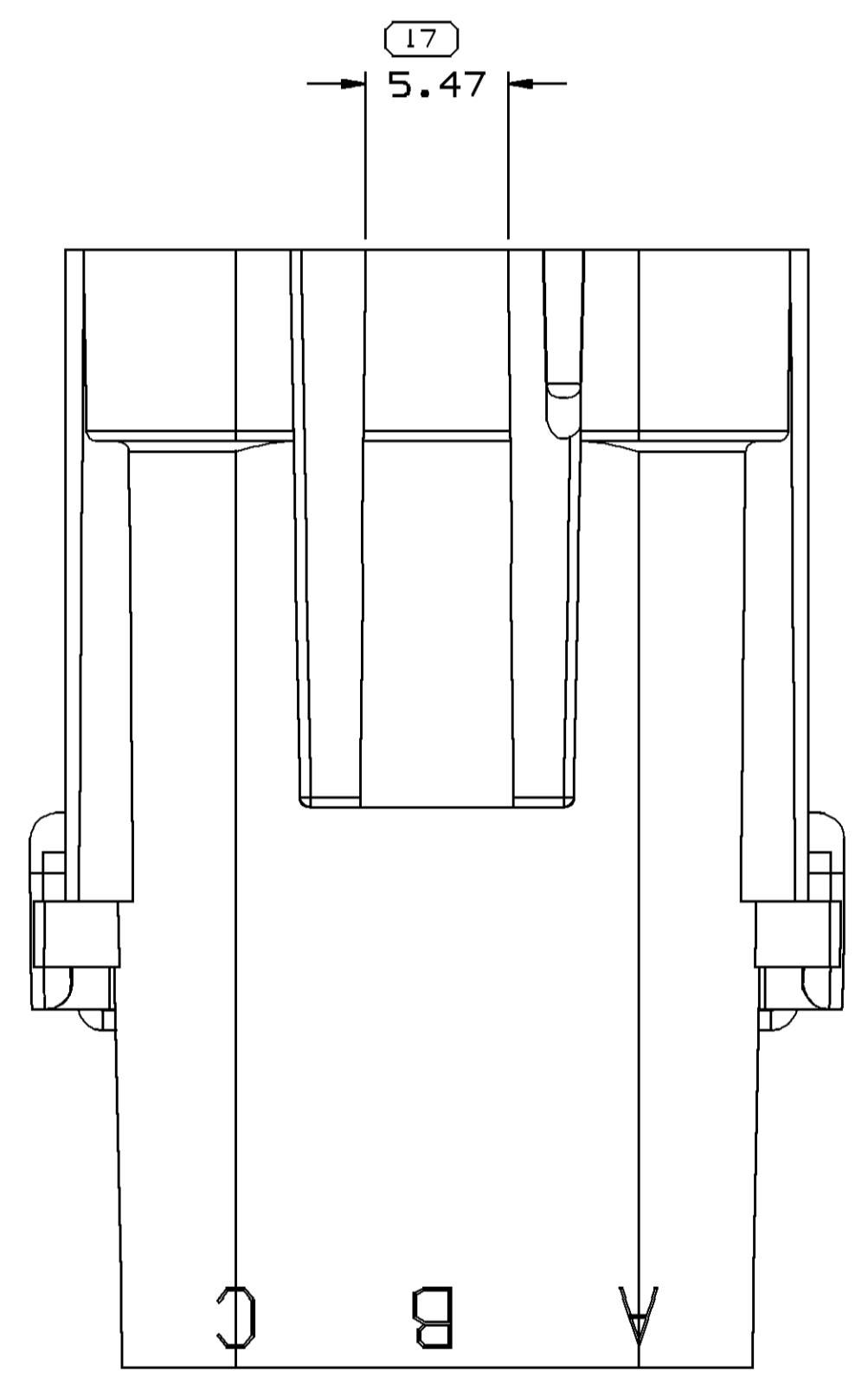


SCALE 2:1

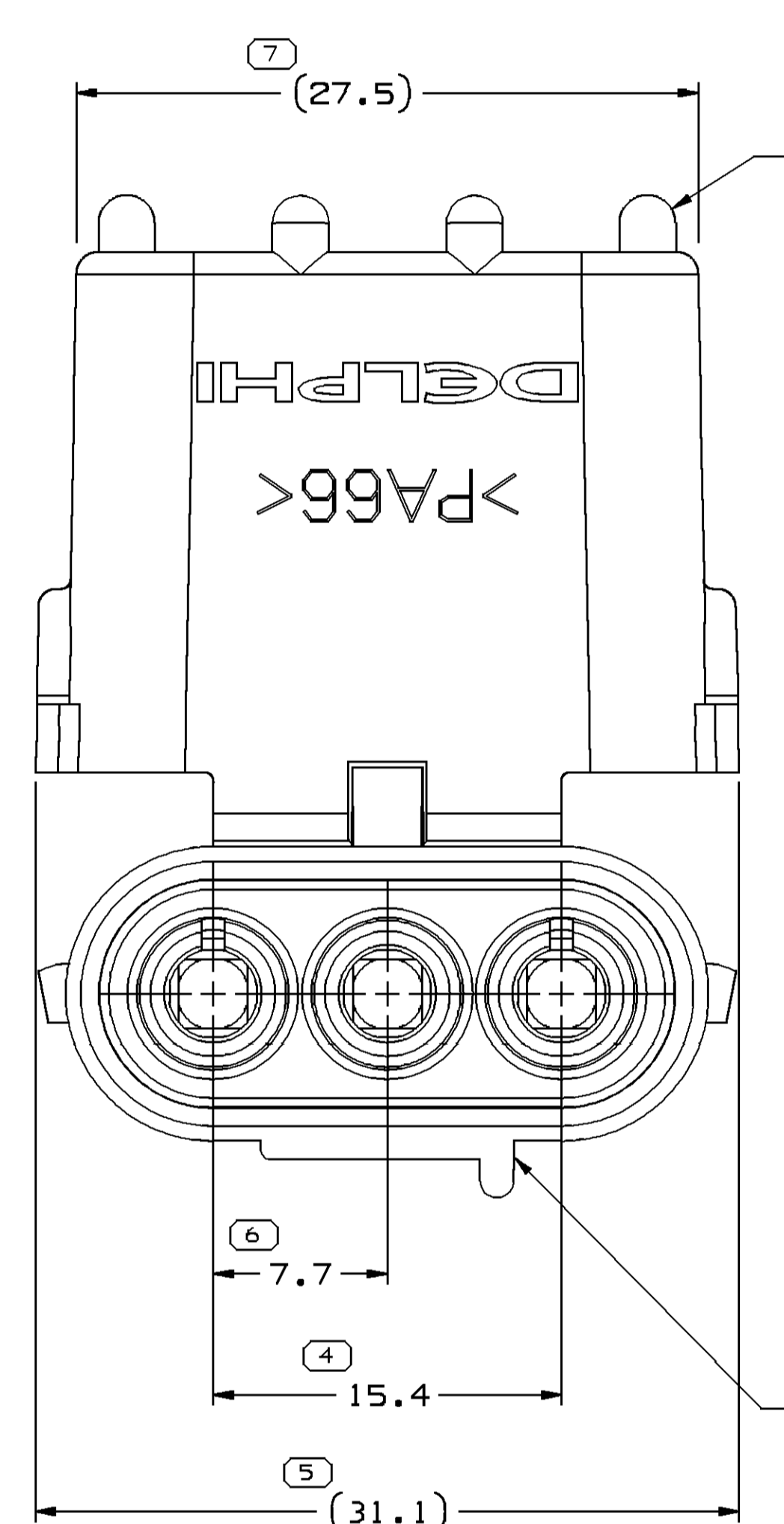
INDEX CODE
-100-
(ALSO SEE HANDBOOK)

TYPE 102
SAME AS TYPE 101
EXCEPT AS SHOWN

TYPE 103
SAME AS TYPE 101
EXCEPT AS SHOWN
NO OPTIONAL CONSTRUCTION ALLOWED



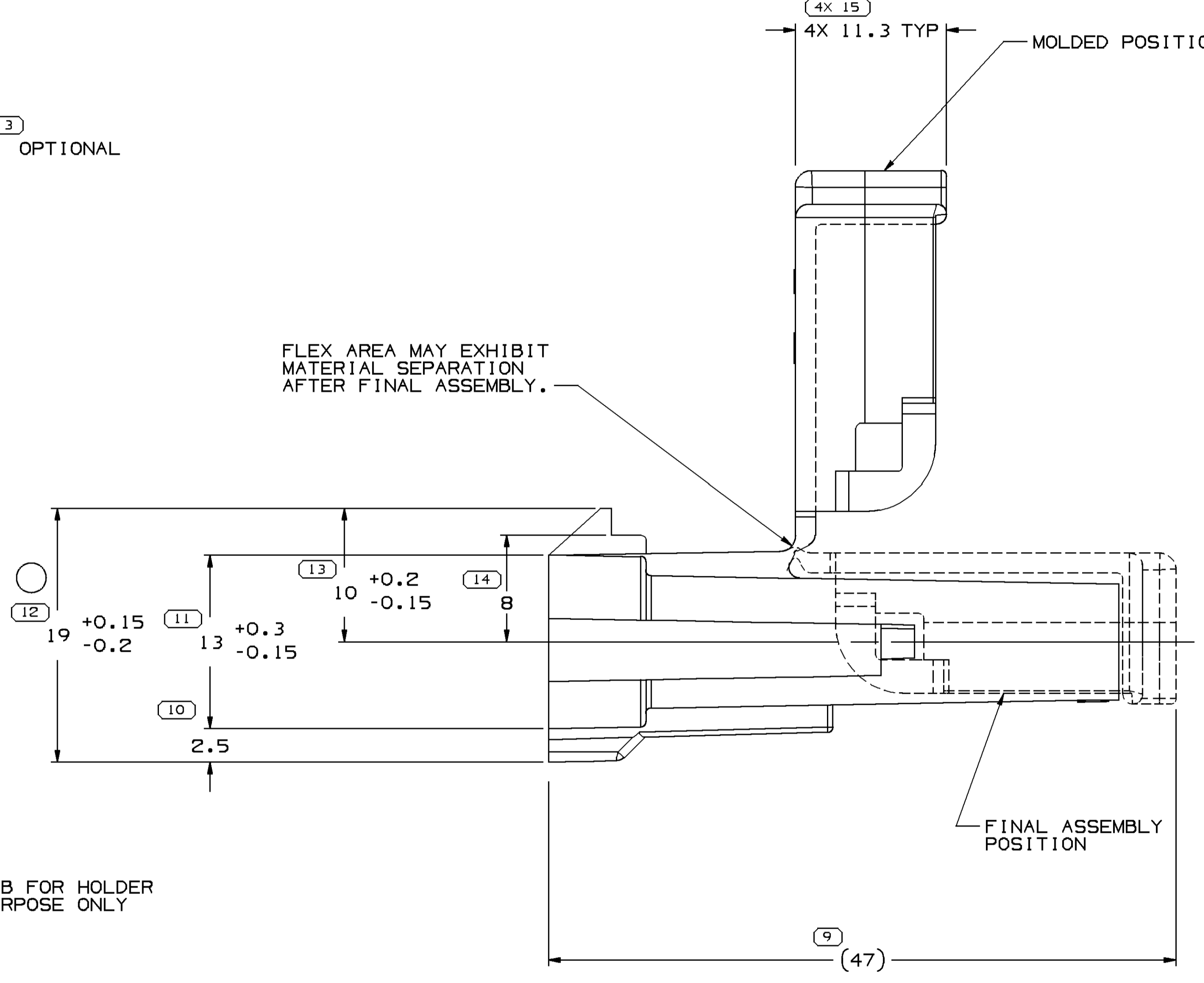
INDEX CODE
-101-
(ALSO SEE HANDBOOK)



TYPE 101

RIB FOR HOLDER PURPOSE ONLY

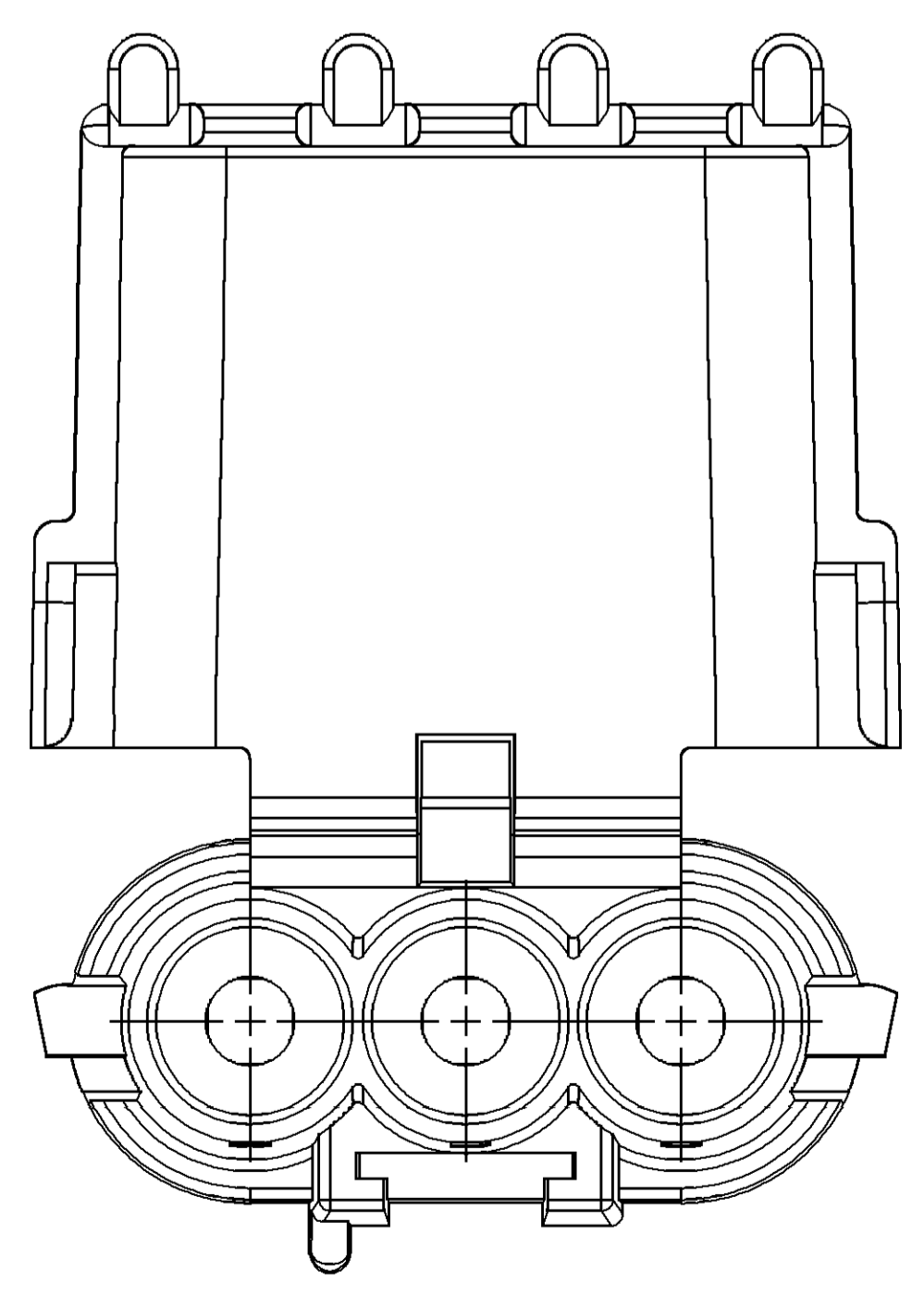
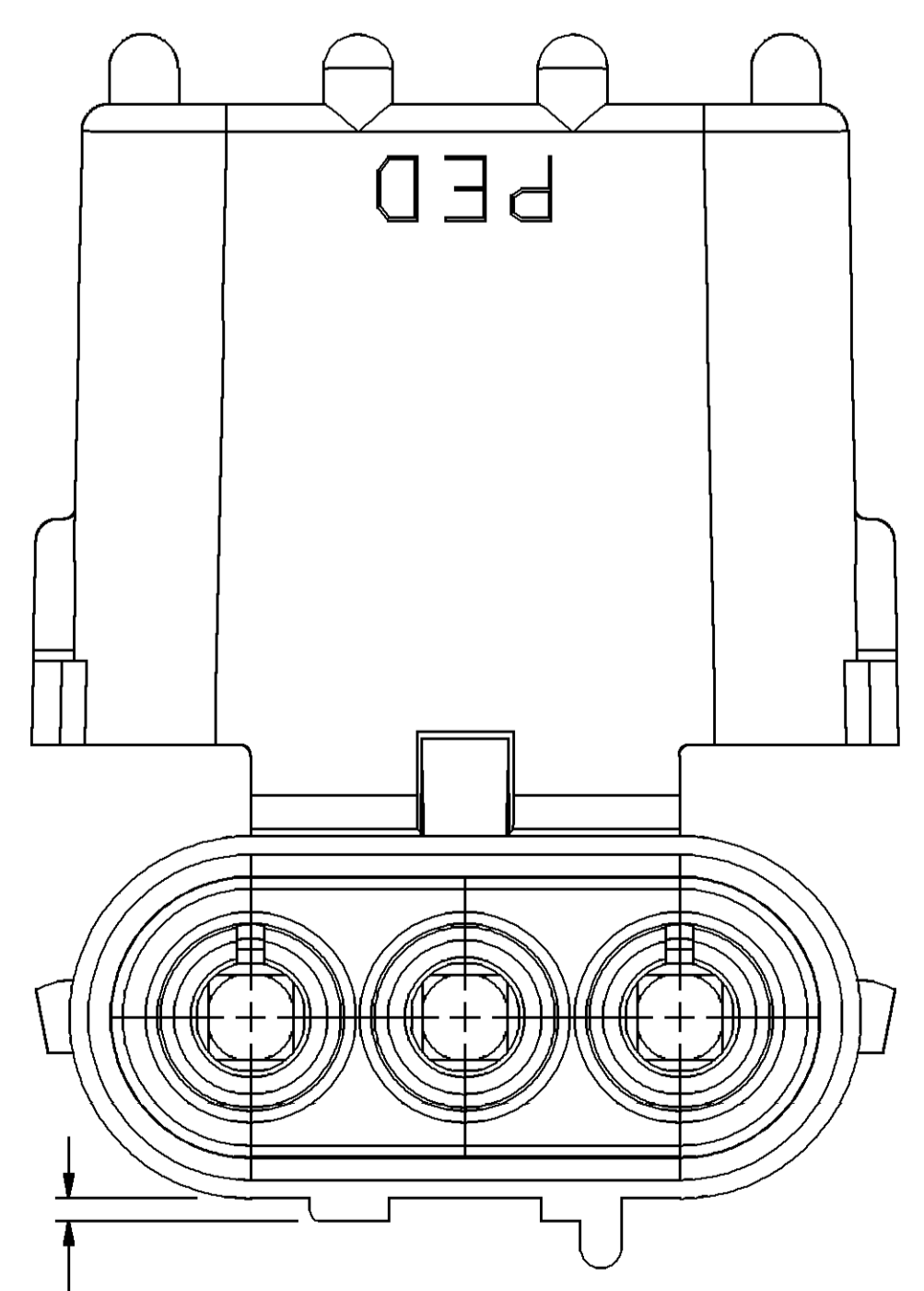
FLEX AREA MAY EXHIBIT MATERIAL SEPARATION AFTER FINAL ASSEMBLY.



PULL OUT RIBS PERMITTED ALONG THIS AND OPPOSITE SURFACE.

NOTES

- UNLESS OTHERWISE SPECIFIED AND/OR INDICATED: DIMENSIONS ARE TO FACE OF VIEW SHOWN AND AUTOMATICALLY ROUNDED BY COMPUTER FOR INSPECTION (SEE MATH MODEL FOR PRECISE DIMENSIONS). FOR ALL OTHER DIMENSIONS NOT SHOWN BUT REQUIRED FOR TOOL BUILD, SEE MATH MODEL FOR PRECISE TOOL PATH DATA.
- THIS PRODUCT IS NOT CATEGORIZED AS AN APPEARANCE ITEM, MINOR IMPERFECTIONS INCLUDING, BUT NOT LIMITED TO, FLOW MARKS, COLOR BLEMISHES, GATE VESTIGES, AND SOFT FLASH THAT DO NOT AFFECT THE FIT, FORM, OR FUNCTION OF THE PART ARE PERMISSIBLE PER DPNP-4.7-CS-01.
- FOR APPLICATION DATA SEE THE INDIVIDUAL APPLICATION DRAWINGS.
- CAUTION: DO NOT ATTEMPT TO COPY THIS DRAWING WHEN DESIGNING A MATING PART TO A WEATHER PACK CONNECTOR. PLEASE REQUEST THE LATEST COPY OF DRAWING NUMBER 12020084 FROM THE PACKARD ELECTRIC DIVISION
- MATERIAL RECYCLING CODE PER ISO 11469. (2.3)X(0.1) CHARACTERS AS SHOWN TO BE LOCATED ON ANY EXTERIOR SURFACE. OPTIONAL CONSTRUCTION TO BE NO MATERIAL RECYCLING CODE.
- (2.3)X(0.1) RAISED DELPHI CORPORATE BRAND TO BE LOCATED ON ANY EXTERIOR SURFACE, PREFERABLY VISIBLE AT FINAL ASSEMBLY. OPTIONAL CONSTRUCTION TO BE "PED" OR NO LOGO.
- TO VERIFY CONNECTOR PHYSICAL ATTRIBUTES OR APPEARANCE ITEMS, REFER TO VPS-226.



OPTIONAL CONSTRUCTIONS
TYPES 101 & 102

PART NO	REV	N/P	STATUS	MATERIAL SPECIFICATION AND COLOR	TYPE	VOLUME CM ³
13831309	01	AB		POLYAMIDE COMPOUND - BLK	103	7.895
12015460	07	AC		POLYAMIDE COMPOUND - BLU	101	7.923
12015092	07	AC		POLYAMIDE COMPOUND - RED	102	7.894
12010717	07	AC		POLYAMIDE COMPOUND - BLK	101	7.923

DIMENSIONAL RANGE (MM)		TOLERANCE		CHART EST	
FROM	TO	±	ANGULAR TOLERANCE	±	OF 1
0	20	±0.15	±0.2	±1	±1.2
20	30	±0.2	±0.3	±1	±1.2
30	40	±0.3	±0.4	±1	±1.2
40	50	±0.4	±0.5	±1	±1.2
50	60	±0.5	±0.6	±1	±1.2
60	70	±0.6	±0.7	±1	±1.2
70	80	±0.7	±0.8	±1	±1.2
80	90	±0.8	±0.9	±1	±1.2
90	100	±0.9	±1.0	±1	±1.2
100	150	±1.0	±1.1	±1	±1.2
150	200	±1.1	±1.2	±1	±1.2
200	250	±1.2	±1.3	±1	±1.2
250	300	±1.3	±1.4	±1	±1.2
300	400	±1.4	±1.5	±1	±1.2

DELPHI
DELPHI PACKARD ELECTRICAL/ELECTRONIC ARCHITECTURE
WARREN, OH

DRW TYPE	PART DRAWING
STYLE	
VOLUME (OMP)	SEE CHART
DISTR CODE	D
UNLESS OTHERWISE SPECIFIED	
THIS DOCUMENT IS IN ACCORDANCE WITH ASME Y14.5M-1994 AS MODIFIED BY THE 3D GLOBAL DIMENSIONING AND TOLERANCING ADDENDUM - 1997. ALL GEOMETRIC TOLERANCES AND RELATED DATUMS APPLY PER ASME Y14.5M-1994 AND Y14.5M-1994 ADDENDUM - 1997. ALL DIMENSIONS ARE IN MILLIMETERS UNLESS OTHERWISE SPECIFIED. SEPARATE POSITION CALLOUTS MAY BE SHOWN SEPARATELY, IRRESPECTIVE OF DIMENSION REFERENCE.	
ALL DIMENSIONS ARE IN MILLIMETERS	
DATE	16 JUL 79
DR	J.M. SOVA
APV02	T. MUDREY
APV03	J. YURTIN
APV04	
APV05	
SUBSTANCES OF CONCERN AND RECYCLED CONTENT PER DELPHI 10949901	
SEE CHART	
DRAWING NAME	TAXI CONN M W/P SHD SLD
DRAWING NUMBER	12015482
SIZE	A0
SCALE	4:1
FRAME NO	1 OF 1
SHEET NO	1 OF 1
REV	07
N/P	

Mouser Electronics

Authorized Distributor

Click to View Pricing, Inventory, Delivery & Lifecycle Information:

[Aptiv:](#)

[12015092](#) [12015092-B](#)