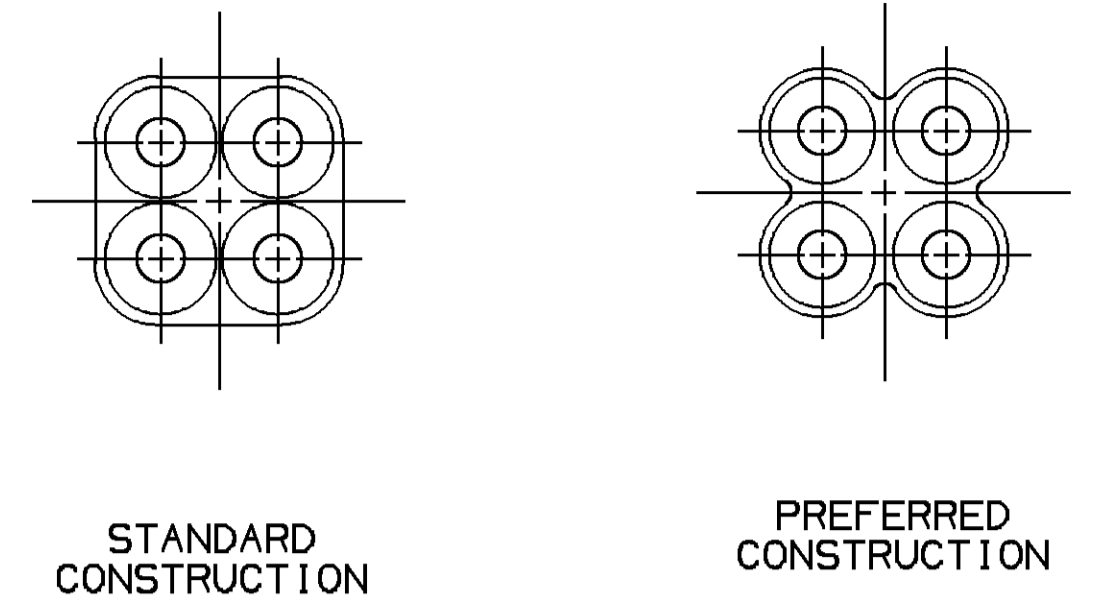
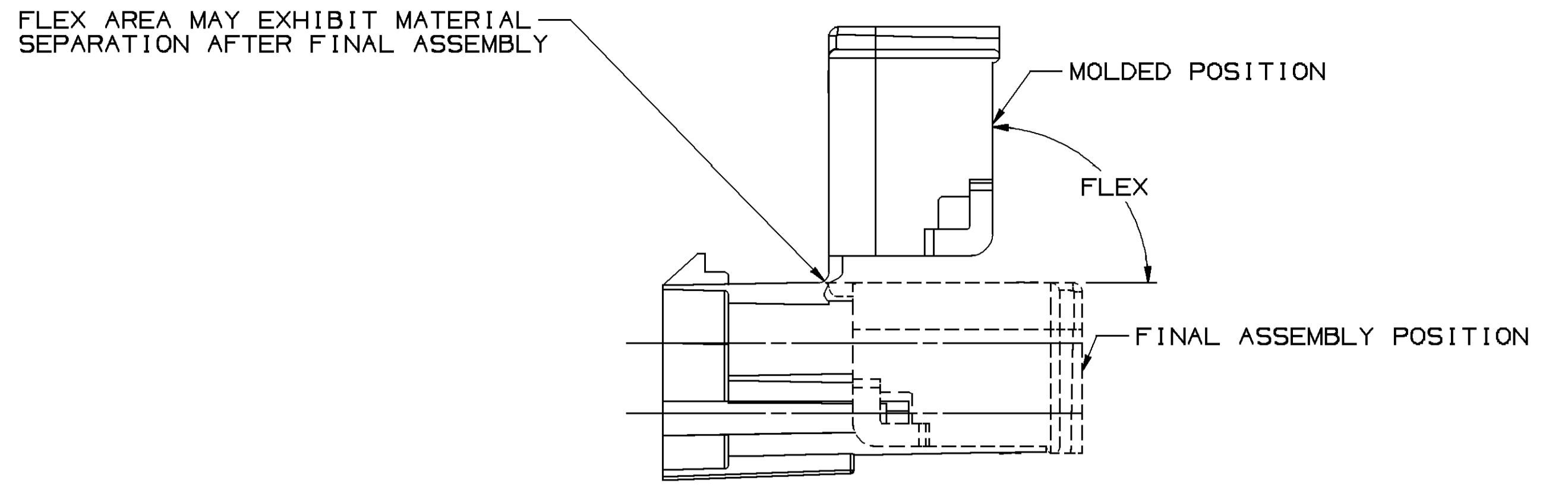


SYMBOL DEFINITION		TOTAL NO OF INSPECTIONS REQUIRED	MISSING SYMBOLS
A DIMENSION WITHOUT AN INSPECTION REPORT SYMBOL DOES NOT REQUIRE INSPECTION. IT MAY BE CONTROLLED ON THE INDIVIDUAL COMPONENT DRAWING.		25	NO MISSING SYMBOL NUMBER
		LAST NO. USED	14

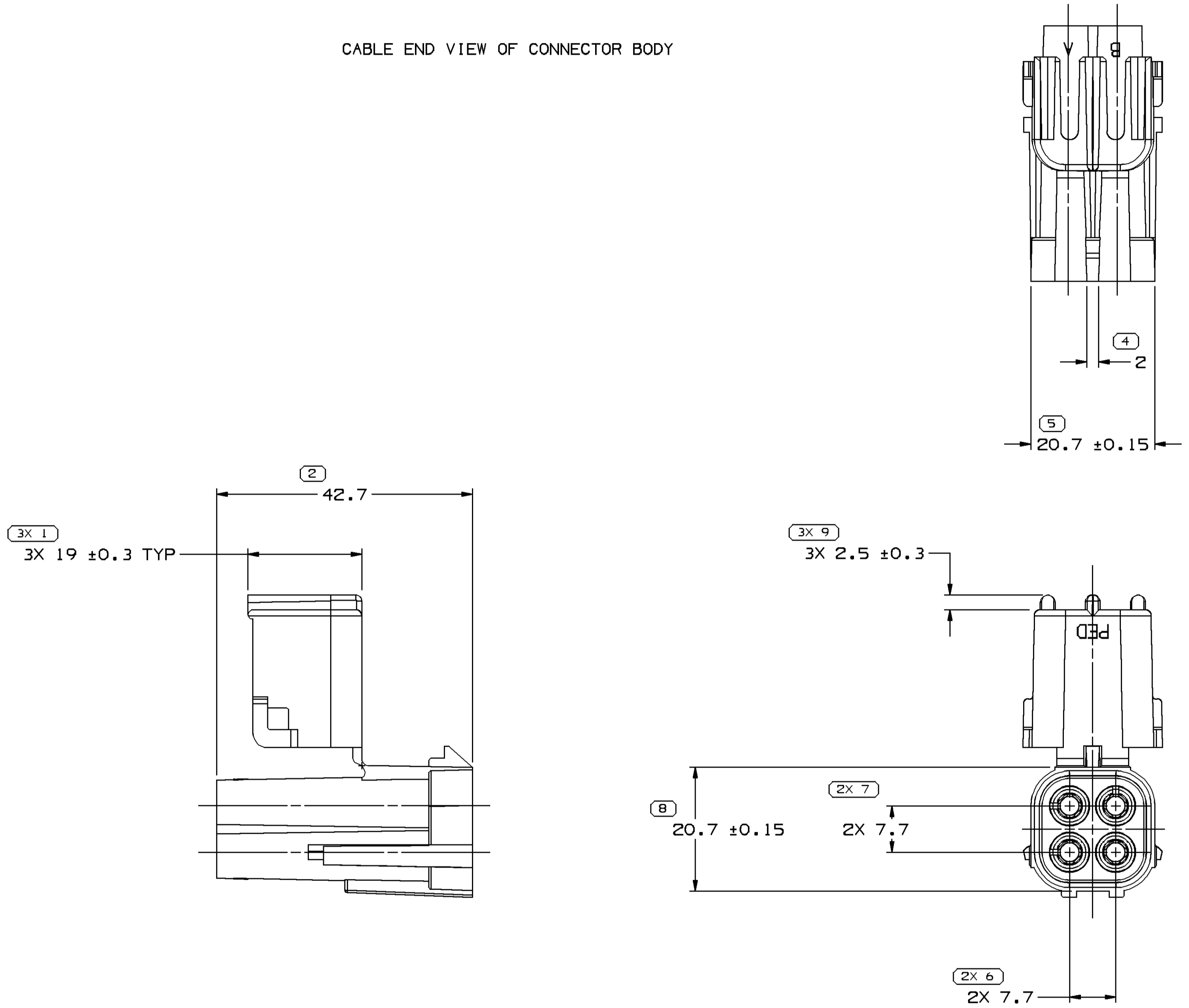
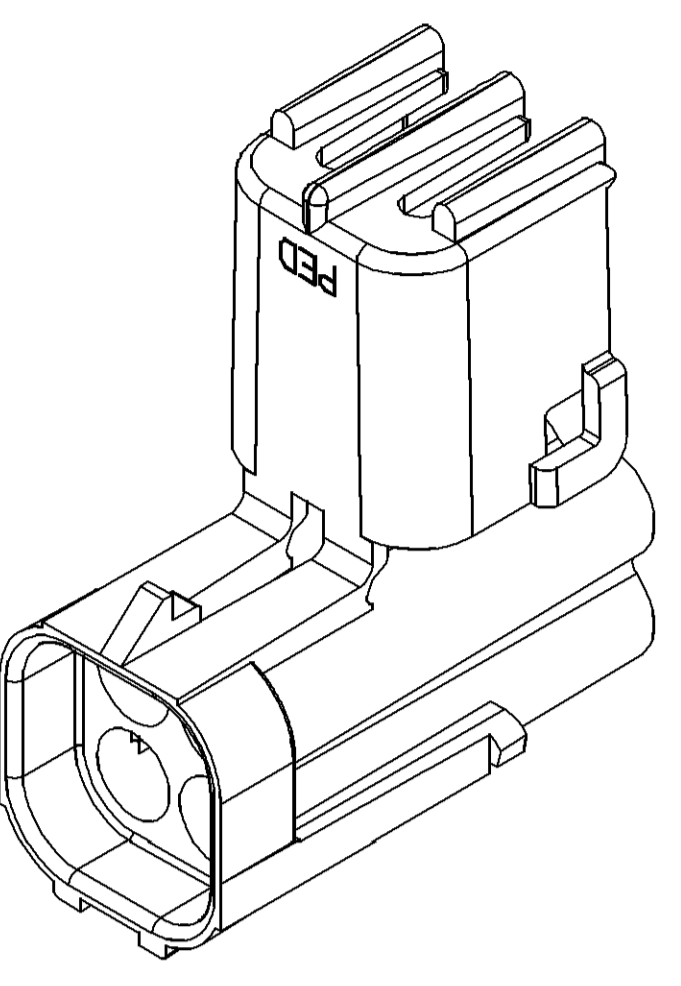
DWS STATUS					REVISION HISTORY			AUTH	DR	APVD	APVD	
DATE	STG	REV	N/P	CHG	ZONE							
03DE99	R	01	-	-		CLEARED REV COLUMN AND ALL PARTS - TAXI PD CREATED.			227356	LMM	JVM	EH
14JL08	R	02	-	-		12015024 - UPDATED MAT'L CALLOUT.			405393	JAR	DMC	AEC
08AU09	R	03	-	-		ALL ACTIVE PARTS - DIM 23.1 +0.15/-0.3 WAS 23.1 +/-0.15 DIM 20.3 +0.15/-0.3 WAS 20.3 +/-0.15 AND DIM 16.5 +0.15/-0.5 WAS 16.5 +/-0.15			408611	APR	MMC	APR
22JN11	R	04	-	-		12015024 - ADDED NONE APPEARANCE ITEM NOTE			414608	JRL	JRL	GM



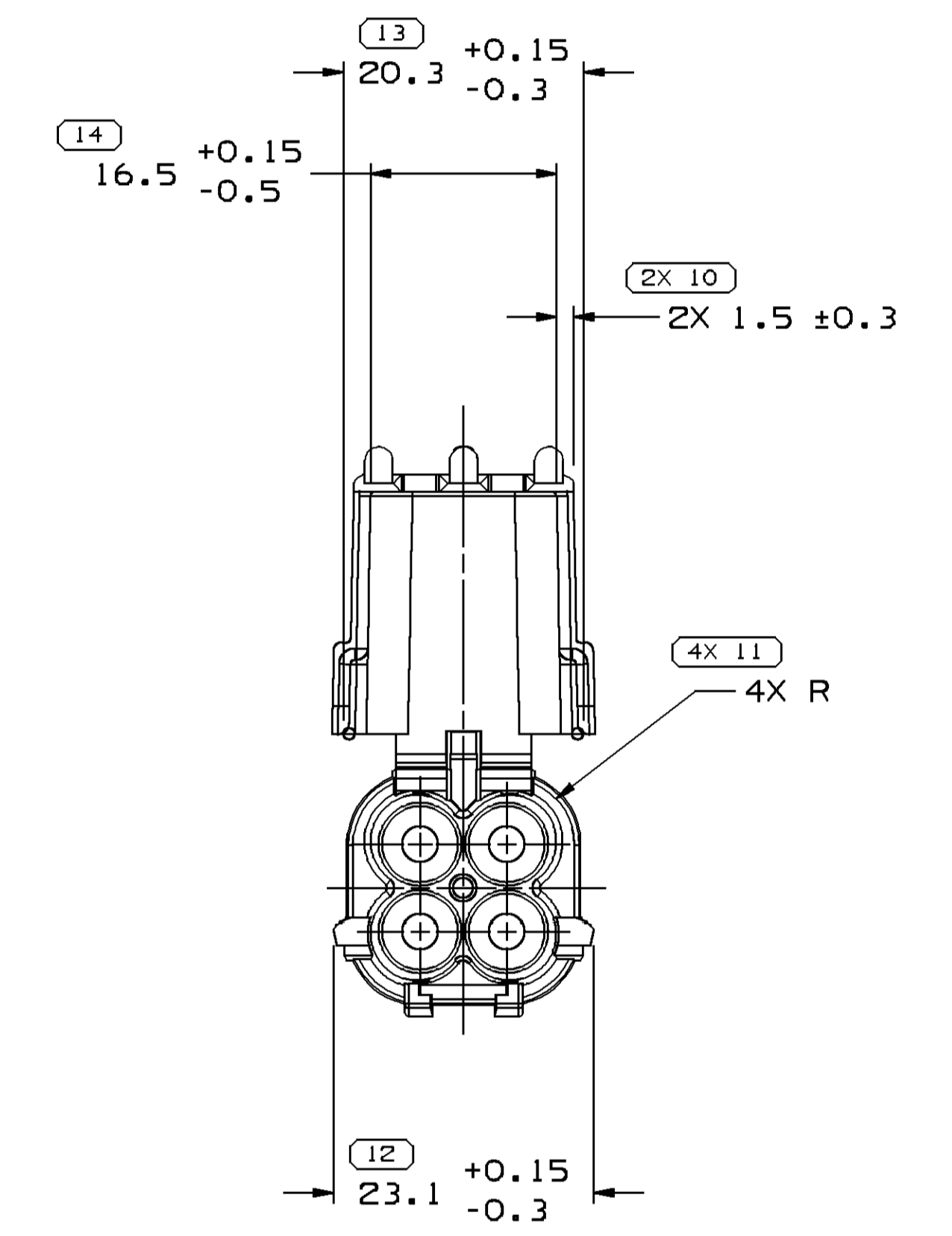
CABLE END VIEW OF CONNECTOR BODY



SECONDARY TERMINAL LOCK ASSEMBLY REQUIREMENT



INDEX CODE -4104- (ALSO SEE HANDBOOK)



NOTES

- UNLESS OTHERWISE SPECIFIED AND/OR INDICATED: DIMENSIONS ARE TO FACE OF VIEW SHOWN AND AUTOMATICALLY ROUNDED BY COMPUTER FOR INSPECTION. (SEE MATH MODEL FOR PRECISE DIMENSIONS.) FOR ALL OTHER DIMENSIONS NOT SHOWN BUT REQUIRED FOR TOOL BUILD, SEE MATH MODEL FOR PRECISE TOOL PATH DATA.
- SEALING CODE 3.
- THIS PART IS NOT CONTROLLED FOR AUTOMATIC FEEDING.
- CAUTION: DO NOT ATTEMPT TO COPY THIS DRAWING WHEN DESIGNING A MATING PART TO A WEATHER PACK CONNECTOR. PLEASE REQUEST THE LATEST COPY OF DRAWING NUMBER 12020084 FROM THE PACKARD ELECTRIC DIVISION.
- MATERIAL RECYCLING CODE PER ISO 11469. (2.3)X(0.1) CHARACTERS AS SHOWN TO BE LOCATED ON ANY EXTERIOR SURFACE. OPTIONAL CONSTRUCTION TO BE NO MATERIAL RECYCLING CODE.
- (2.3)X(0.1) DELPHI CORPORATE BRAND TO BE LOCATED ON ANY EXTERIOR SURFACE, PREFERABLY VISIBLE AT FINAL ASSEMBLY. OPTIONAL CONSTRUCTION FOR EXISTING TOOLING MAY BE "PED" OR NO LOGO.
- FOR APPLICATION DATA SEE THE INDIVIDUAL APPLICATION DRAWINGS.
- THIS PRODUCT IS NOT CATEGORIZED AS AN APPEARANCE ITEM, MINOR IMPERFECTIONS INCLUDING, BUT NOT LIMITED TO, FLOW MARKS, COLOR BLEMISHES, GATE VESTIGE, AND SOFT FLASH THAT DO NOT AFFECT THE FIT, FORM, OR FUNCTION OF THE PART ARE PERMISSIBLE PER DPNP-4.7-CS-01.

PART NO	REV	N/P	STATUS	MATERIAL SPECIFICATION AND COLOR	APPLICATION	VOLUME (CM <sup>3</sup> )
12160904	A	-	OBSOLETE	POLYAMIDE COMPOUND GRAY MD	IN LINE	8.332
12015024	E6	-		POLYAMIDE COMPOUND BLACK	IN LINE	8.332

DIMENSIONAL RANGE (MM)	CHART SET
FROM > 0	> 20
> 20	> 30
> 30	> 40
> 40	> 50
> 50	> 60
> 60	> 70
> 70	> 80
> 80	> 90
> 90	> 100
> 100	> 150
> 150	> 200
> 200	> 250
> 250	> 300
> 300	> 400
> 400	> 500
> 500	> 600
> 600	> 700
> 700	> 800
> 800	> 900
> 900	> 1000

**DELPHI**  
DELPHI PACKARD ELECTRICAL/ELECTRONIC ARCHITECTURE  
WARREN, OH

DATE: 11-20-11

APR01 L. MACIAS, 03DE99  
APR02 J. VILLAMIL, 17DE99  
APR03 J. VILLAMIL, 17DE99  
APR04

THIS DOCUMENT IS IN ACCORDANCE WITH ASME Y14.5M-1994 AS MODIFIED BY THE 2003 SUPPLEMENT AND TELEPACING ADDENDUM-2001. SEPARATE PATTERNS OF FEATURES MAY BE SHOWN SEPARATELY. RESPONSIBILITY OF DATUM REFERENCES.

ALL DIMENSIONS ARE IN MILLIMETERS

UNLESS OTHERWISE SPECIFIED

REFERENCE: TAXI CONN M W/P SHD SLD

DRAWING NUMBER: 12160905

SIZE: A0 SCALE: 2:1 FRAM: NO 1 SHEET NO: 1 OF 1 STG: REV: N/P 04

# Mouser Electronics

Authorized Distributor

Click to View Pricing, Inventory, Delivery & Lifecycle Information:

[Aptiv:](#)

[12015024](#) [12015024-B](#)