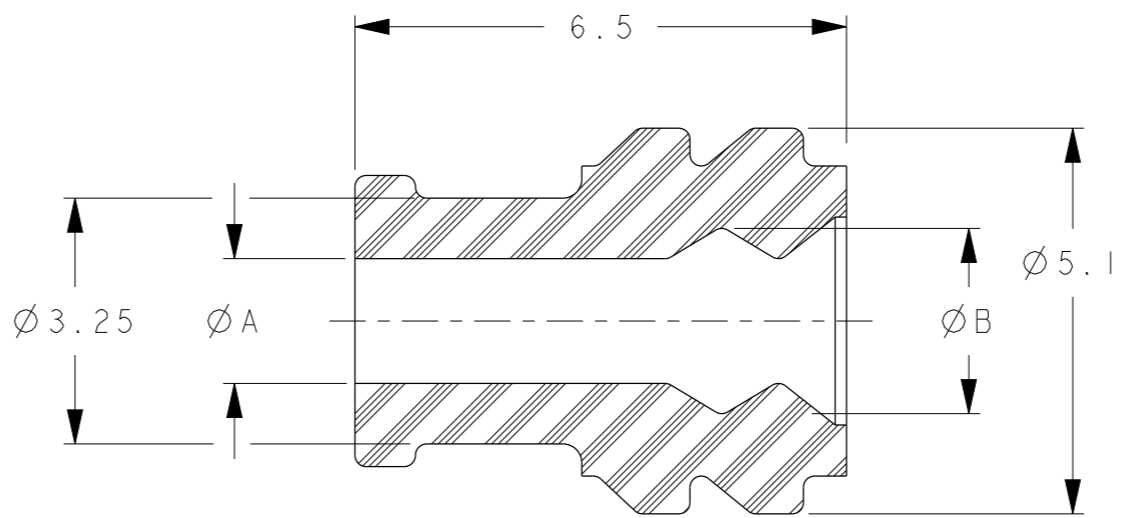
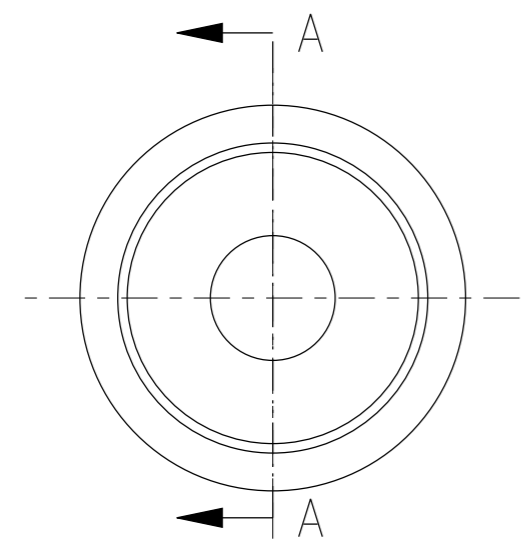
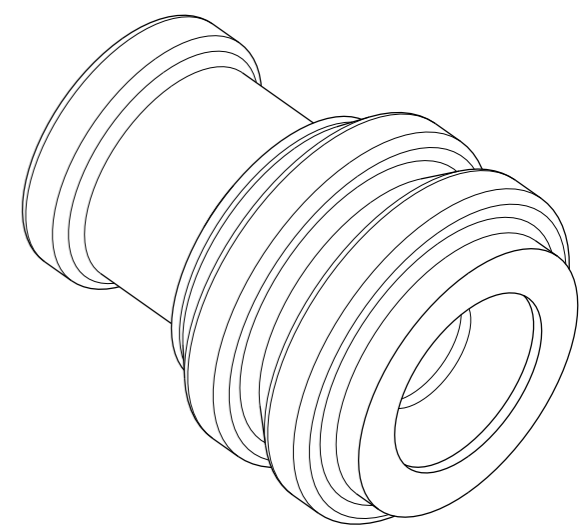


A-0419	C528010	13898958	1.65mm	2.45mm	18-16 AWG 1.00-1.25mm ²	1.90-2.41mm	RUST RED	SEE NOTE 2
A-0419B	C073510	33511987	0.90mm	1.65mm	0.35mm ²	1.20-1.40mm	TAN	SEE NOTE 3
A-0419C		33402838	1.25mm	2.10mm	22-20 AWG 0.50-0.75mm ²	1.40-1.90mm	GREEN	SEE NOTE 4
QSR	MVL	DELPHI	"A" DIA	"B" DIA	WIRE SIZE	INSULATION DIA RANGE	COLOR	MATERIAL
PART NUMBERS								



SECTION A - A

UNLESS OTHERWISE SPECIFIED:

- PART TO BE MOLDED FREE FROM FLASH, VOIDS, STRESSES, IMPERFECTIONS AND TOOL MARKS THAT AFFECT FUNCTION OR HANDLING OF THE PART
- MATERIAL: SILICONE, QSR COMPOUND #A2700RR5 INHERENTLY LUBRICATED ELASTOMER PER ESB-M2D280-A DUROMETER 23-31 SHORE A OIL 5%
- MATERIAL: SILICONE, QSR COMPOUND #A2700TAN5 INHERENTLY LUBRICATED ELASTOMER PER ESB-M2D280-A DUROMETER 23-31 SHORE A OIL 5%
- MATERIAL: SILICONE, QSR COMPOUND #A2700GN5 INHERENTLY LUBRICATED ELASTOMER PER ESB-M2D280-A DUROMETER 23-31 SHORE A OIL 5%

HARNESS SUPPLIERS MUST PURCHASE FROM SOURCE(S) SHOWN

ECN-13-01212	-	RELEASED PART NUMBER 33402838, ADD PART NUMBERS 13898958 & 33511987	
	NOTES	ADD NOTE 4	
ECN-12-01279	-	ADD PART NUMBER C073510, ADD NOTE 3, REVISE CHART	
	D5	Ø A WAS 1.65	
	D3	Ø B WAS 2.45	
11931	ALL	NEW RELEASE	
ECN-NO.	ZONE	CHANGE DESCRIPTION	
PRODUCT SPEC.	PACKAGING SPEC.	APPLICATION SPEC.	COPYRIGHT DELPHI CORPORATION AND/OR ITS AFFILIATES. ALL RIGHTS RESERVED. REVISED THIS DRAWING IS THE PROPERTY OF DELPHI CORPORATION AND CONTAINS DELPHI CONFIDENTIAL INFORMATION. THE REPRODUCTION, DISTRIBUTION AND UTILIZATION OF THIS DOCUMENT OR ITS RELATED CAD MATH DATA, AS WELL AS COMMUNICATION OF ANY CONTENT TO OTHERS, WITHOUT EXPRESS AUTHORIZATION, IS PROHIBITED.
TOLERANCES	MATERIAL : SILICONE	SURFACE FINISH	DELPHI DELPHI PACKARD ELECTRICAL/ELECTRONIC ARCHITECTURE NOVI, MI
COUNTERPART Nr.	COLOUR : SEE CHART		C 3RD ANGLE DIMENSION IN MILLIMETERS
DO NOT MEASURE DRAWING	TOOL NO. -	ECO Loc. Code AN	DWG SIZE A3
CREATED BY	DATE	NAME	TITLE
MODIFIED BY	2011/04/06	S s RAMASAMY	CABLE SEAL
CHECKED BY	2013/11/08	Matt MAJOR	PROJECT
APPROVED BY	2013/11/08	Bob CUE	1.2 SENSOMATE SEALED CONNECTOR
FILE NAME	2013/11/08	Jeff CAMPBELL	ESR NO. - CAT. NO. -
	PCC0734043		DOCUMENT UNDER PDS CONTROL NO MODIFICATION ALLOWED OUTSIDE

DELPHI DELPHI PACKARD ELECTRICAL/ELECTRONIC ARCHITECTURE NOVI, MI	CAD SYSTEM pro / eng.
C 3RD ANGLE	DWG SIZE A3
DRAWING NUMBER PCC0734043	REV. C
STATE SERIAL RELEASED	SHEET 1 of 1
PART NUMBER See Table	APPROVAL LEVEL -
	SCALE 1:1

EUR C04 112 F29 PDS

Mouser Electronics

Authorized Distributor

Click to View Pricing, Inventory, Delivery & Lifecycle Information:

[Aptiv:](#)

[33402838](#)