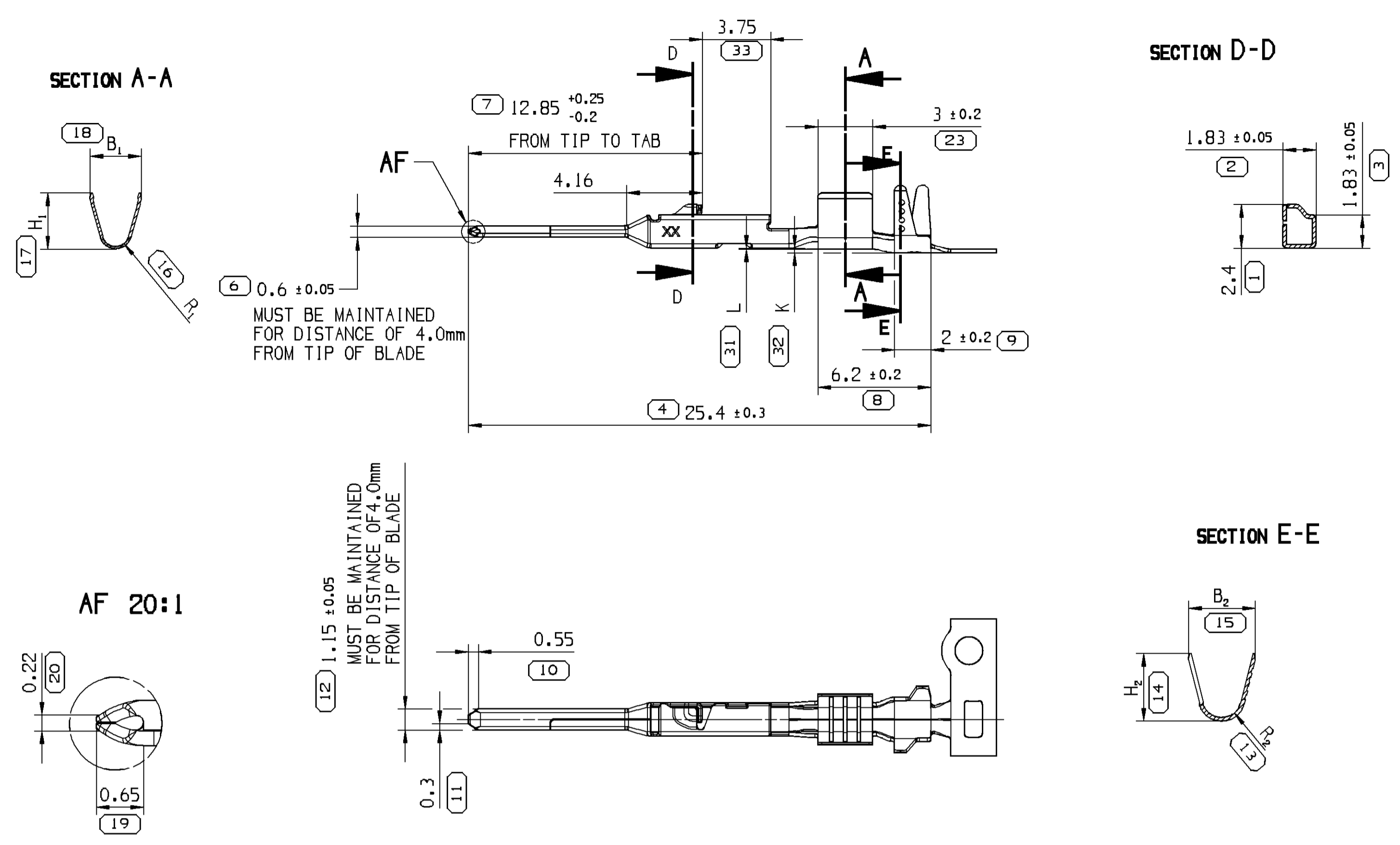
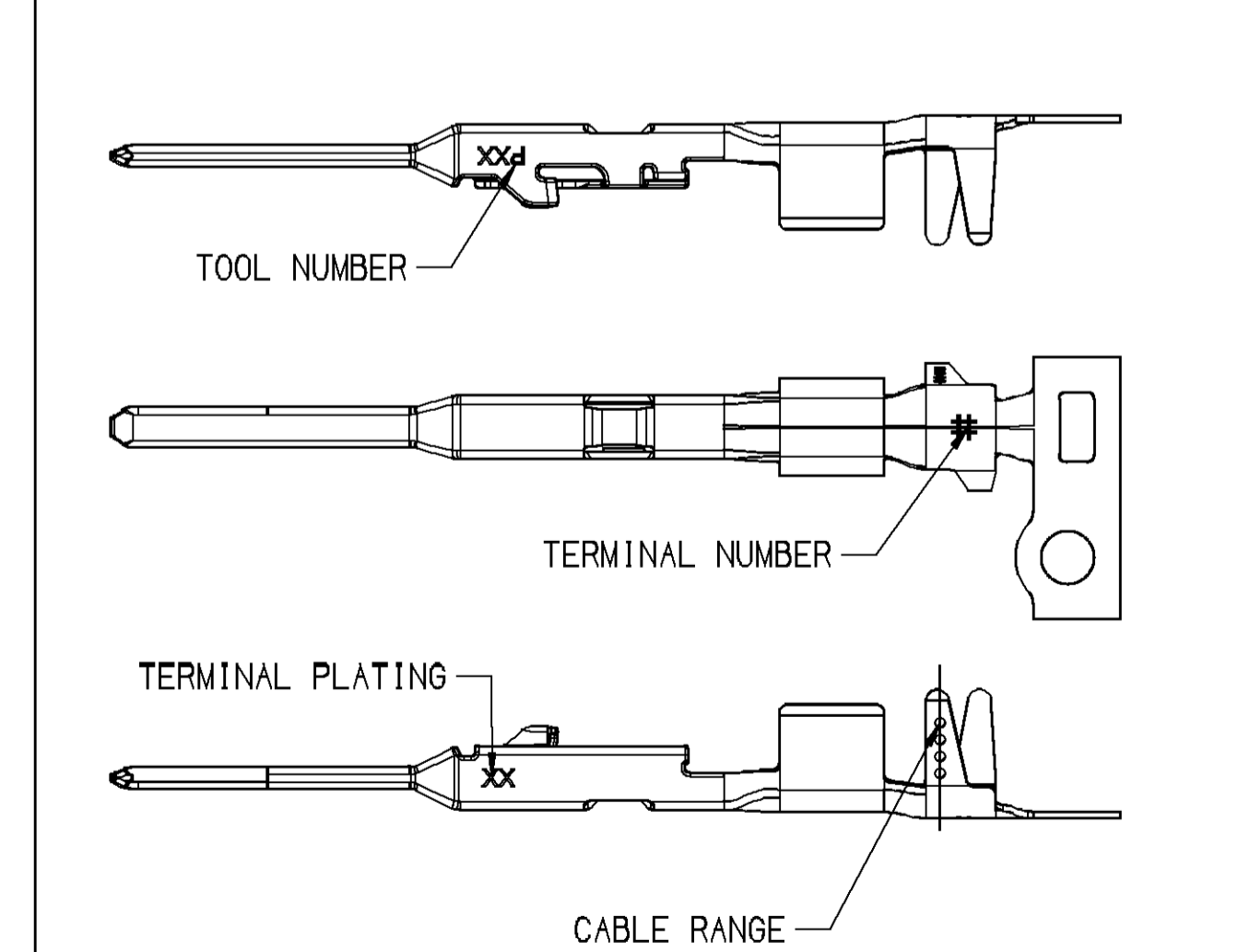
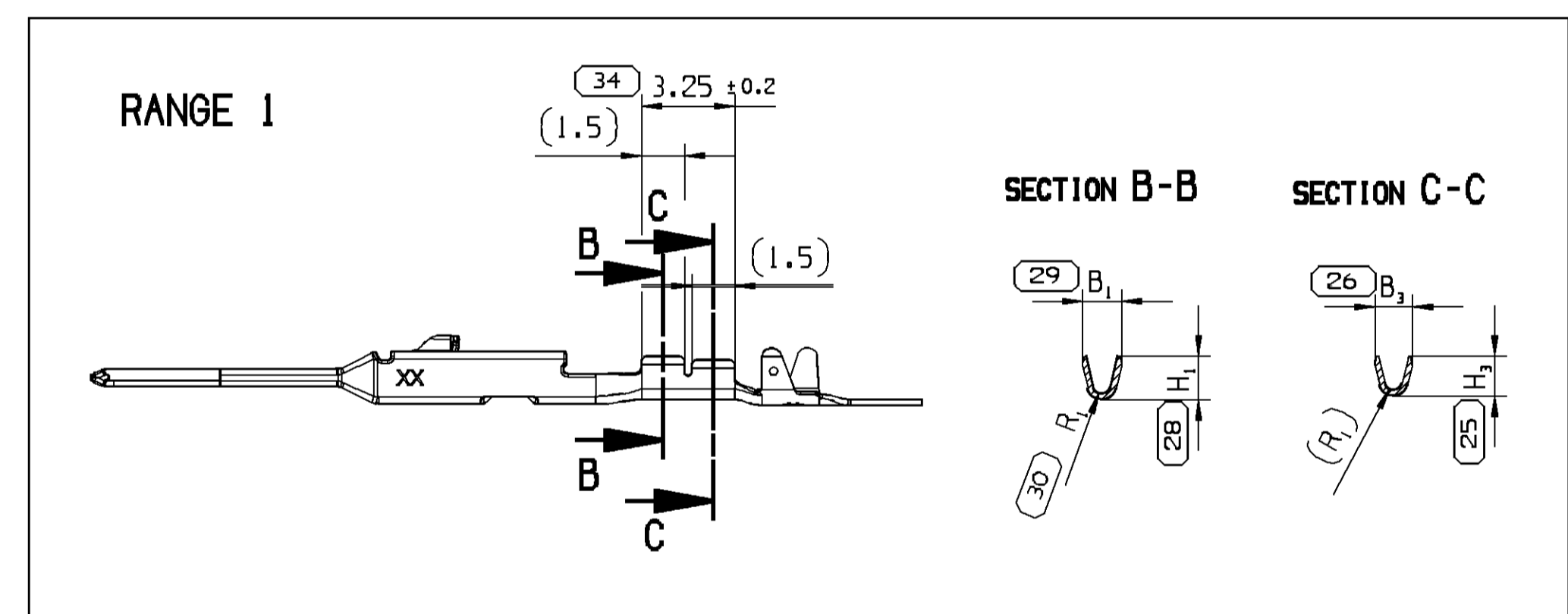
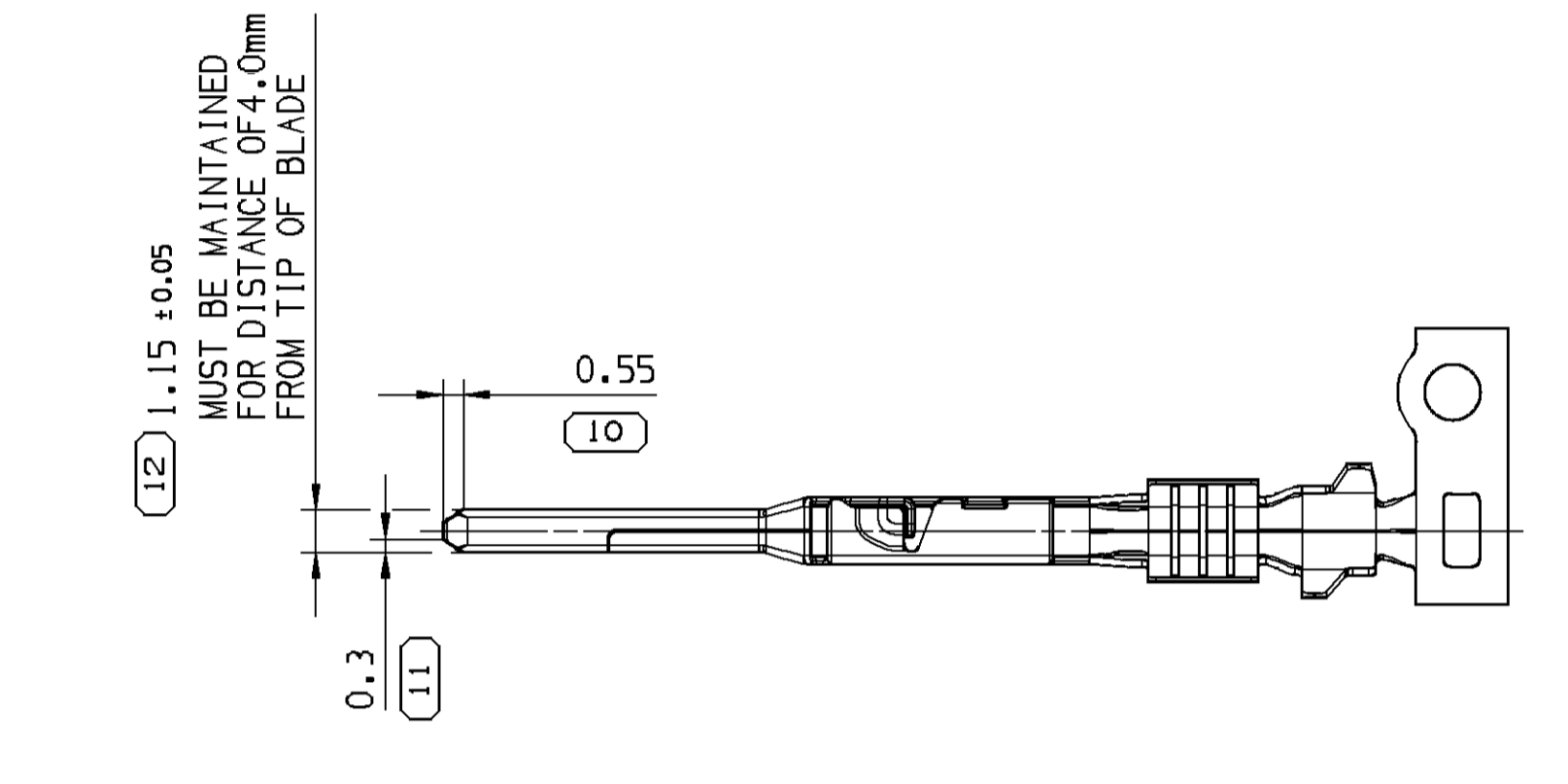


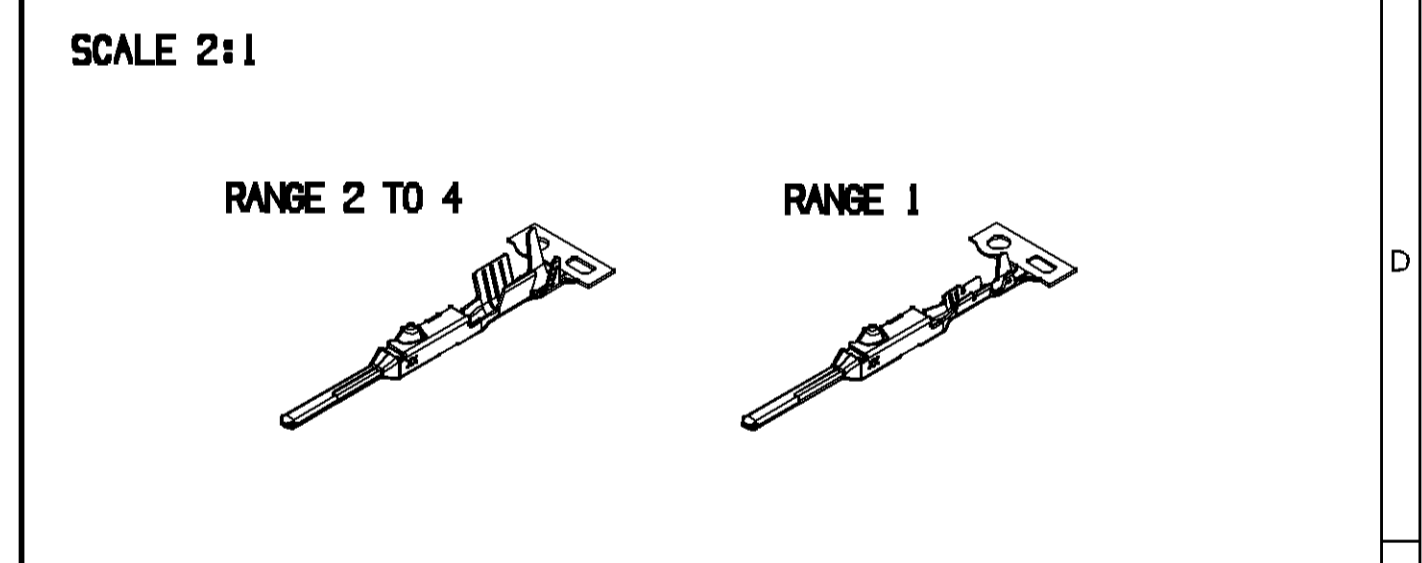
DWG STATUS				ZONE	REVISION HISTORY		AUTH	DR	APVD 1	APVD 2
DATE	STG	REV	N/P	P/CHG						
30JUN16	R	01				INITIAL ISSUE			P.BAL	A.ELM



NOTES  
 1. CRIMPING SPEC DELPHI :16-007  
 2. ( ) DIMENSIONS FOR INFORMATION ONLY



NOMBRE DE DIMENSIONS NUMEROTEES QUANTITY OF NUMBERING DIMENSIONS	33
Numero non utilise Numbering not used	5, 21
Dernier numero utilise Last number used	34



**DELPHI**  
 DELPHI PACKARD ELECTRICAL/ELECTRONIC ARCHITECTURE  
 Eparrion, France  
 COPYRIGHT 2015 DELPHI CORPORATION AND/OR ITS AFFILIATES.  
 ALL RIGHTS RESERVED.

THIS DRAWING IS THE PROPERTY OF DELPHI CORPORATION AND CONTAINS DELPHI CONFIDENTIAL INFORMATION. THE REPRODUCTION, DISTRIBUTION AND UTILIZATION OF THIS DOCUMENT OR ITS RELATED CAD MATH DATA, AS WELL AS COMMUNICATION OF ANY CONTENT TO OTHERS, WITHOUT EXPRESS AUTHORIZATION, IS PROHIBITED.

CE PLAN EST LE PROPRIETE DE DELPHI CORPORATION ET CONTIENT DES INFORMATIONS DELPHI CONFIDENTIELLES. LA REPRODUCTION, LA DISTRIBUTION ET L'UTILISATION DE CE DOCUMENT OU DE SES DONNEES MATHÉMATIQUES CAD, ANSI QUE LA COMMUNICATION DE TOUT CONTENU À AUTRUI, SANS AUTORISATION EXPRESSE EST INTERDITE.

DR	P.BALAJI	DATE	04NO15
APVD1	A.ELMANFALOUTI		04NO15
APVD2			
APVD3			
APVD4			
APVD5			

SUBSTANCES OF CONCERN AND RECYCLED CONTENT PER DELPHI 10949001  
 MATIERES PROSCRITES ET CONTENU RECYCLABLE SECON DELPHI 10949001

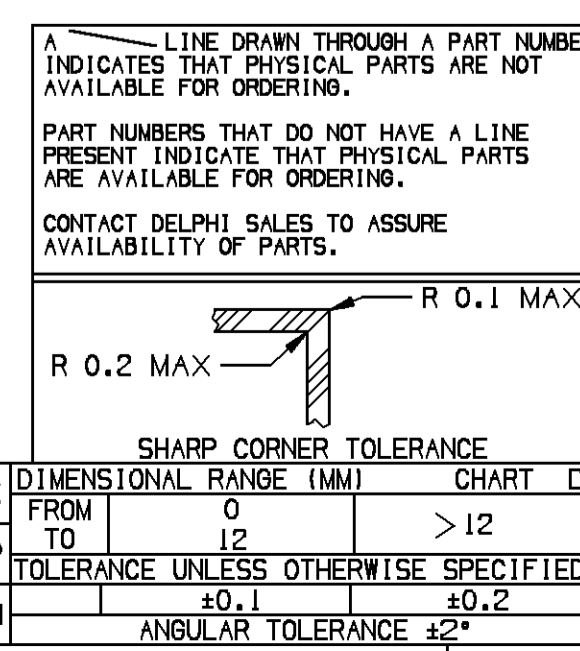
MATERIAL: SEE CHART  
 VOIR TABLEAU

DRAWING NAME: MALE TERMINAL OCS 120

DRAWING NUMBER: **33265586**

SIZE	SCALE	FRAME NO	SHEET NO	STG	REV	N/P
A1	5:1	1 OF 1	1 OF 1	R	01	

PART NUMBER	IND. REV.	GAMME SERTISSAGE CRIMPING RANGE (mm <sup>2</sup> )	Ø ISOLANT INSULATION (mm)	CABLE RANGE	RANGE	POIDS WEIGHT (g)	MATIERE MATERIAL	RETEMENT PLATING	EPAISSEUR THICKNESS (mm)	B <sub>1</sub> ±0.2 (mm)	B <sub>2</sub> ±0.3 (mm)	B <sub>3</sub> ±0.2 (mm)	H <sub>1</sub> ±0.2 (mm)	H <sub>2</sub> ±0.2 (mm)	H <sub>3</sub> ±0.2 (mm)	R <sub>1</sub> ±0.2 (mm)	R <sub>2</sub> ±0.2 (mm)	K (mm)	L (mm)
33265581	01	0.13-0.22	0.85-1.25	∅	1	0.204	Cu Ni Si	HOT DIP TIN Sn (1.2-3.5µm)	0.2	1.39	2.00	1.33	1.54	2.00	1.42	0.28	0.53	-0.05	0.15
33265583	01	0.35-0.50	1.25-1.70	∅	2	0.216				1.80	3.03	/	1.96	3.03	/	0.40	0.83	-0.05	0.15
33265584	01	0.75-1.00	1.60-2.15	∅∅	3	0.226				2.45	3.45	/	2.63	3.45	/	0.59	0.96	-0.05	0.15
33265585	01	1.25-1.50	2.00-2.40	∅∅∅	4	0.236				2.80	3.70	/	3.08	3.71	/	0.65	1.04	-0.25	-0.05



# Mouser Electronics

Authorized Distributor

Click to View Pricing, Inventory, Delivery & Lifecycle Information:

[Aptiv:](#)

[33265581-L](#) [33265581-MR](#)