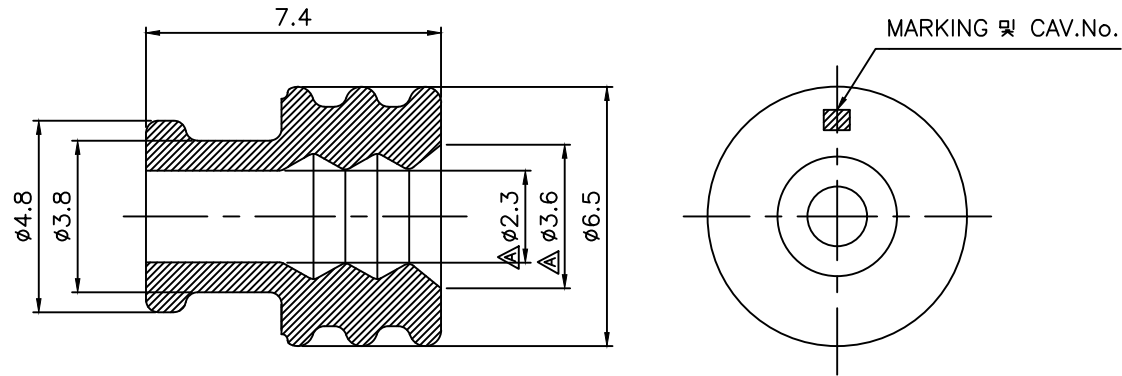
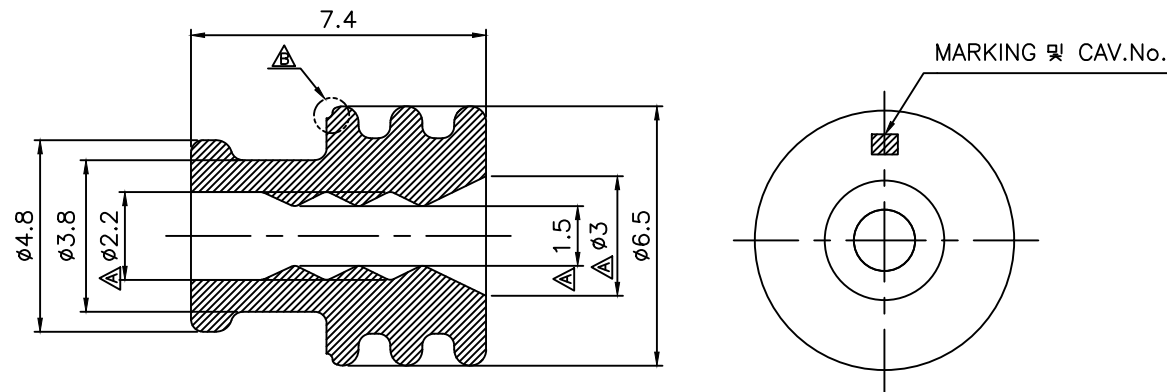


CUSTOMER DRAWING

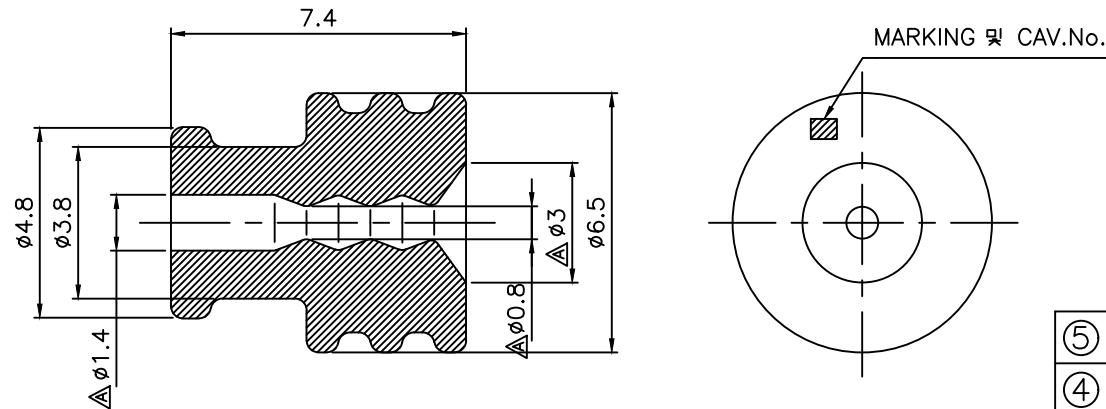
① W/S WWP-L



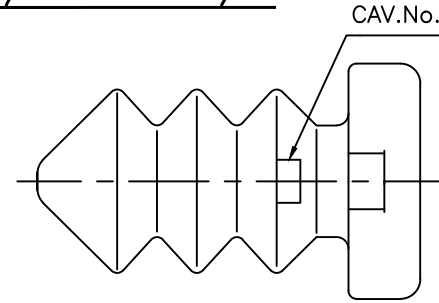
② W/S WWP-S



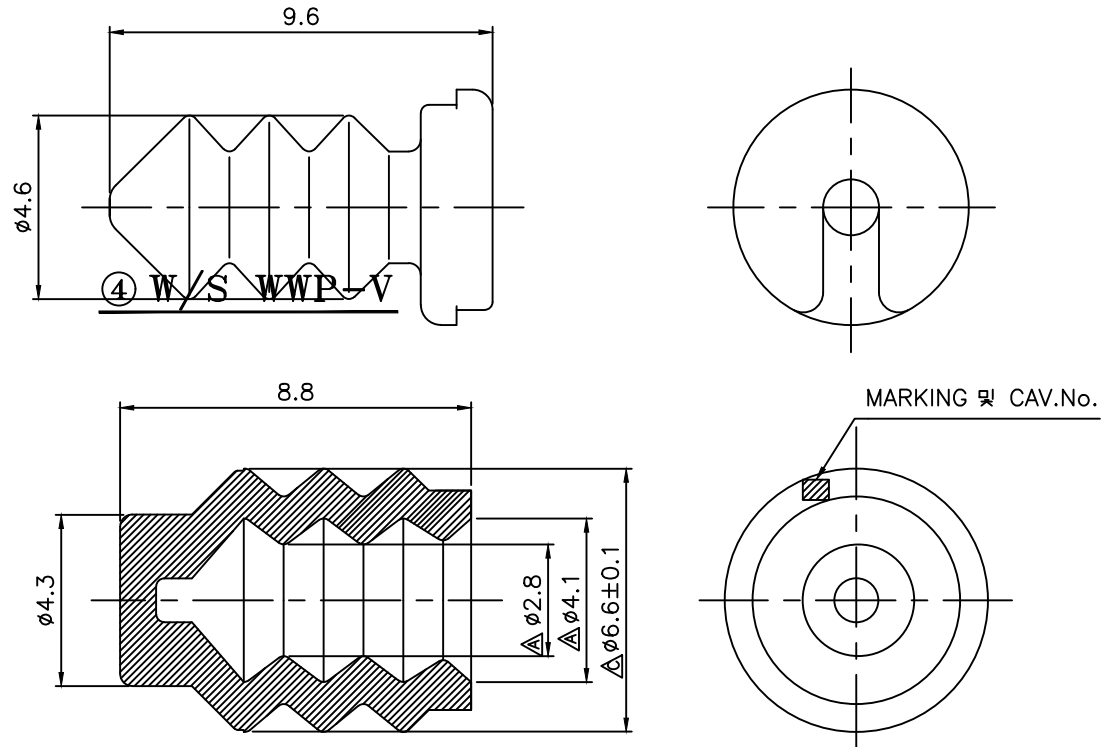
③ W/S WWP-SC



⑤ W/S WWP-S/P



④ W/S WWP-V



- NOTE -

- MARKING & CAV No. BY AS A GENERAL RULES OF KUM.
- APPLICATION CONNECTOR: WWP CONN. RECEP.
- APPLICATION WIRE.

APPLICATION WIRE(SQ)	KUM PART NAME	KUM P/NO.	APTIV P/NO.
AV, AVS, AVX, AEX 1.25~2 / AVSS 2	W/S WWP-L(BR)	RS130-01000	15458498
AV,AVSQ.3~0.85/AVX,AEX0.5~0.85/AVSS1.25	W/S WWP-S(B)	RS130-03000	15518641
AVSS 0.3~0.85	W/S WWP-SC	RS130-06000	35296484
SEALED PIN	WWP S/P ASSY	PZ001-14021	35296483

① 4. APTIV Drawing No : 35352660

GENERAL TOLERANCE							
	10MAX	50MAX	100MAX	150MAX	200MAX	200VR	ANGLE
A	±0.2	±0.3	±0.5	±0.8	±1.0	±1.4	±30'

NO.	KUM PART NAME	KUM P/NO.	APTIV P/NO.	COLOR	MATERIAL
⑤	W/S WWP - S/P(B)	PZ001-14020	35297099	BLACK	PA
④	W/S WWP - V(LGN)	RS750-01000	35297118	LIGHT GREEN	☑ SILICONE RUBBER
③	W/S WWP - SC	RS130-06000	35296484	RASPBERRY	☑ SILICONE RUBBER
②	W/S WWP - S(B)	RS130-03000	15518641	BLACK	☑ SILICONE RUBBER
①	W/S WWP - L(BR)	RS130-01000	15458498	BROWN	☑ SILICONE RUBBER

THIRD ANGLE PROJECTION	A	5/1	KDK	SSJ	CJW
TOLERANCE	SCALE	DESIGN	DRAWN	CHECKED	APPROVED

DATE	NOTE NO.	SYM	ALTERATION	DWN
19.08.02	-	①	ADDED APTIV P/No.	KYB
CJW 12.04.30	E012-0077	②	ADDED TOLERANCE(1EA)	PYI
KKL 05.01.17	AE05003	③	CHANGED SHAPE(1EA)	SSJ
KKL 95.07.24	-	④	ADDED DIMENSION(10EA)	KDK
CJW 94.07.25	-	⑤	RELEASED	KKL

DRAWING NAME: W/S WWP-L(BR)
 DRAWING NO.: RS130-01000-C01



Mouser Electronics

Authorized Distributor

Click to View Pricing, Inventory, Delivery & Lifecycle Information:

[Aptiv:](#)

[35296484](#)