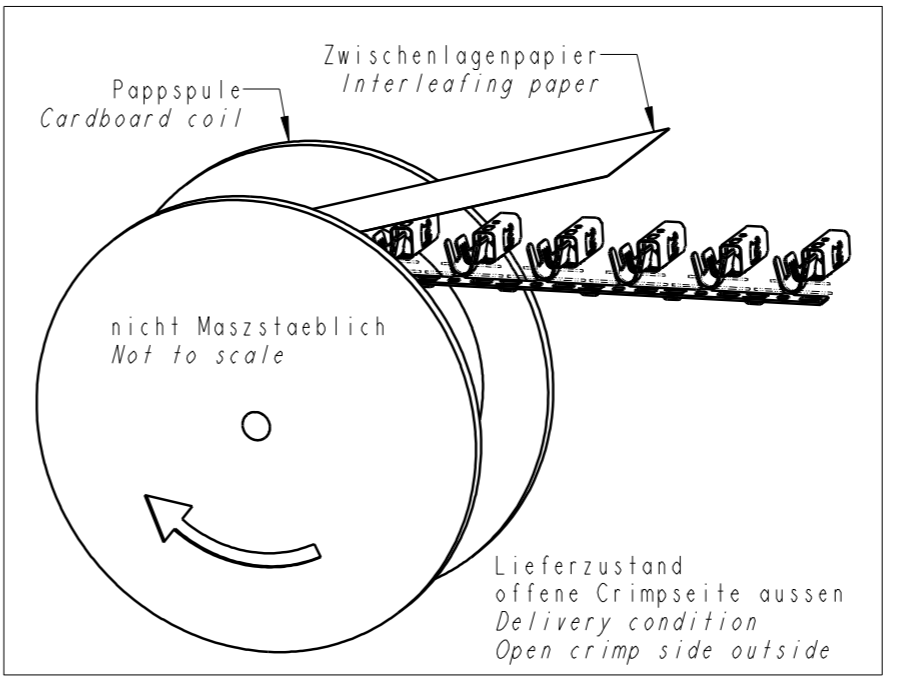
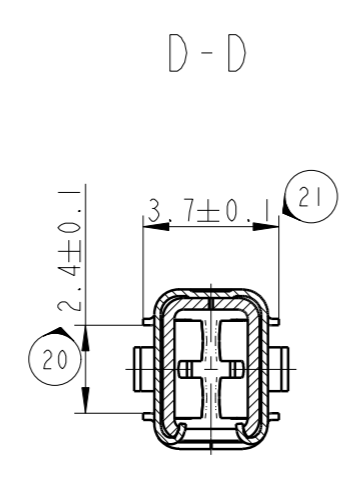
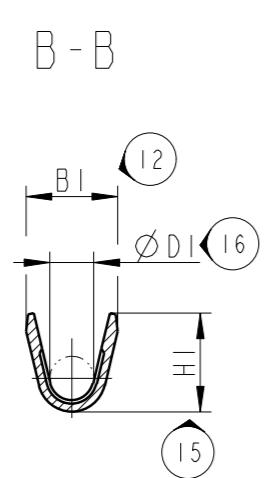
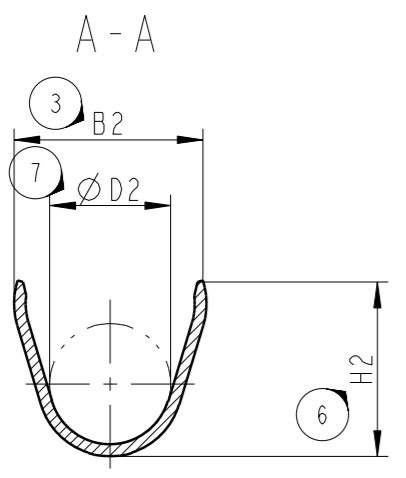
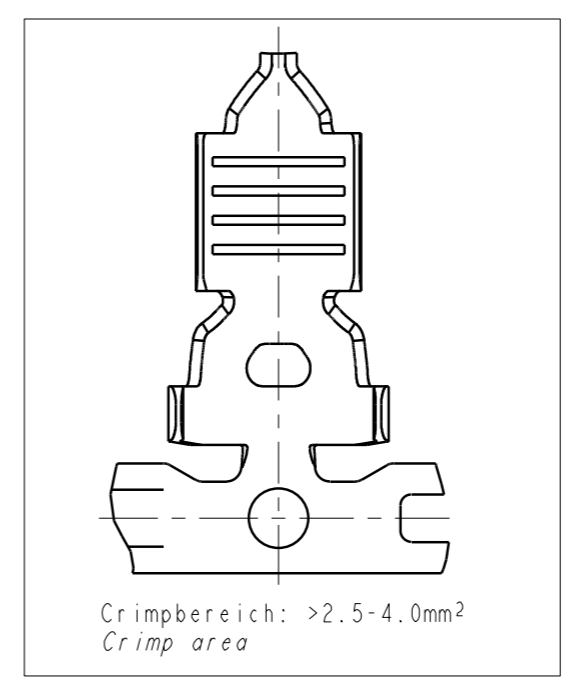
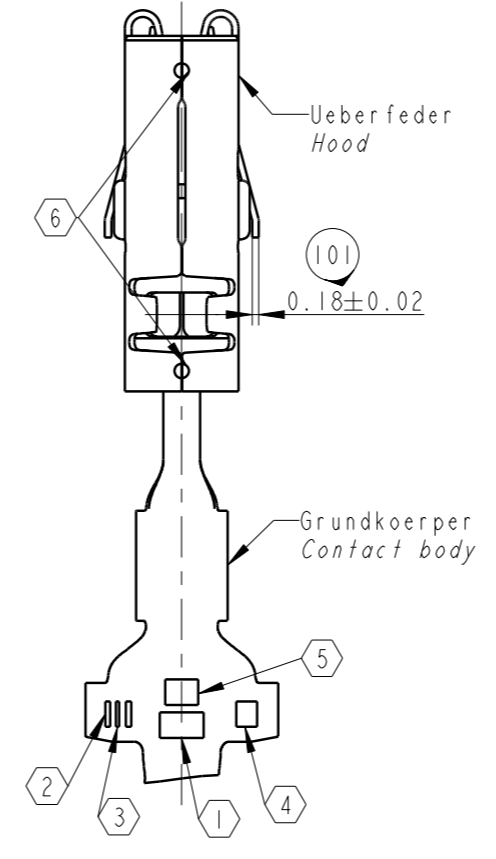
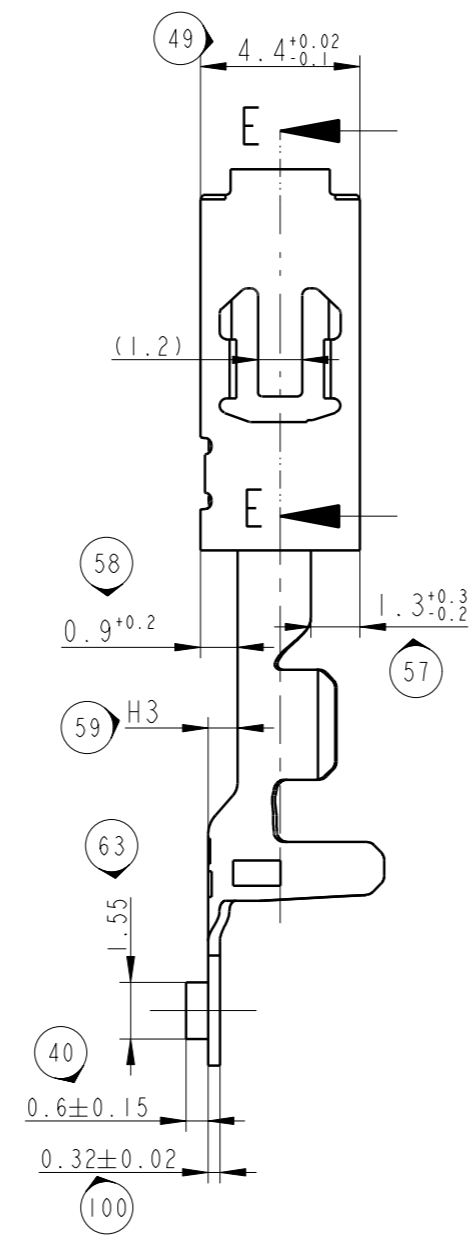
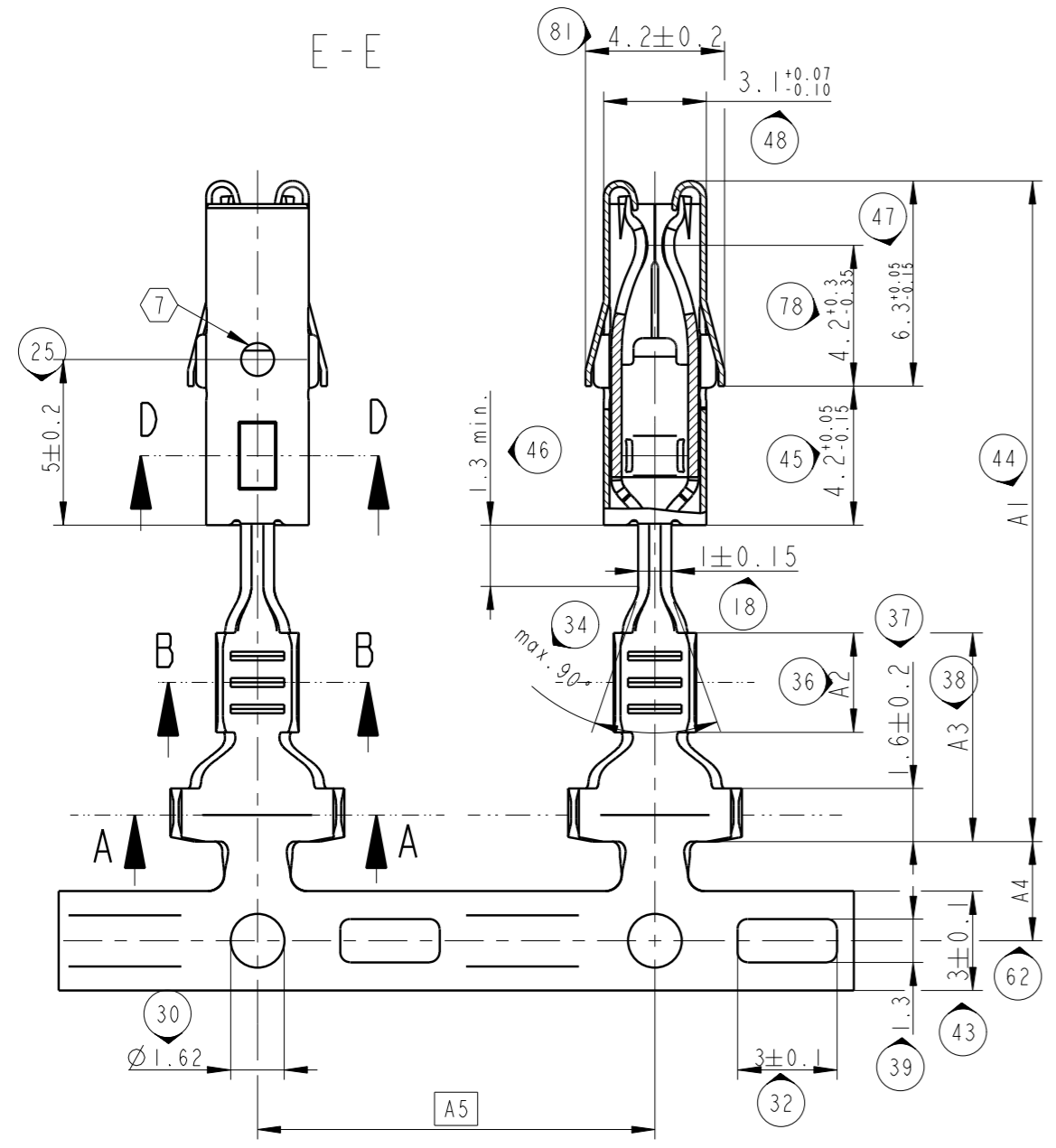


EUR C04 112 F29

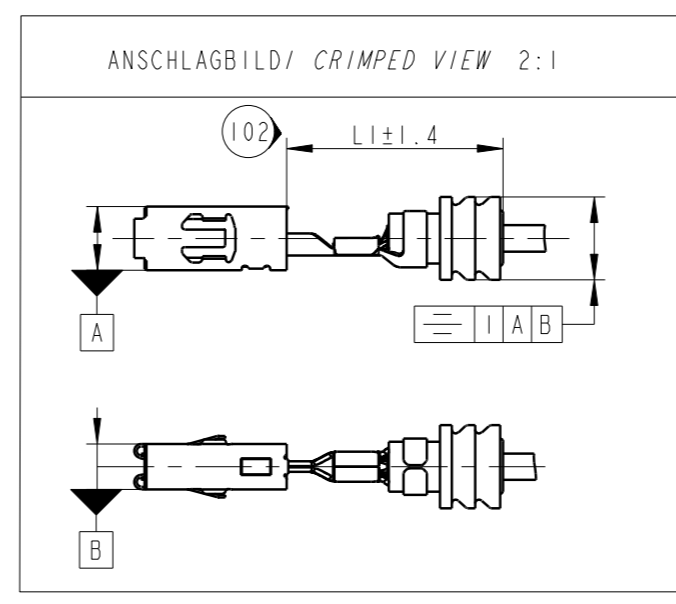


Bemerkungen / notes	
①	Firmenzeichen / Company code
②	Anderungsindex / Revision index
③	Crimp code
④	Woche und Jahr der Herstellung / Week and year of production
⑤	Oberflaechen-Code ; Plating code
⑥	Laserschweisspunkte / Laser welding points
⑦	Loch: Kennzeichen fuer Goldversion // Hole: Sign for gold version
⑧	Goldversion: 0.8µm Au Kontaktstellen veredelt / Contact area surface finish Silberversion / silver version: 3-5µm Ag
Material	
9	Grundkoerper / Contact Body: CuNiSi
10	Ueberfeder / Hood X10 Cr Ni 18 8
Querverweise / Cross references	
11	Standard Flachstecker / standard tab 2.8±0.1 x 0.8±0.03 / 2.8±0.1 x 0.6±0.07
12	zugehoerige Kammer / associated cavity: 9 001 15 00
13	Crimpspezifikation / Crimpspecification: 9 084 13 00
14	Produktspezifikation / Product specification: 9 901 04 80
15	Zeichnung Einzeladerdichtung/ Drawing single wire seal 15453990
16	Der Kontakt ist fuer wasserdichte Anwendung ausgelegt. The terminal is suitable for waterproof application (SWS).
17	() Zugehoerige Delphi Teilenummer // Associated Delphi part number
18	Massgebend ist nur der deutsche Text Only the german language shall be binding



Crimpbereich 0.5-1.0mm²
Crimp area

Part no.	Crimp area	Crimp code	Code	Surface	B1	D1	H1	B2	D2	H2	A1	A2	A3	A4	A5	H3	L1	SWS no.	Farbe	Isol.-Ø		
33522728	>2.5-4.0	0000		Ag	3-5µm Ag	4.5	2.3	4.7	6.0	4.3	6.0	22.6	4.3	8.5	2.0	14.5	1.25	19.0	33515656	Gruen Green	3.4- 3.7	
6 001 37 51 (13780621)				Sn	1-3µm Sn																	
6 001 37 44 (13609039)				Au	0.8µm Au																	
33522841	>1.0-2.5	000		Ag	3-5µm Ag	3.6	1.8	3.8	5.45	3.5	4.8	19.95	3.5	6.5	3.0	12.0	0.85	16.3	10779161	Gelb Yellow	2.7-2.9	
6 001 37 41 (13571412)				Sn	1-3µm Sn															10779159	Rot-Braun Red-brown	2.0-2.7
6 001 37 34 (13599596)				Au	0.8µm Au																	
33522842	0.5-1.0	00		Ag	3-5µm Ag	2.5	1.2	2.7	5.25	3.3	4.8	19.95	3.0	6.3	3.0	12.0	0.75	16.3	10779162	Blau Blue	1.2-2.0	
6 001 37 31 (13581330)				Sn	1-3µm Sn																	
6 001 37 14 (13609040)				Au	0.8µm Au																	
33522843	>0.22-0.35	0		Ag	3-5µm Ag	1.9	0.8	1.9	4.85	3.2	4.4	19.95	2.5	6.3	3.0	12.0	0.70	16.3	10779162	Blau Blue	1.2-2.0	
6 001 37 11 (13609462)				Sn	1-3µm Sn																	
Teile Nr. Part no.	Crimpbereich Crimp area mm²	Crimp code	Code Obfl. Plating	Oberflaeche Surface finish	B1 ±0.3	D1 ±0.3	H1 ±0.3	B2 ±0.3	D2 ±0.4	H2 ±0.3	A1 ±0.5	A2 ±0.2	A3 ±0.3	A4 ±0.15	A5	H3 ±0.2	L1 ±1.4	SWS no. Einzeladerdichtung Single wire seal	Farbe Color	Isol.-Ø Insul.-Ø (mm)		



ECN-NO.	DATE	DD / MM / YY	REVISION INDEX	POSITION	CHANGE DESCRIPTION	DRAWN BY	CHK. BY	APPR. BY
CR-19-23736	28.02.2019	02AB	A11		Aptiv Part no. typing error corrected for 6 001 37 11: (13609462) was (13609586)	P.Nuetzel	S.Weiss	M.Porte
GPC1761	08.09.17	02AA	-		Rework of drawing; Delphi part no. bracketed	S.Weiss	P.Nuetzel	M.Porte
15-13742	22.09.15	C	-		Delphi reference no. added no.6 001 37 12/32/42 deleted dim.no.3 was (H2); no.6 was (H1); no. 21 was ±0.15 plating code added Bemerkungen/Notes reworked	S.Mueller	P.Nuetzel	R.Schmidt
670/06	29.07.08	B05	-		Hinzu: 6 Varianten auf Anfrage, Notiz	S.Mueller	S.Weiss	P.Nuetzel
ECN-NO.	DATE	DD / MM / YY	REVISION INDEX	POSITION	CHANGE DESCRIPTION	DRAWN BY	CHK. BY	APPR. BY
9 901 04 80	---	---	---	---	---	---	---	---
TOLERANCES DIN ISO 2768-m		MATERIAL : siehe Bemerk.		SURFACE FINISH OBERFLAECHE		APPTIV		
DIN ISO 1101		see notes		siehe Tabelle		ACTIV SIGNAL AND POWER SOLUTIONS/CONNECTION SYSTEMS NUREMBERG GERMANY		
COUNTERPART N.:		COLOUR : FARB		see table		pro J. eng.		
DO NOT SCALE DRAWING ZEICHNUNG NICHT VERMESSEN		TOOL NO. WERKZEUG N.		ECO Loc. Code STANDORT CODE		DIMENSION IN MILLIMETERS BEMESSUNG IN MILLIMETERN		
DATE DATUM		NAME NAME		TITEL BENENNUNG		DRAWING NUMBER ZEICHN. NUMMER		
23.07.02		S.Weiss		2.8 DCK Female Terminal APPLICATION WITH SWS		6 001 37 11		
23.07.02		G.May		---		FILE NAME DATEI NAME		
23.07.02		Hoerlein		---		13609586-CUS02-02AB		
---		---		---		SCALE M: 2:1		

Mouser Electronics

Authorized Distributor

Click to View Pricing, Inventory, Delivery & Lifecycle Information:

[Aptiv:](#)

[13609039](#)