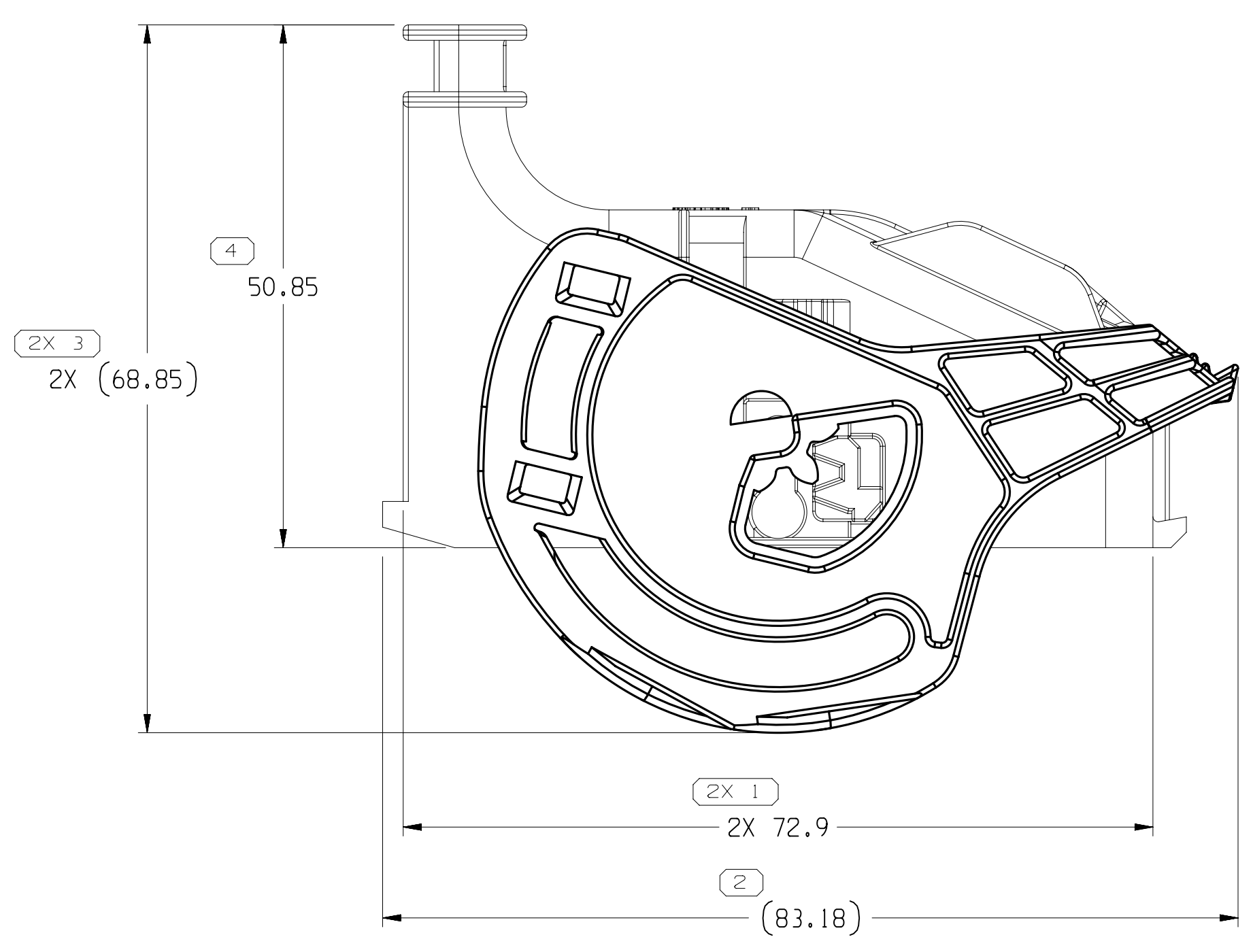
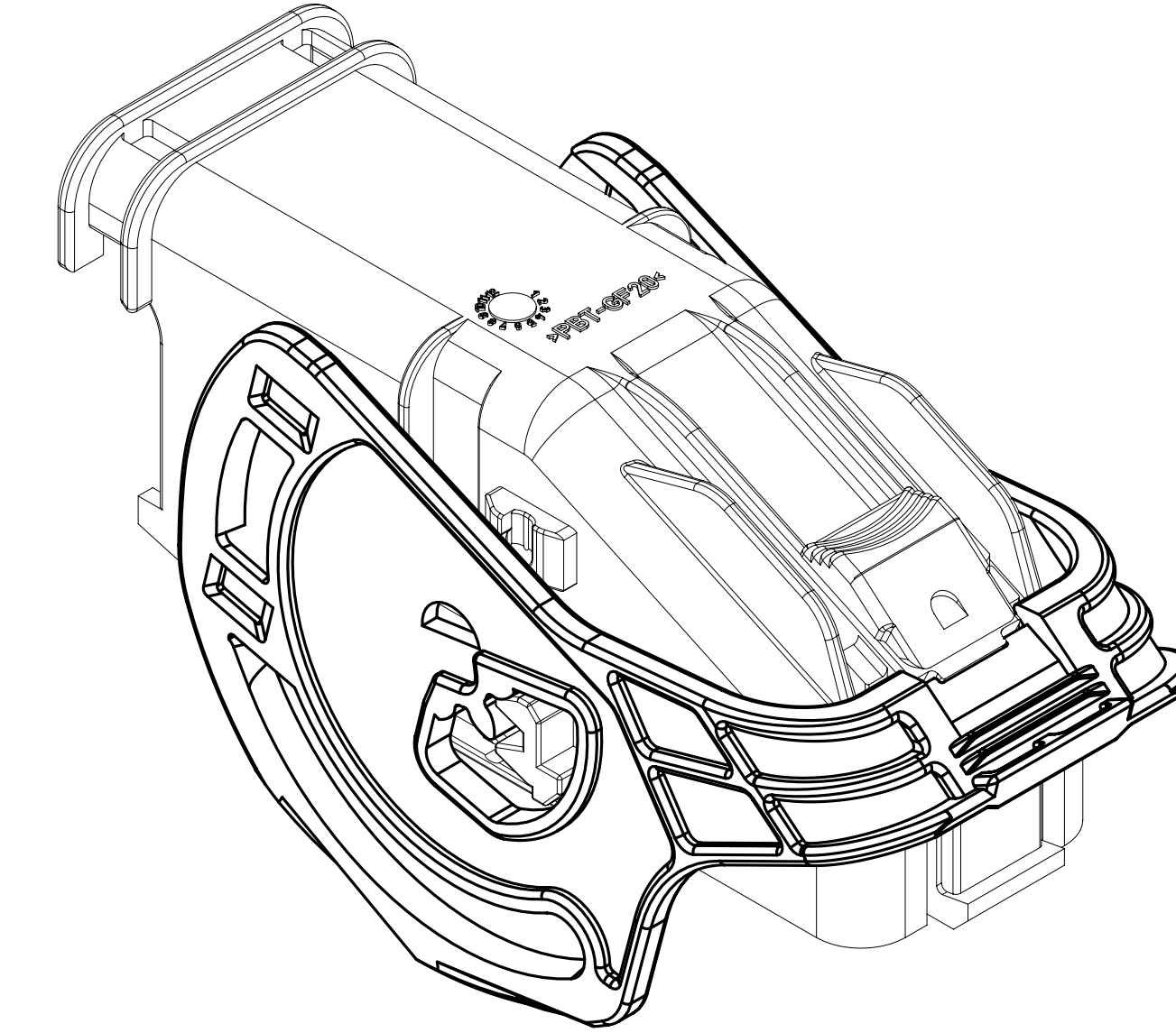
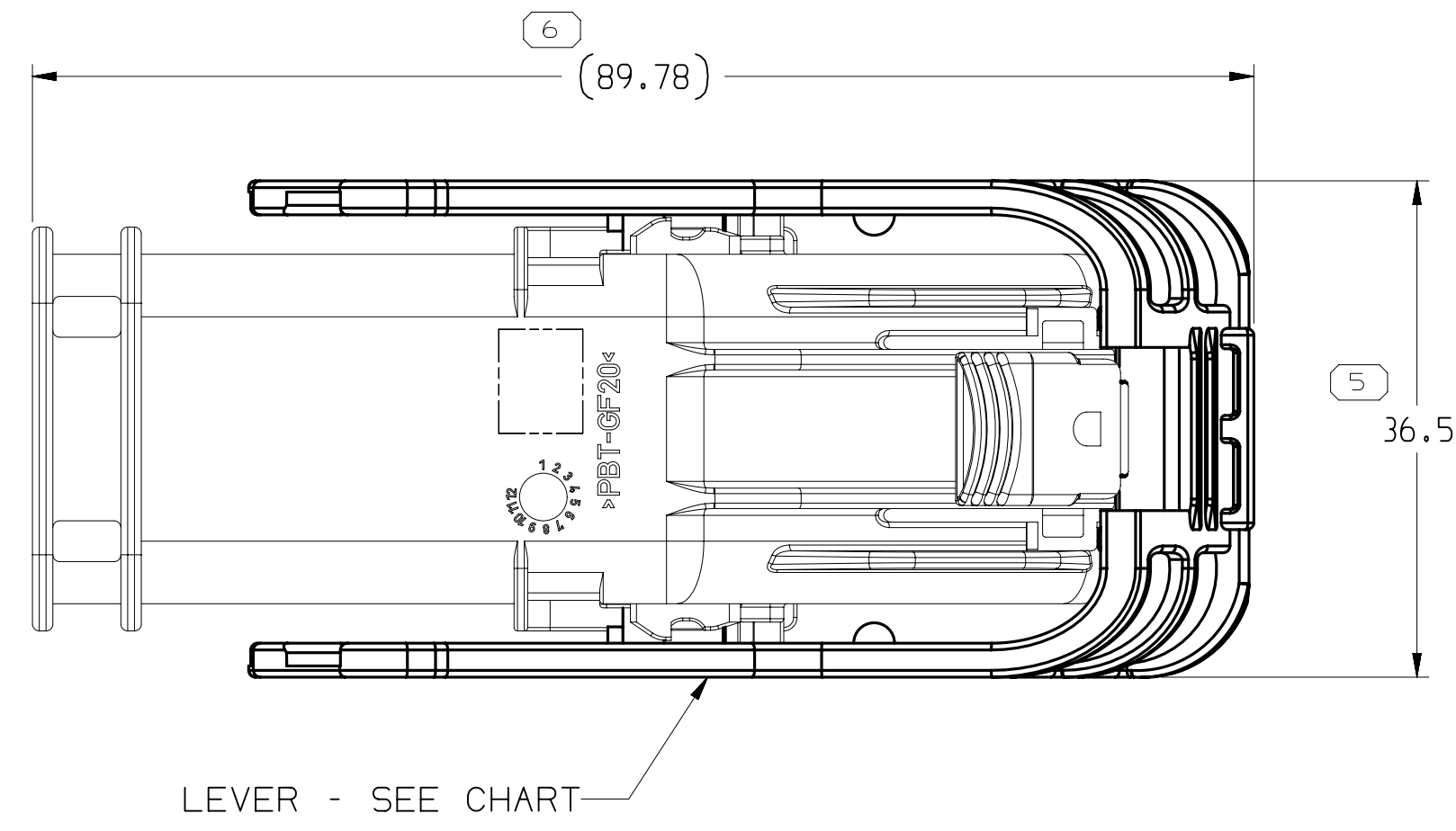
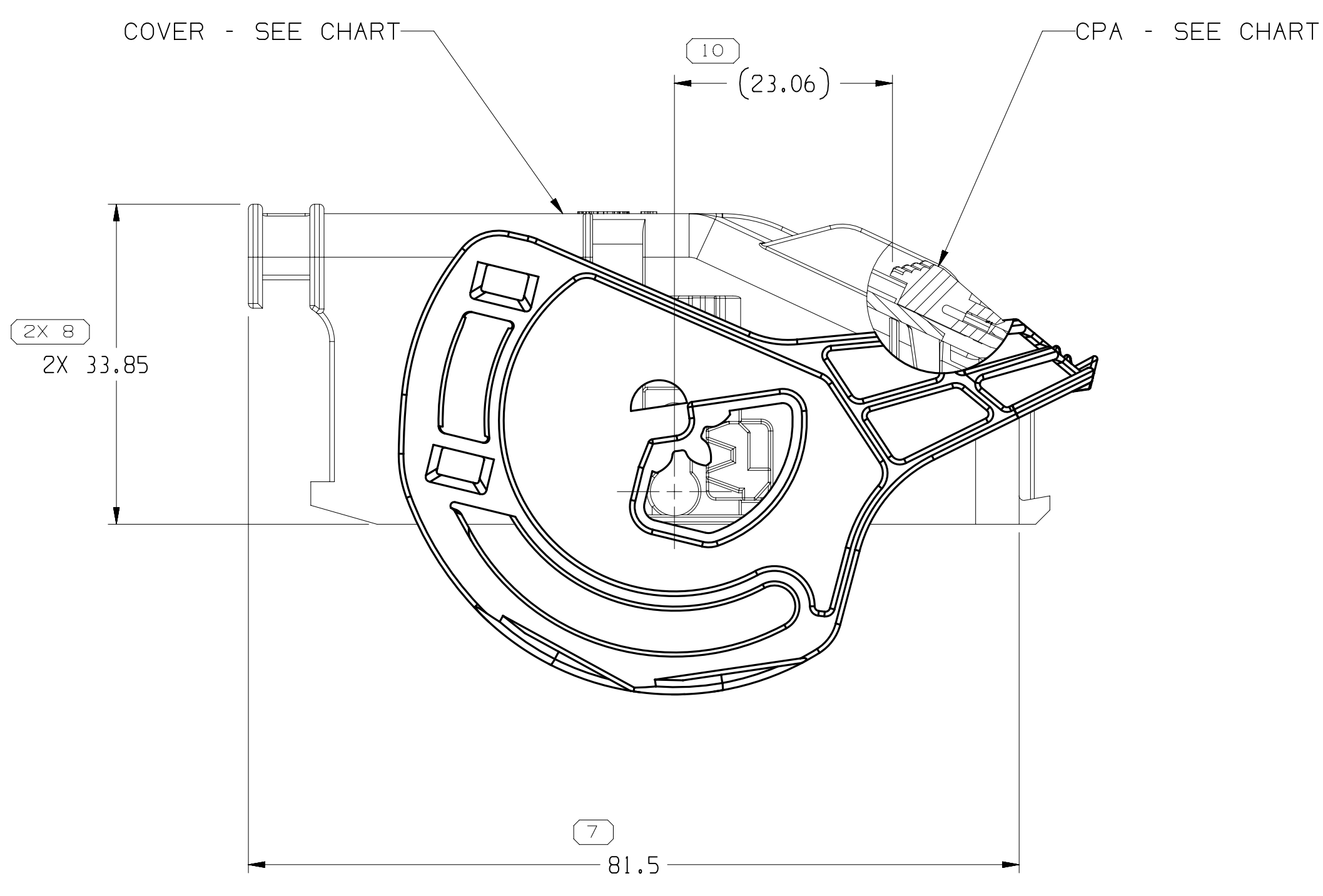


SYMBOL DEFINITION		MISSING SYMBOLS	
A DIMENSION WITHOUT AN INSPECTION REPORT SYMBOL DOES NOT REQUIRE INSPECTION. IT MAY BE CONTROLLED ON THE INDIVIDUAL COMPONENT DRAWING.	TOTAL NO OF INSPECTIONS REQUIRED	NO MISSING SYMBOL NUMBER	
	14		
	LAST NO. USED		
	10		

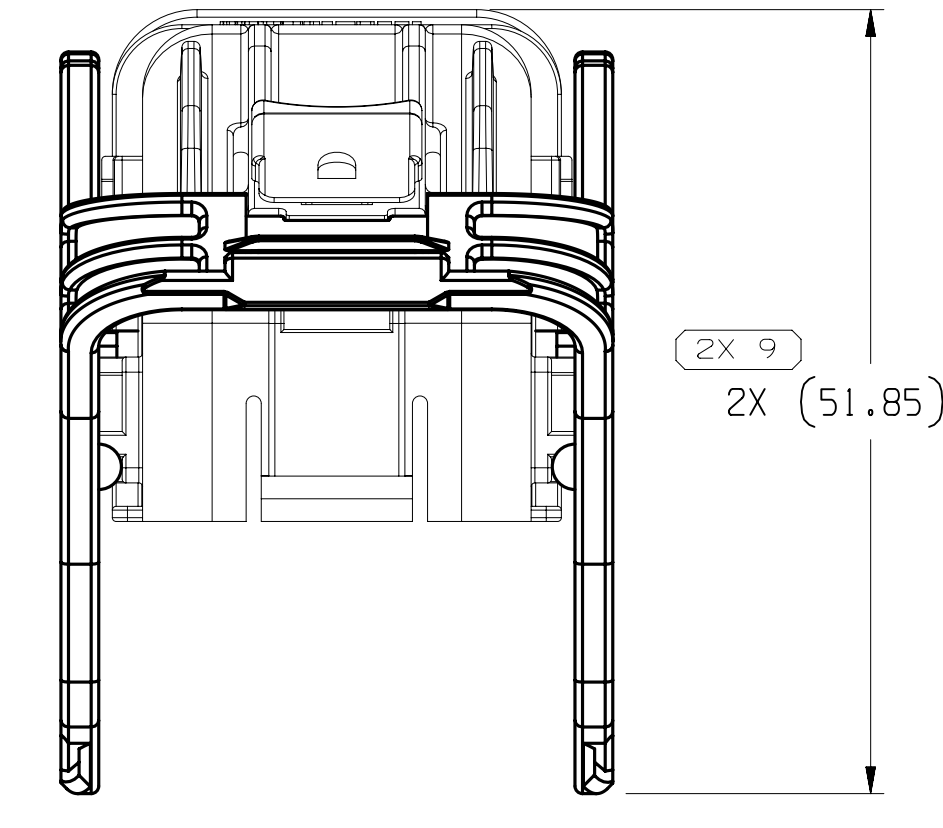
DWG STATUS					REVISION HISTORY					AUTH	DR	APVD	APVD	
DATE	STG	REV	N/P	CHG	ZONE									
22.JUL.19	R	01	-	-		ALL PARTS - RELEASED PART DRAWING					443732	JGM	JGM	VRG
19.FE.20	R	02	-	-		ALL PARTS - UPDATED PART AVAILABILITY					551068	AHY	AHY	VRG



TYPE 102
SAME AS TYPE 101
EXCEPT AS SHOWN



TYPE 101



NOTES

- UNLESS OTHERWISE SPECIFIED AND/OR INDICATED:
DIMENSIONS ARE TO FACE OF VIEW SHOWN AND AUTOMATICALLY ROUNDED BY COMPUTER FOR INSPECTION (SEE MATH MODEL FOR PRECISE DIMENSIONS). FOR ALL OTHER DIMENSIONS NOT SHOWN BUT REQUIRED FOR TOOL BUILD, SEE MATH MODEL FOR PRECISE TOOL PATH DATA.
- THIS PRODUCT IS NOT CATEGORIZED AS AN APPEARANCE ITEM, MINOR IMPERFECTIONS INCLUDING, BUT NOT LIMITED TO, FLOW MARKS, COLOR BLEMISHES, GATE VESTIGE, AND SOFT FLASH THAT DO NOT AFFECT THE FIT, FORM, OR FUNCTION OF THE PART ARE PERMISSIBLE PER EANP-4-3-CS-01-LEN.
- REFERENCE MATING COMPONENTS OR EQUIVALENT:
TAXI ASM CONN 15509613
- FOR ASSEMBLY MANUAL REFER TO P/N 15509613

LINE DRAWN THROUGH A PART NUMBER INDICATES THAT PHYSICAL PARTS ARE NOT AVAILABLE FOR ORDERING.	
PART NUMBERS THAT DO NOT HAVE A LINE PRESENT INDICATE THAT PHYSICAL PARTS ARE AVAILABLE FOR ORDERING.	
CONTACT PART SALES TO ASSURE AVAILABILITY OF PARTS.	
DWG TYPE	PART DRAWING
STYLE	
VOLUME TCM ¹	DISTR CODE
	D
UNLESS OTHERWISE SPECIFIED	
THIS DOCUMENT IS IN ACCORDANCE WITH ASME Y14.5-2009. SEE APTIV ENGINEERING DESIGN STANDARD 06-2017 FOR ISO 1101:2004 RECONCILIATION REQUIREMENTS.	
ALL DIMENSIONS ARE IN MILLIMETERS	
REFERENCE	15511760

• APTIV •
CONNECTION SYSTEMS
WARREN, OH
COPYRIGHT 2019 APTIV. ALL RIGHTS RESERVED.
THIS DRAWING IS THE PROPERTY OF APTIV AND CONTAINS APTIV CONFIDENTIAL INFORMATION. THE REPRODUCTION, DISTRIBUTION AND UTILIZATION OF THIS DOCUMENT OR ITS RELATED CAD DATA, AS WELL AS COMMUNICATION OF ANY CONTENT TO OTHERS, WITHOUT EXPRESS AUTHORIZATION, IS PROHIBITED.

DR	DATE
APVD1 JESSICA GARCIA M.	22.JUL.19
APVD2 JESSICA GARCIA M.	22.JUL.19
APVD3 VANESSA ROBLES	26.JUL.19
APVD4	

APVD5
SUBSTANCES OF CONCERN AND RECYCLED CONTENT PER APTIV 10949601

MATERIAL
SEE CHART

DRAWING NAME
TAXI ASM COV CONN MECH ASST

DRAWING NUMBER
35367898

SIZE	SCALE	FRAME NO	SHEET NO	STG	REV	N/P
A0	2:1	1	1	1	R	02

PART NO	REV	N/P	TYPE	COVER	LEVER	CPA
35364157	01	AA	102	35358781	15511744	13854913
35364156	01	AA	101	35344247	15511744	13854913
35364155	01	AA	101	35344246	15511744	13854913

(N/A) PROCESS SENSITIVE DIMENSION	
DIMENSIONS ENCLOSED IN () INDICATE REFERENCE DIMENSIONS AND NO TOLERANCE LIMITS ARE ESTABLISHED	
DIMENSIONAL RANGE (MM)	CHART LET
FROM > 0	> 20
TO 20	30
	70
	100
	150
	200
	250
	300
	400
TOLERANCE UNLESS OTHERWISE SPECIFIED	
+0.15 ±0.2 ±0.3 ±0.4 ±0.5 ±0.6 ±0.8 ±1 ±1.2	
ANGULAR TOLERANCE ±2°	

THIRD ANGLE PROJECTION

DO NOT SCALE

USE MATH DATA

Mouser Electronics

Authorized Distributor

Click to View Pricing, Inventory, Delivery & Lifecycle Information:

[Aptiv:](#)

[35364155](#)