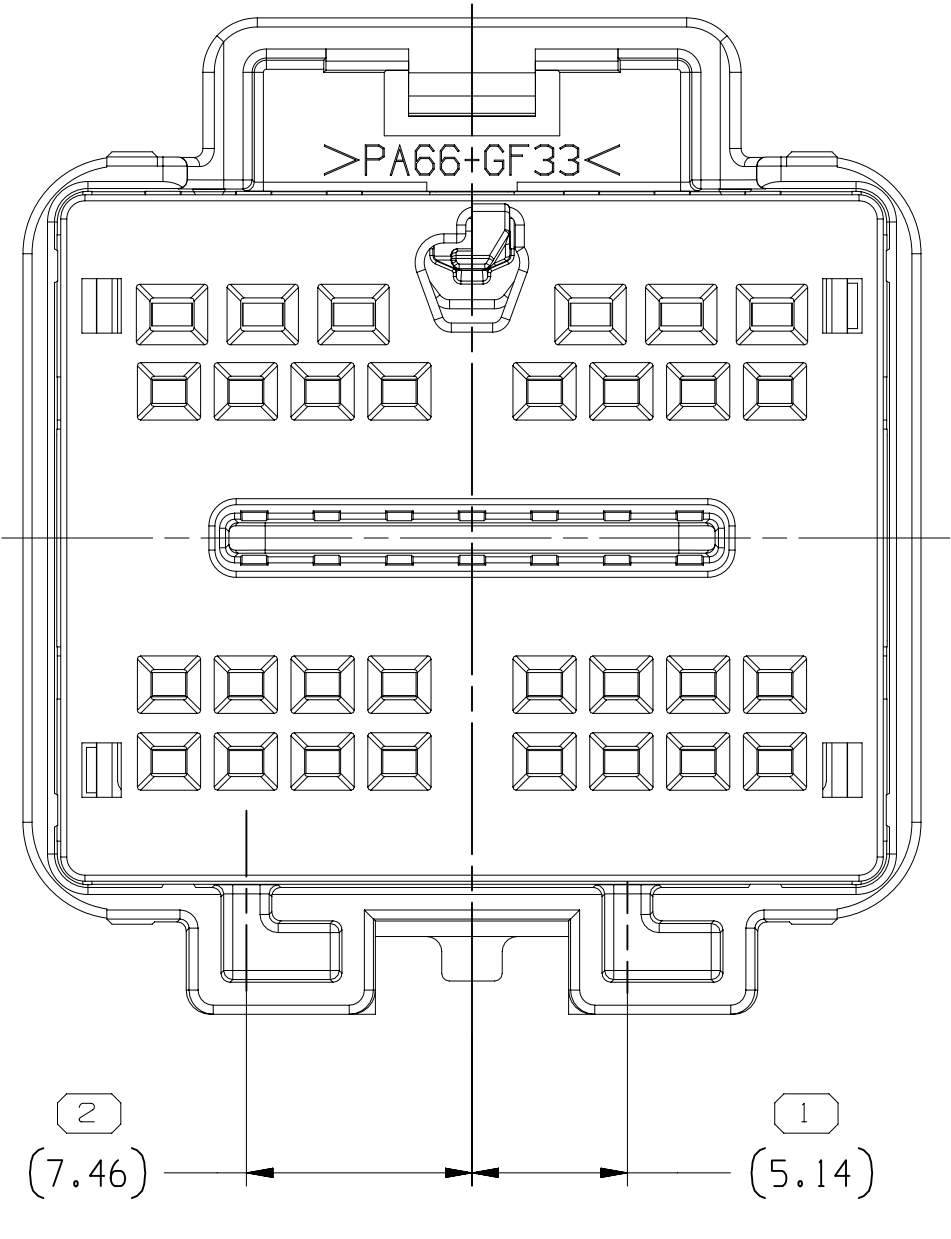
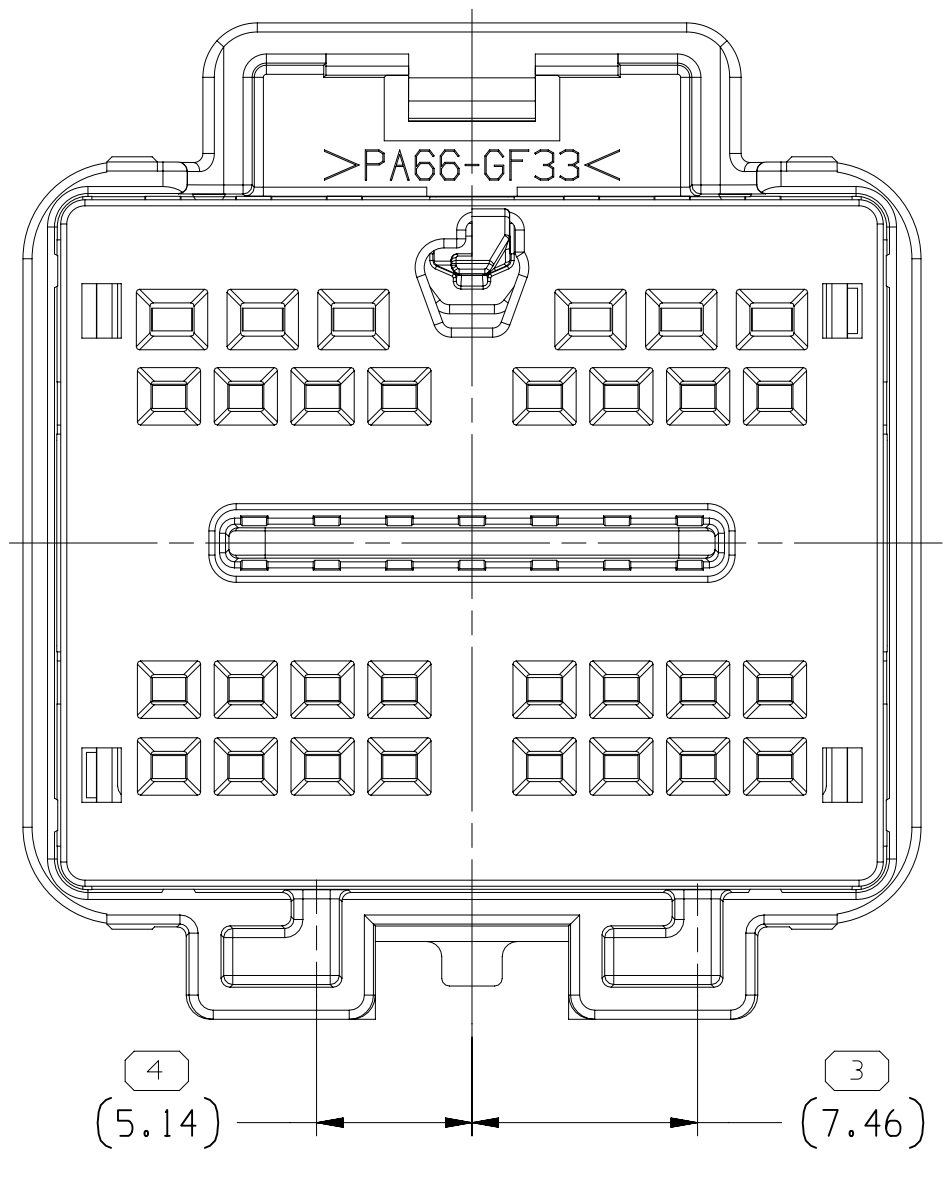


SYMBOL DEFINITION		TOTAL NO OF INSPECTIONS REQUIRED	MISSING SYMBOLS NO MISSING SYMBOL NUMBER
A DIMENSION WITHOUT AN INSPECTION REPORT SYMBOL DOES NOT REQUIRE INSPECTION. IT MAY BE CONTROLLED ON THE INDIVIDUAL COMPONENT DRAWING.		20	
		LAST NO. USED	14

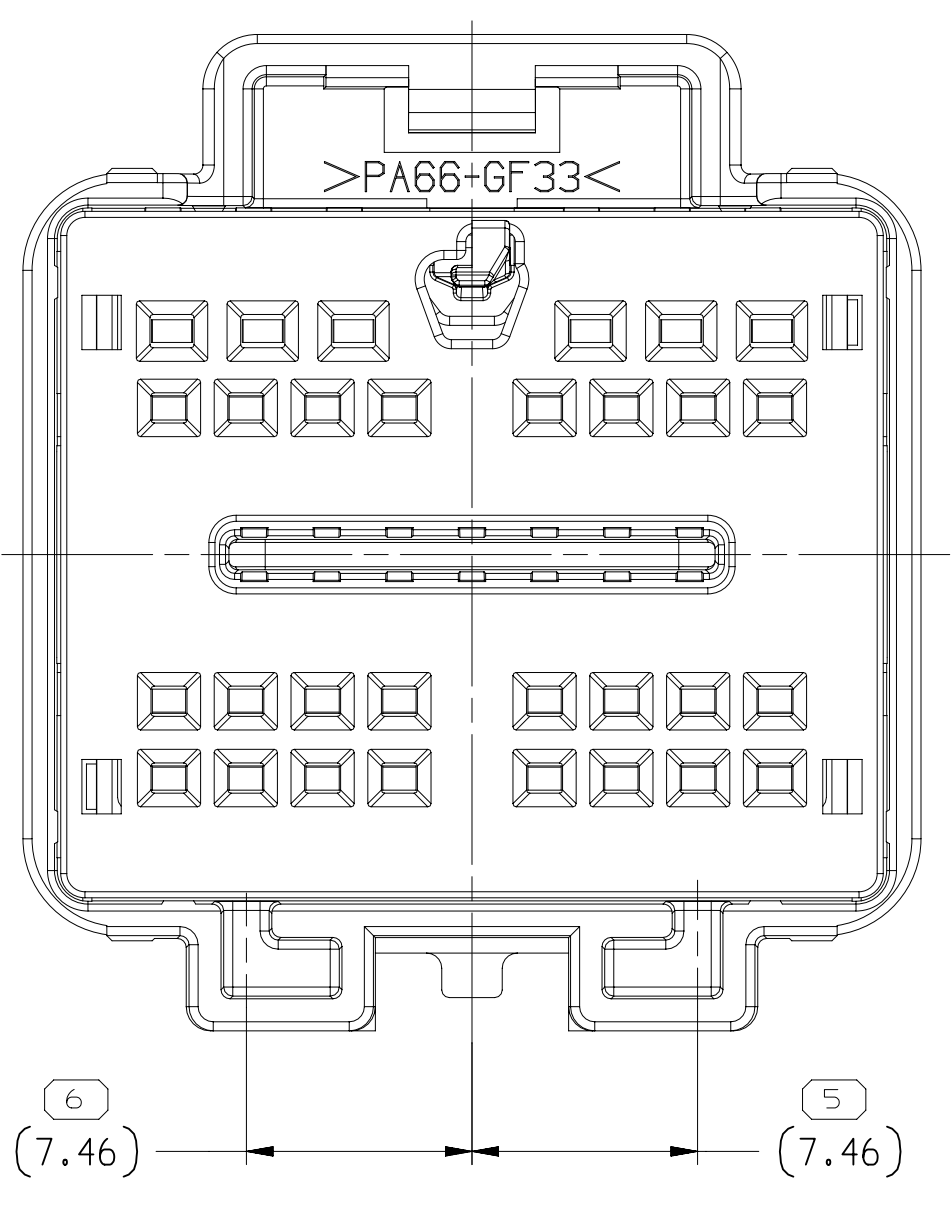
DWS STATUS		ZONE		REVISION HISTORY		AUTH	DR	APVD	APVD
DATE	STG	REV	N/P	CHG					
04SE20	R	01	-	-	ALL PARTS - RELEASED PART DRAWING	551195	SM	KV	JDS
08MR21	R	02	-	-	ALL PARTS - REVISED GRAPHICS	553705	VS	KV	JDS
03AU21	R	03	-	-	ALL PARTS - REVISED GRAPHICS	555205	VS	KV	JDS
02FE22	R	04	-	-	UPDATED PART AVAILABILITY	556483	VS	KV	JDS



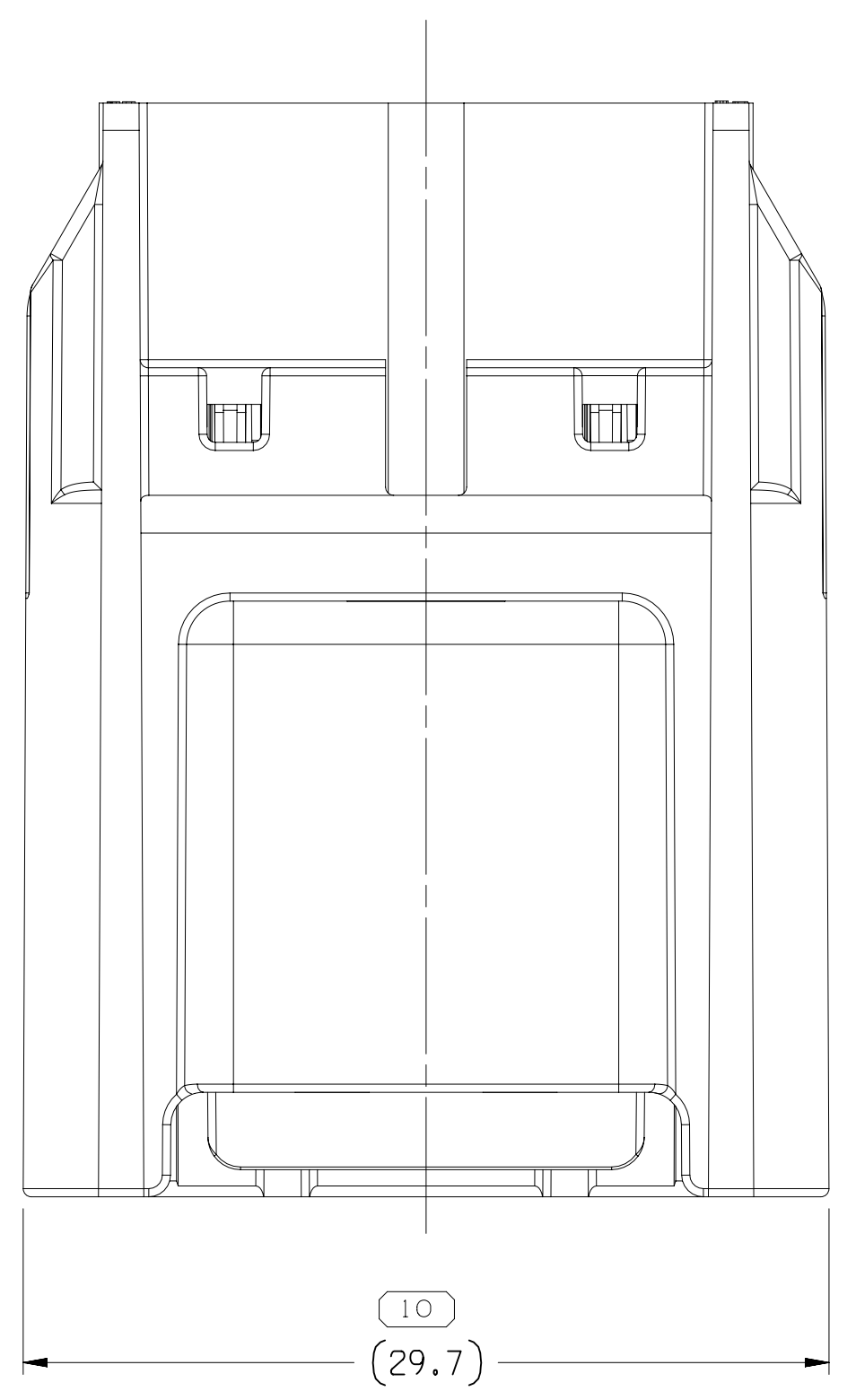
TYPE 102  
SAME AS TYPE 101  
EXCEPT AS SHOWN



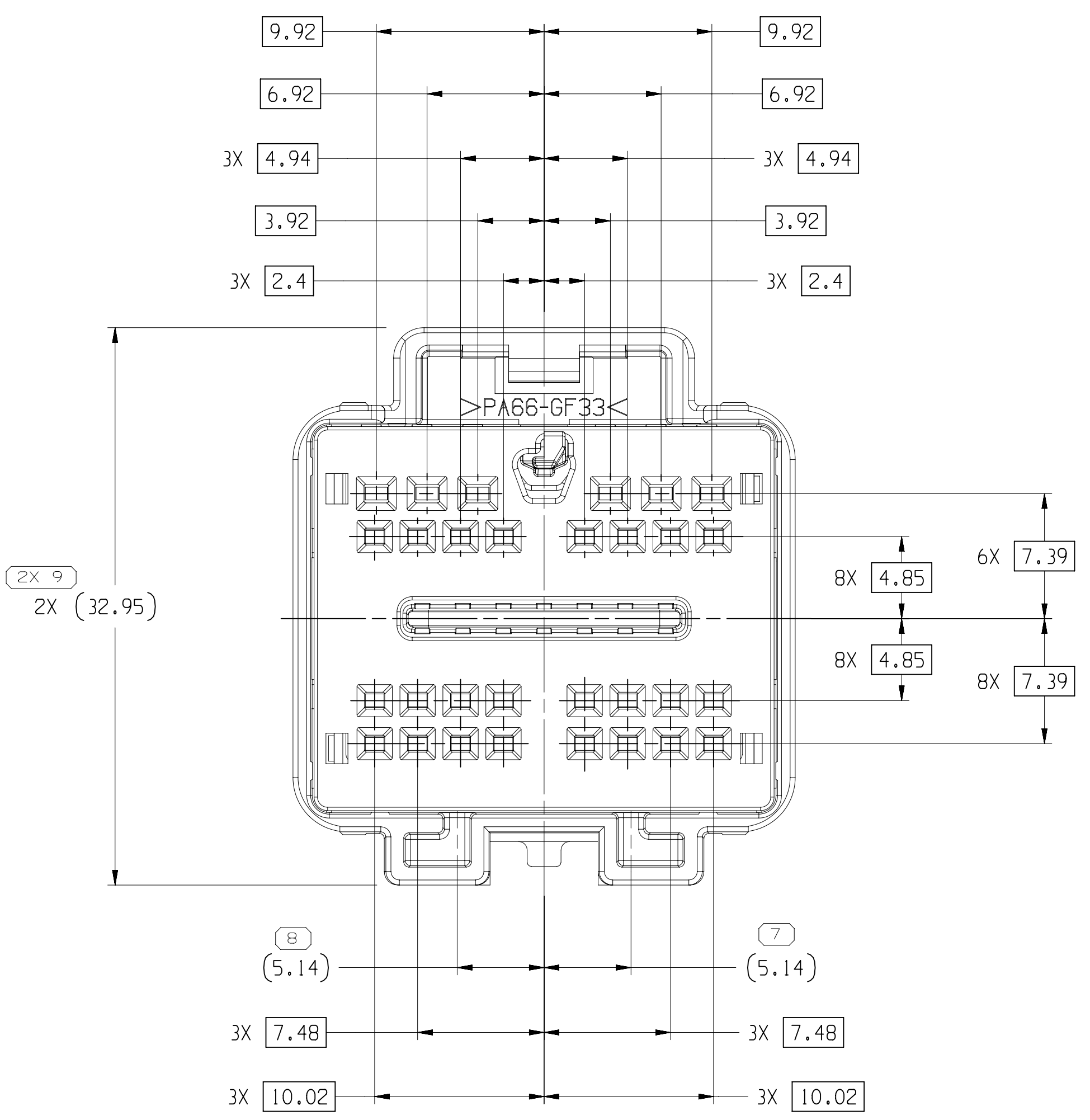
TYPE 103  
SAME AS TYPE 101  
EXCEPT AS SHOWN



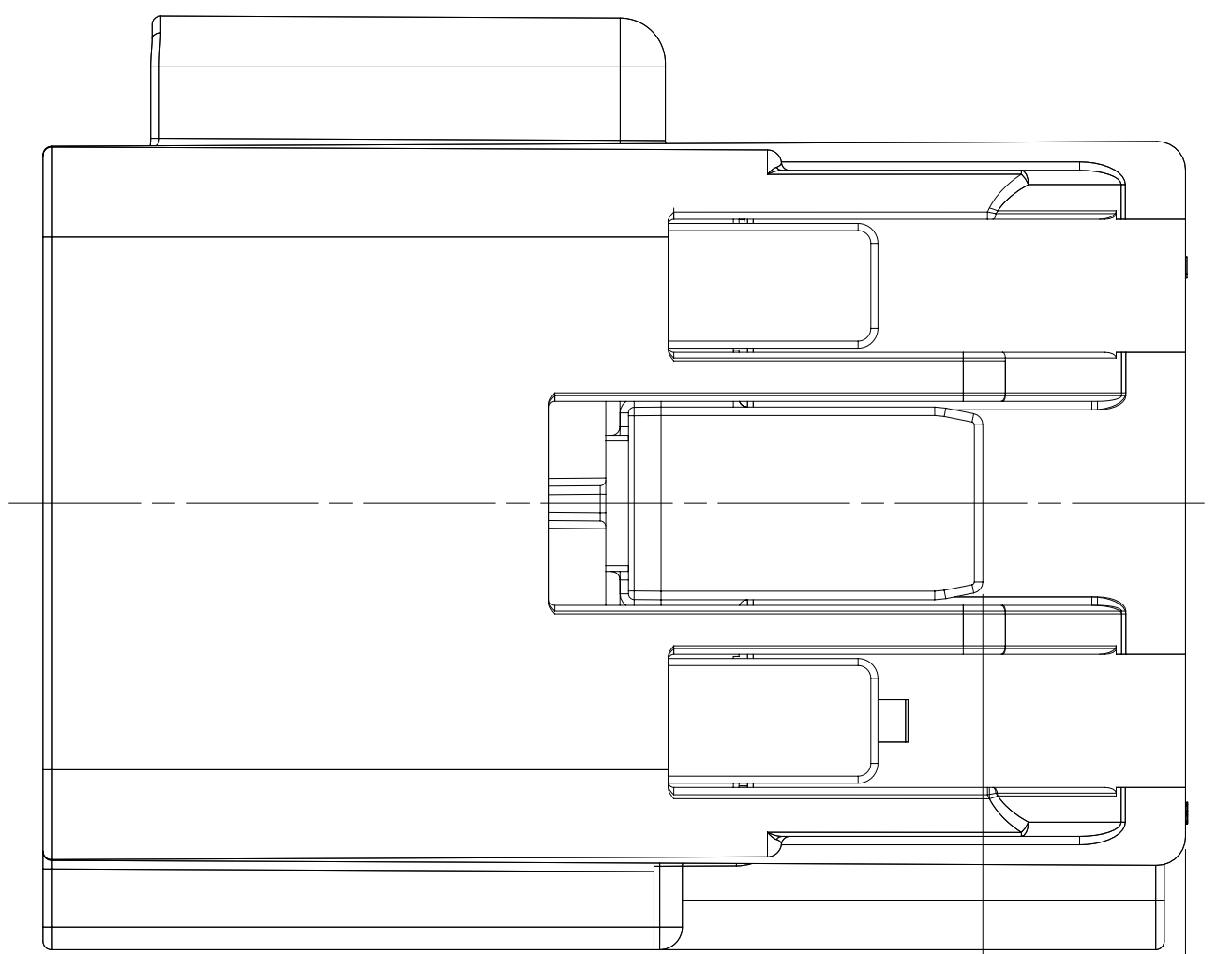
TYPE 104  
SAME AS TYPE 101  
EXCEPT AS SHOWN



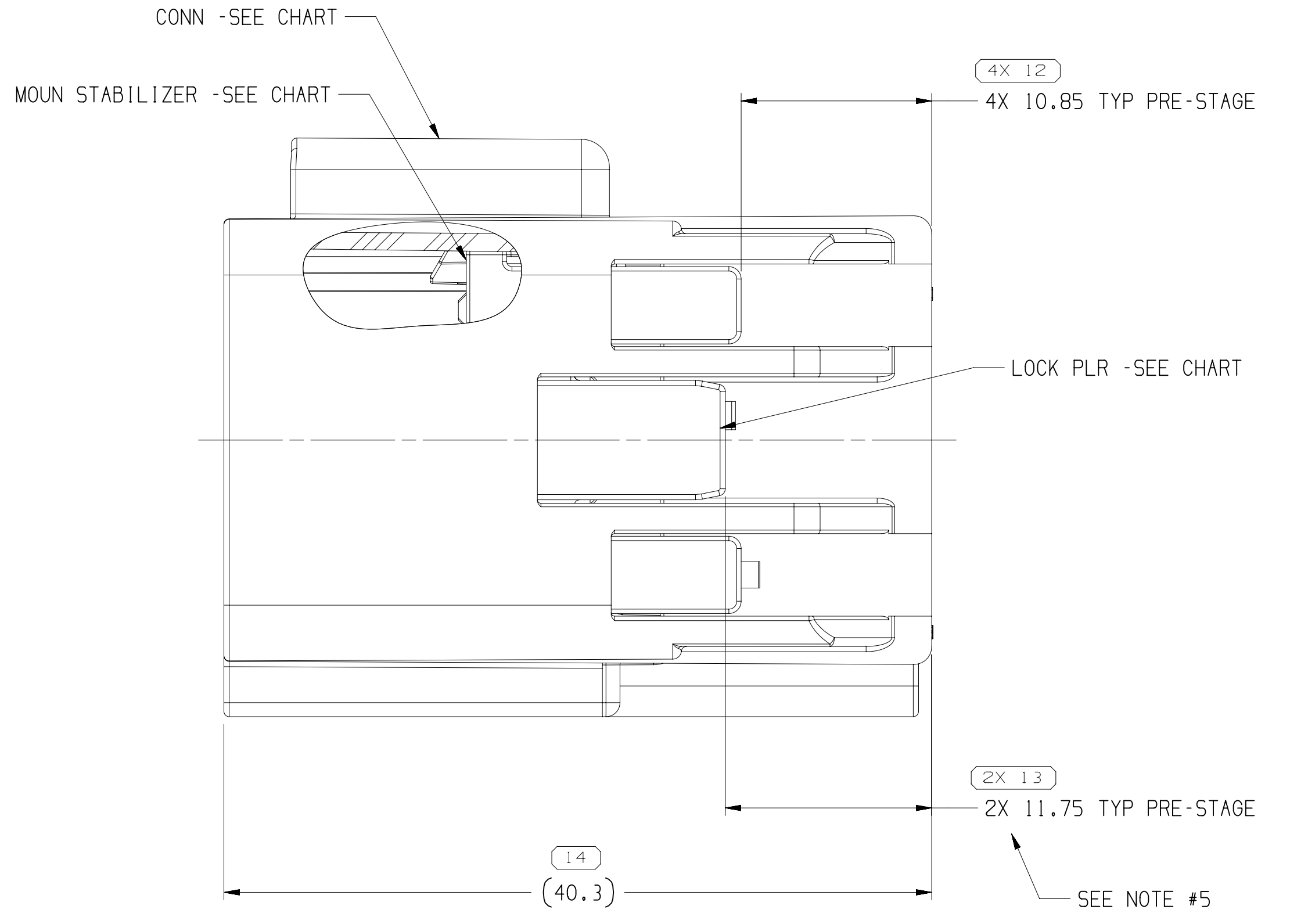
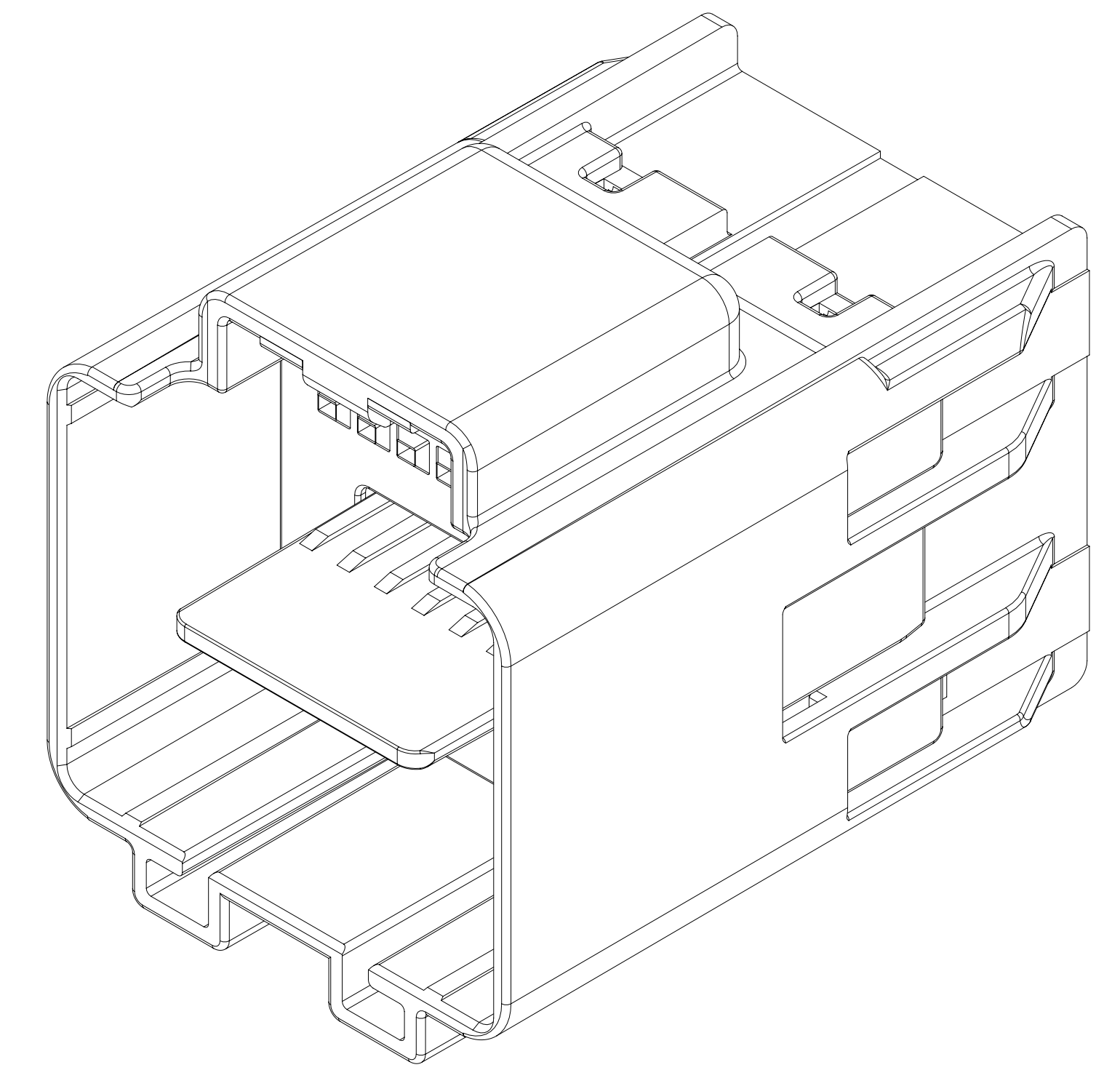
10  
(29.7)



TYPE 101



2X (7.15) TYP FINAL POSITION  
SEE NOTE #6



NOTES

- UNLESS OTHERWISE SPECIFIED AND/OR INDICATED:  
DIMENSIONS ARE TO FACE OF VIEW SHOWN AND AUTOMATICALLY ROUNDED BY COMPUTER FOR INSPECTION (SEE MATH MODEL FOR PRECISE DIMENSIONS). FOR ALL OTHER DIMENSIONS NOT SHOWN BUT REQUIRED FOR TOOL BUILD, SEE MATH MODEL FOR PRECISE TOOL PATH DATA.
- THIS PRODUCT IS NOT CATEGORIZED AS AN APPEARANCE ITEM, MINOR IMPERFECTIONS INCLUDING, BUT NOT LIMITED TO, FLOW MARKS, COLOR BLEMISHES, GATE VESTIGE, AND SOFT FLASH THAT DO NOT AFFECT THE FIT, FORM, OR FUNCTION OF THE PART ARE PERMISSIBLE PER DPNP-4.7-CS-01.
- FOR APPLICATION DATA SEE THE INDIVIDUAL APPLICATION DRAWINGS.
- SEALING CODE 0 - UNSEALED
- DELIVERY CONDITION TO WIRE ASSEMBLY PLANT. PLR PRE-STAGED POSITION BEFORE TERMINALS.
- DELIVERY CONDITION TO VEHICLE ASSEMBLY PLANT. PLR FINAL POSITION AFTER TERMINALS.
- BEFORE TERMINAL ASSEMBLY, VERIFY THE PLR IS IN THE PRE-STAGE POSITION ON THE CONNECTOR. IF NOT, RETURN THE PLR TO PRE-STAGE POSITION.

PART NO	REV	N/P	TYPE	CONNECTOR	LOCK PLR	MBS
35450265	03	AA	104	35450270	35450273	35450274
35450263	03	AA	103	35450269	35450273	35450274
35450261	03	AA	102	35450268	35450273	35450274
35450260	03	AA	101	35450267	35450273	35450274

DIMENSIONAL RANGE (MM)	TOLERANCE (UNLESS OTHERWISE SPECIFIED)
FROM 0 TO >20	±0.25
>20 TO >30	±0.30
>30 TO >70	±0.40
>70 TO >100	±0.50
>100 TO >150	±0.63
>150 TO >200	±0.75
>200 TO >250	±0.90
>250 TO >300	±1.00
>300 TO >400	±1.25

THIRD ANGLE PROJECTION	DO NOT SCALE	USE MATH DATA

PART DRAWING	
STYLE	D
VOLUME (CM)	
DISTR CODE	
UNLESS OTHERWISE SPECIFIED THIS DOCUMENT IS IN ACCORDANCE WITH ASME Y14.5M-1994 AS MODIFIED BY THE 2009 GLOBAL DIMENSIONING AND TOLERANCING ADDENDUM-2009. SEPARATE PATTERNING OF FEATURES MAY BE ORDERED SEPARATELY. REGARDLESS OF DATUM REFERENCES.	
ALL DIMENSIONS ARE IN MILLIMETERS	
REFERENCE	

**APTIV**  
CONNECTION SYSTEMS  
Oremut, India  
COPYRIGHT 2023 APTIV. ALL RIGHTS RESERVED.  
THIS DRAWING IS THE PROPERTY OF APTIV AND CONTAINS APTIV CONFIDENTIAL INFORMATION. THE REPRODUCTION, DISTRIBUTION AND UTILIZATION OF THIS DOCUMENT OR ITS RELATED CAD DATA, AS WELL AS COMMUNICATION OF ANY CONTENT TO OTHERS, WITHOUT EXPRESS AUTHORIZATION, IS PROHIBITED.

DR	DATE
APVD1 M SAKTHIVEL	04SE20
APVD2 V.KANDASAMY	04SE20
APVD3 JOHN SCHNEIDER	04SE20
APVD4	
APVDS	

MATERIAL: SEC CHART  
SUBSTANCES OF CONCERN AND RECYCLED CONTENT PER APTIV 10949001

DRAWING NAME: TAXI ASM CONN 30 M OCS 0.64 1.2  
DRAWING NUMBER: 35450266  
SIZE: A0  
SCALE: 4:1  
FRAME NO: 1 OF 2  
SHEET NO: 1 OF 1  
STG REV: R 04

# Mouser Electronics

Authorized Distributor

Click to View Pricing, Inventory, Delivery & Lifecycle Information:

[Aptiv:](#)

[35450263](#)