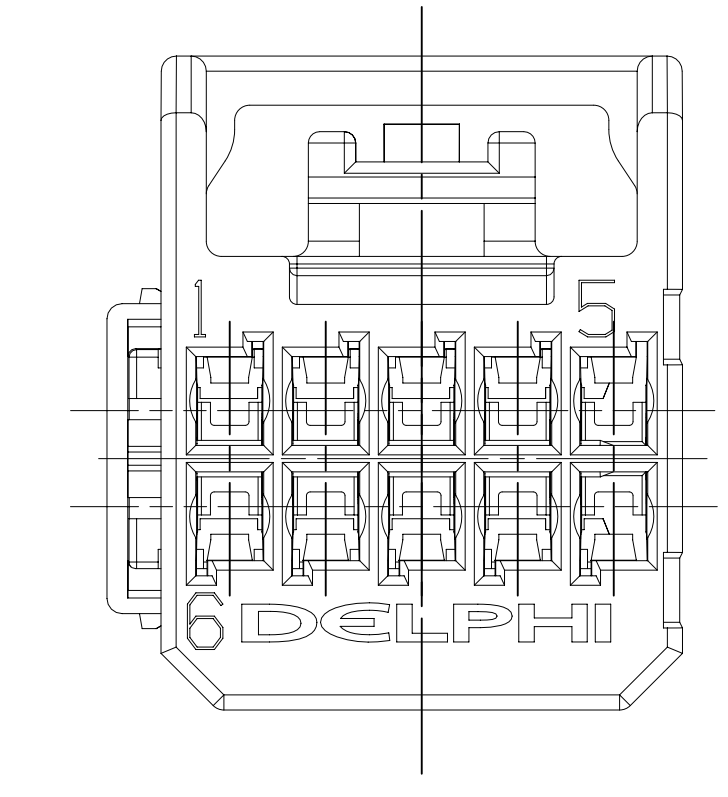
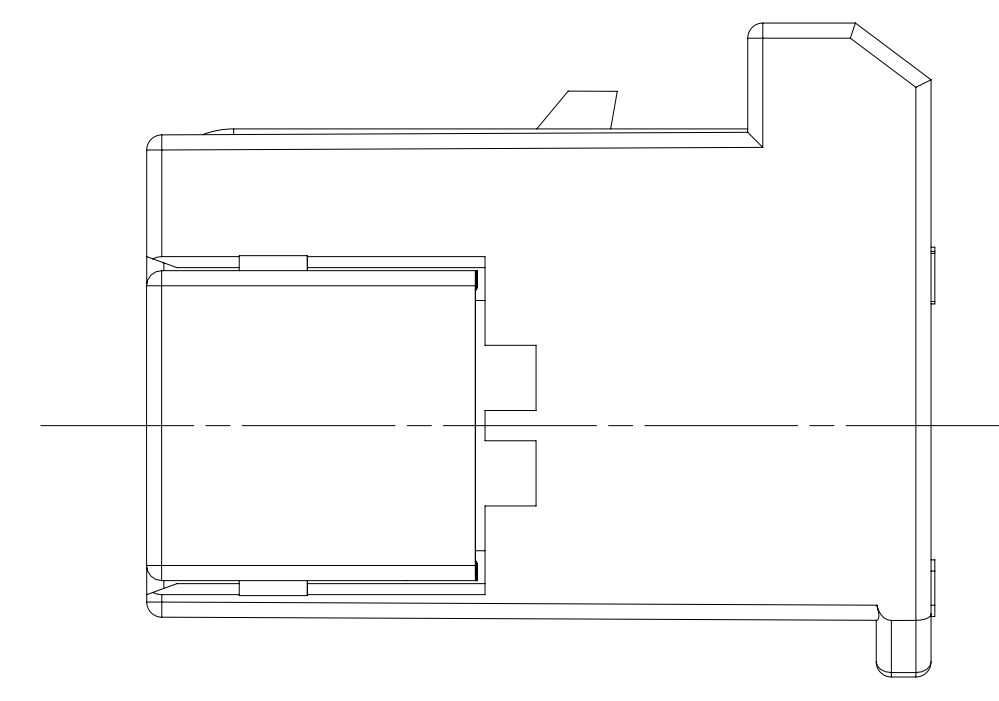
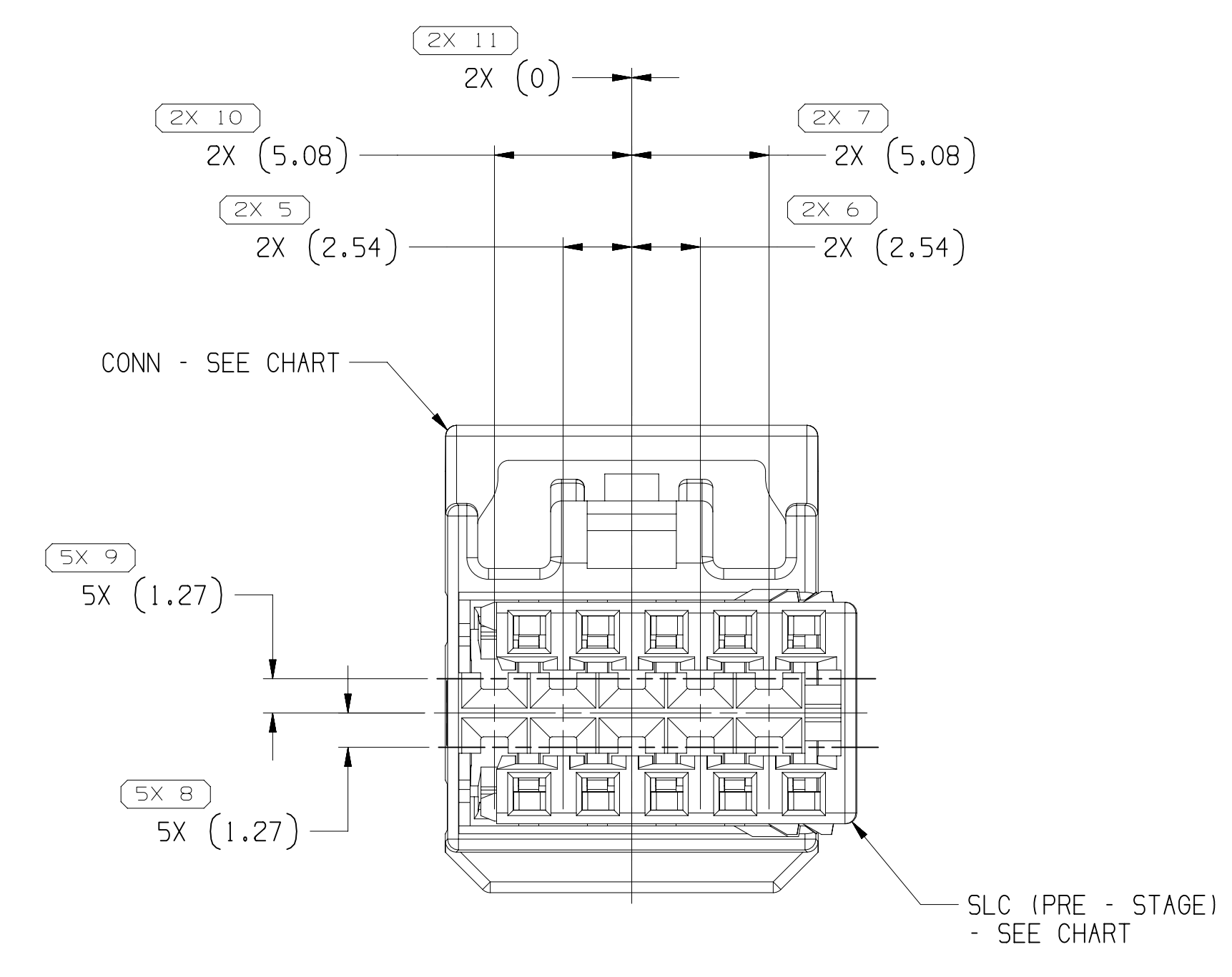
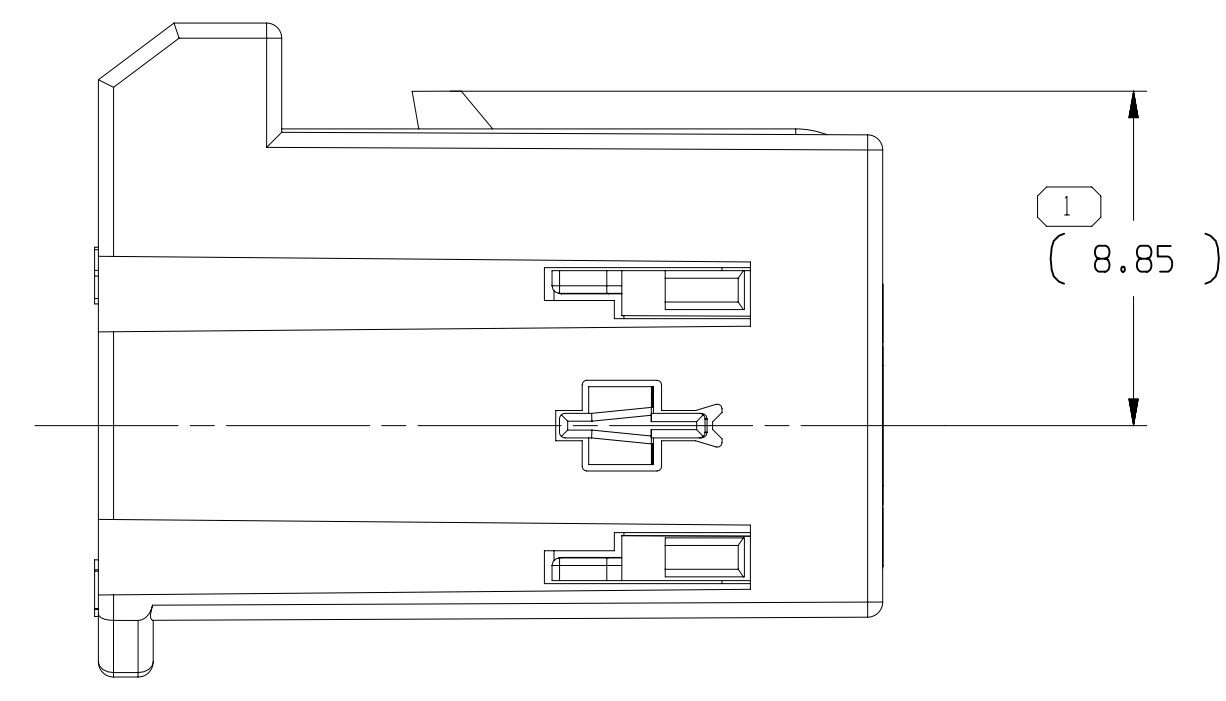
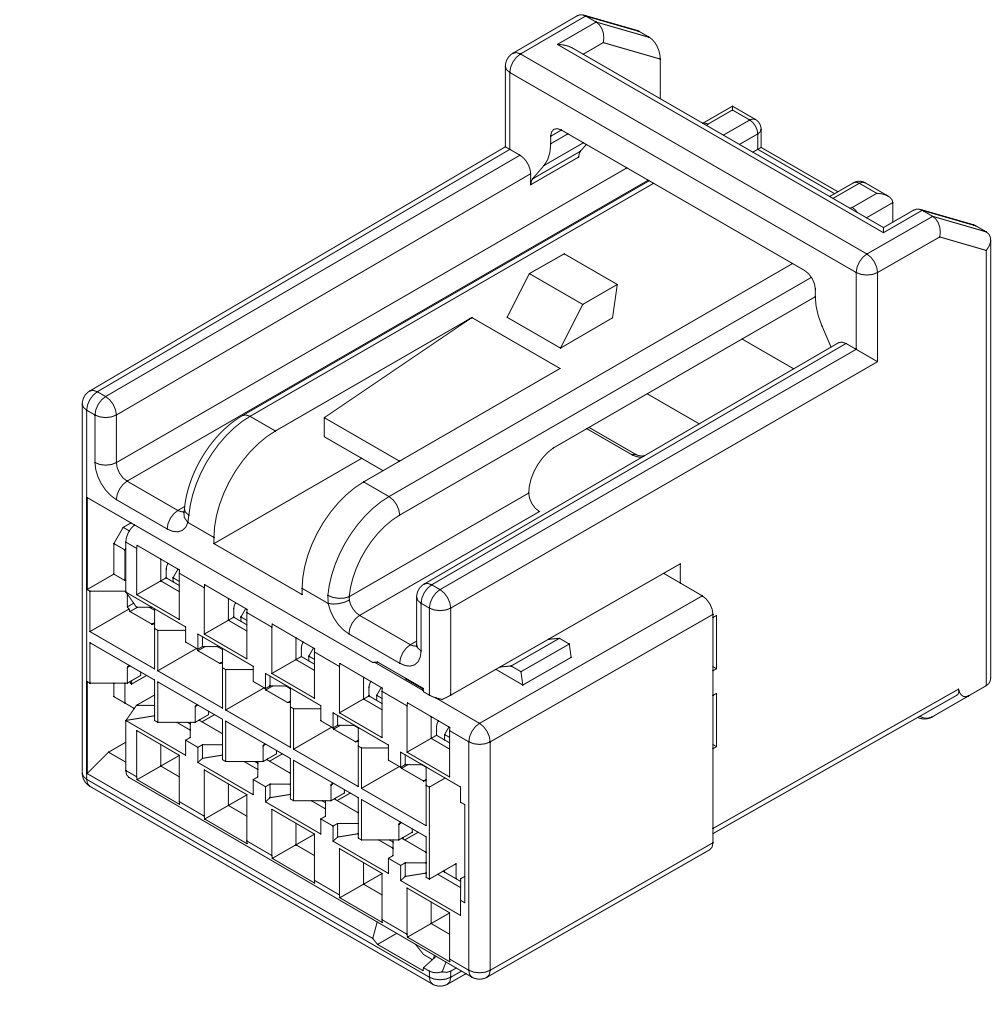
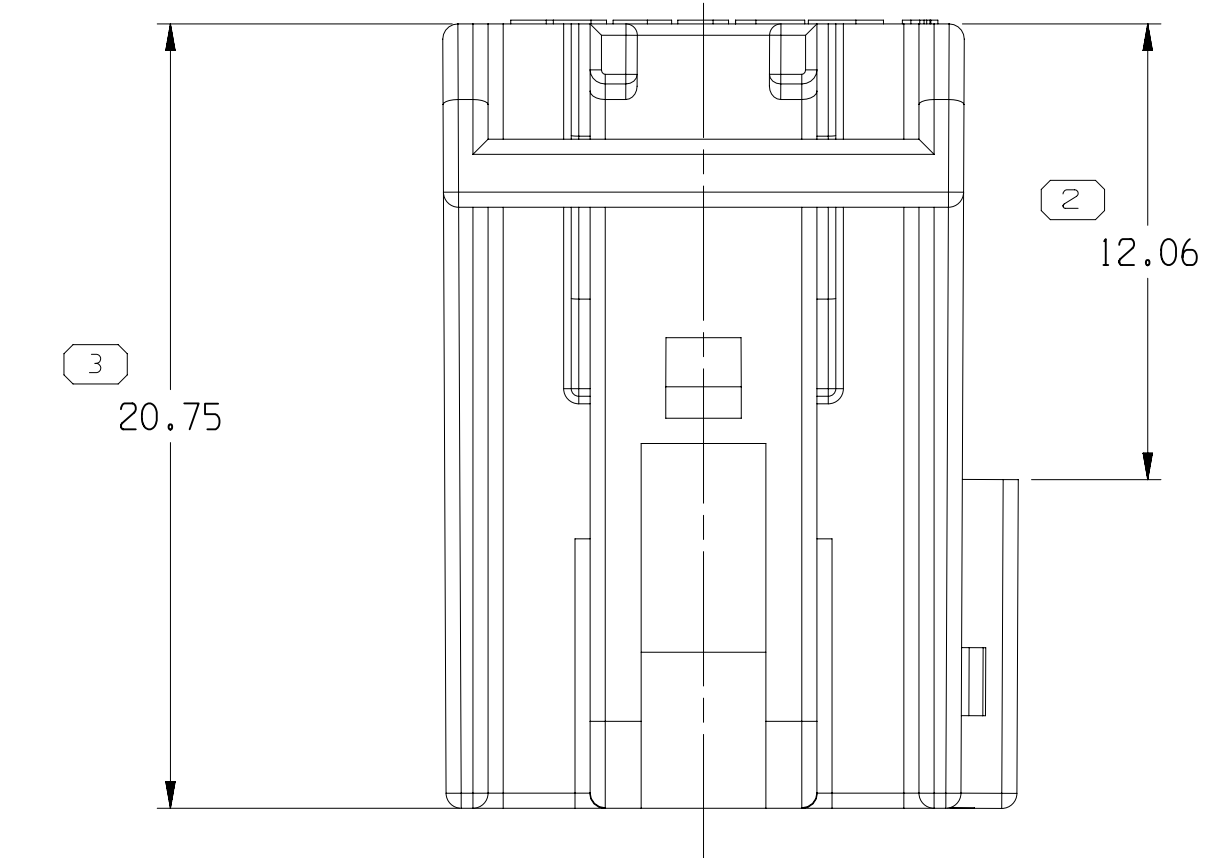
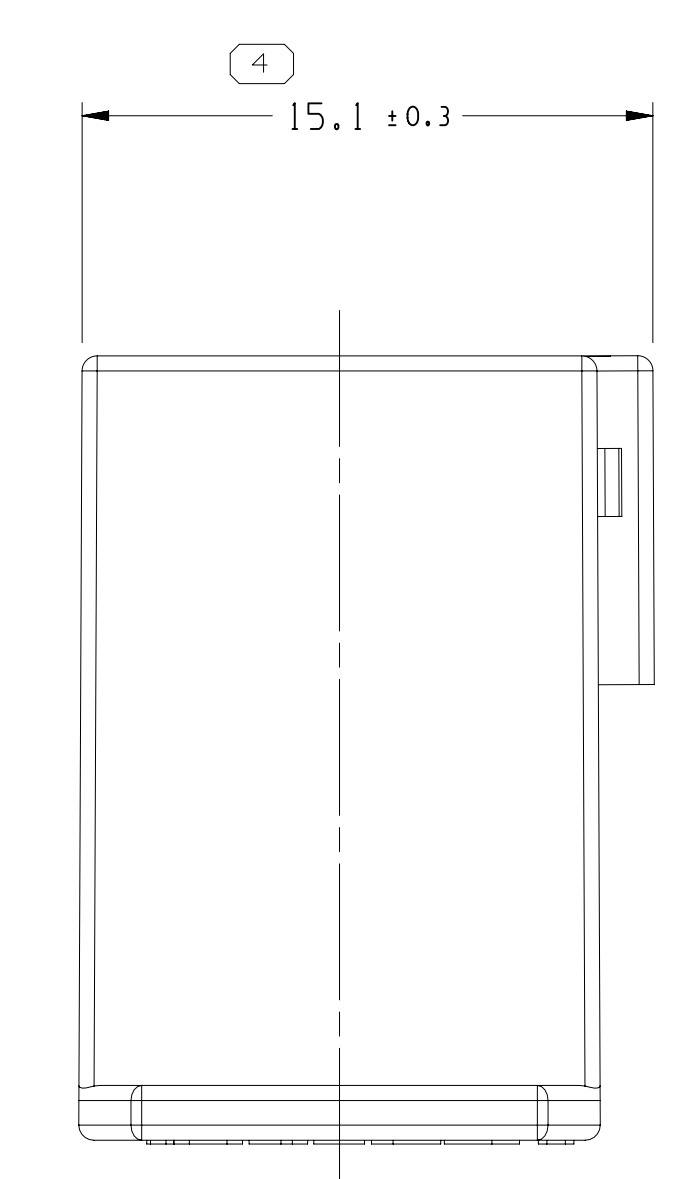


SYMBOL DEFINITION		TOTAL NO OF INSPECTIONS REQUIRED	24
A DIMENSION WITHOUT AN INSPECTION REPORT SYMBOL () DOES NOT REQUIRE INSPECTION. IT MAY BE CONTROLLED ON THE INDIVIDUAL COMPONENT DRAWING.		LAST NO. USED	11

MISSING SYMBOLS		NO MISSING SYMBOL NUMBER		DATE		REV		ZONE		REVISION HISTORY		AUTH		DR		APVD	
28AU14	R	01	-	-	-	-	-	-	-	ALL PARTS - RELEASE PART DRAWING		427414	AHG	JWM	CFH		
170C14	R	02	-	-	-	-	-	-	-	ALL PARTS - UPDATED CONN		427964	ORA	JWM	CFH		
07AL15	R	03	-	-	-	-	-	-	-	ALL PARTS - REVISED GRAPHICS		430141	CFH	CFH	CFH		
12AU15	R	04	-	-	-	-	-	-	-	ALL PARTS - UPDATED PART AVAILABILITY		430364	CFH	CFH	CFH		
13SE18	R	05	-	-	-	-	-	-	-	ALL PARTS - ADDED DIM 2X (2.54) (2 PLCS) - 2X (5.08) (2 PLCS), 5X (1.27) (2 PLCS) AND 2X (0) (1 PLCS)		441022	AHY	AHY	CFH		
03FE22	R	06	-	-	-	-	-	-	-	35643073 - RELEASED		556460	BLG	JAA	JCS		
17MY22	R	07	-	-	-	-	-	-	-	35643073 - UPDATED PART AVAILABILITY (P/N WAS AVAILABLE)		557471	ESG	JAA	MFA		



TYPE 101



NOTES

- UNLESS OTHERWISE SPECIFIED AND/OR INDICATED:
DIMENSIONS ARE TO FACE OF VIEW SHOWN AND AUTOMATICALLY ROUNDED BY COMPUTER FOR INSPECTION (SEE MATH MODEL FOR PRECISE DIMENSIONS). FOR ALL OTHER DIMENSIONS NOT SHOWN BUT REQUIRED FOR TOOL BUILD, SEE MATH MODEL FOR PRECISE TOOL PATH DATA.
- THIS PRODUCT IS NOT CATEGORIZED AS AN APPEARANCE ITEM, MINOR IMPERFECTIONS INCLUDING, BUT NOT LIMITED TO, FLOW MARKS, COLOR BLEMISHES, GATE VESTIGE, AND SOFT FLASH THAT DO NOT AFFECT THE FIT, FORM, OR FUNCTION OF THE PART ARE PERMISSIBLE PER EANP-4-3_CS.01-EN.
- THIS PART IS NOT CONTROLLED FOR AUTOMATIC FEEDING.
- FOR APPLICATION DATA SEE THE INDIVIDUAL APPLICATION DRAWINGS.
- TO ASSURE CORRECT TERMINAL POSITION, AN ELECTRICAL TEST HOLDER APPROVED BY BOTH THE APTIV CONNECTION SYSTEMS NORTH AMERICA PRODUCT LINE ENGINEER AND ASSEMBLY TOOLING BUSINESS UNIT MUST BE USED. FAILURE TO USE AN APPROVED TEST HOLDER MAY RESULT IN UNSEATED TERMINALS.
- CORPORATE BRAND TO BE APPLIED TO PRODUCT DESIGN PER THE LATEST REVISION OF ESD 51085201.

PART NO	REV	N/P	CONNECTOR	LOCK PLR	TYPE
35643073	01	AA	33179140	35643071	105
33190055	03	AB	33179143	33188790	104
33190054	03	AB	33179142	33188790	103
33190053	03	AB	33179141	33188790	102
33188791	03	AB	33179140	33188790	101

APTIV	
CONNECTION SYSTEMS	
WARREN, OH	
COPYRIGHT 2014 APTIV. ALL RIGHTS RESERVED.	
THIS DRAWING IS THE PROPERTY OF APTIV AND CONTAINS APTIV CONFIDENTIAL INFORMATION. THE REPRODUCTION, DISTRIBUTION AND UTILIZATION OF THIS DOCUMENT OR ITS RELATED CAD DATA, AS WELL AS COMMUNICATION OF ANY CONTENT TO OTHERS, WITHOUT EXPRESS AUTHORIZATION, IS PROHIBITED.	
DR	DATE
APVD1: ARMANDO HERNANDEZ	28AU14
APVD2: J. VILLAMIL	28AU14
APVD3: CINTHYA FRAGA	28AU14
APVD4:	
APVD5:	
SUBSTANCES OF CONCERN AND RECYCLED CONTENT PER APTIV 10949001	
MATERIAL SEC CHART	
DRAWING NUMBER	
TAXI ASM CONN 10 F OCS 0.64	
DRAWING NUMBER	
33190818	
SIZE	SCALE
A0	5:1
FRAME NO	SHEET NO
1	1
REV	NO
R	07

DIMENSIONAL RANGE (MM)		CHART	
FROM	TO	1	2
> 0	> 20	> 30	> 70
> 20	> 30	> 70	> 100
> 30	> 70	> 100	> 150
> 70	> 100	> 150	> 200
> 100	> 150	> 200	> 250
> 150	> 200	> 250	> 300
> 200	> 250	> 300	> 400
TOLERANCE (UNLESS OTHERWISE SPECIFIED)			
±0.15 ±0.2 ±0.3 ±0.4 ±0.5 ±0.6 ±0.8 ±1 ±1.2			
ANGULAR TOLERANCE 12°			

THIRD ANGLE PROJECTION

DO NOT SCALE USE MATH DATA

APPROVED BY: [Signature]

DATE: 19-May-22

TIME: 10:07:38

Mouser Electronics

Authorized Distributor

Click to View Pricing, Inventory, Delivery & Lifecycle Information:

[Aptiv:](#)

[33190053](#)