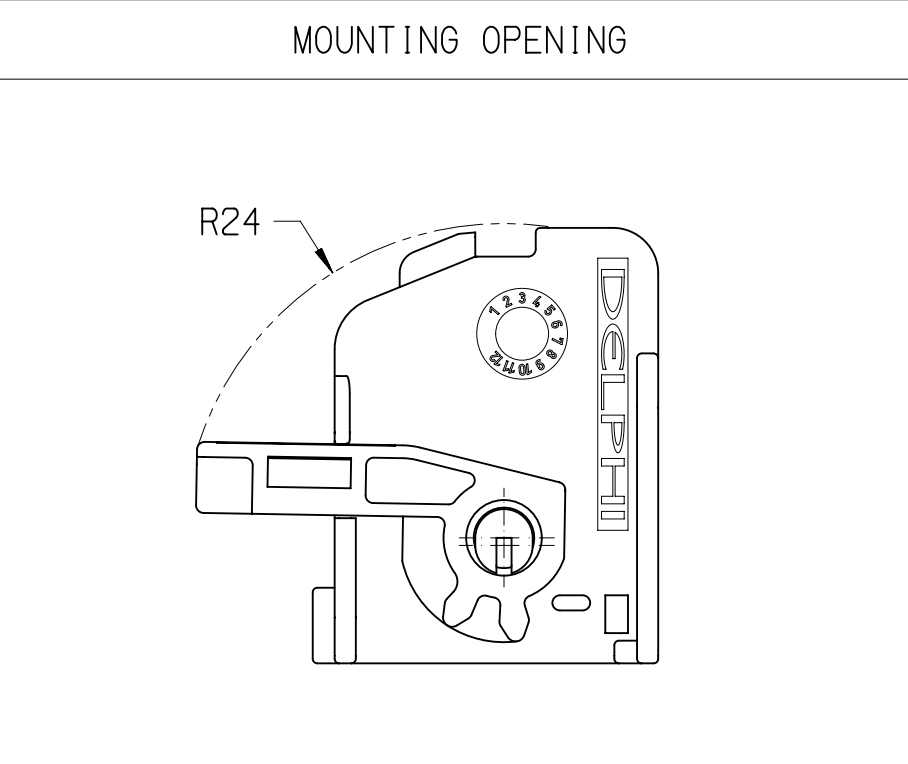
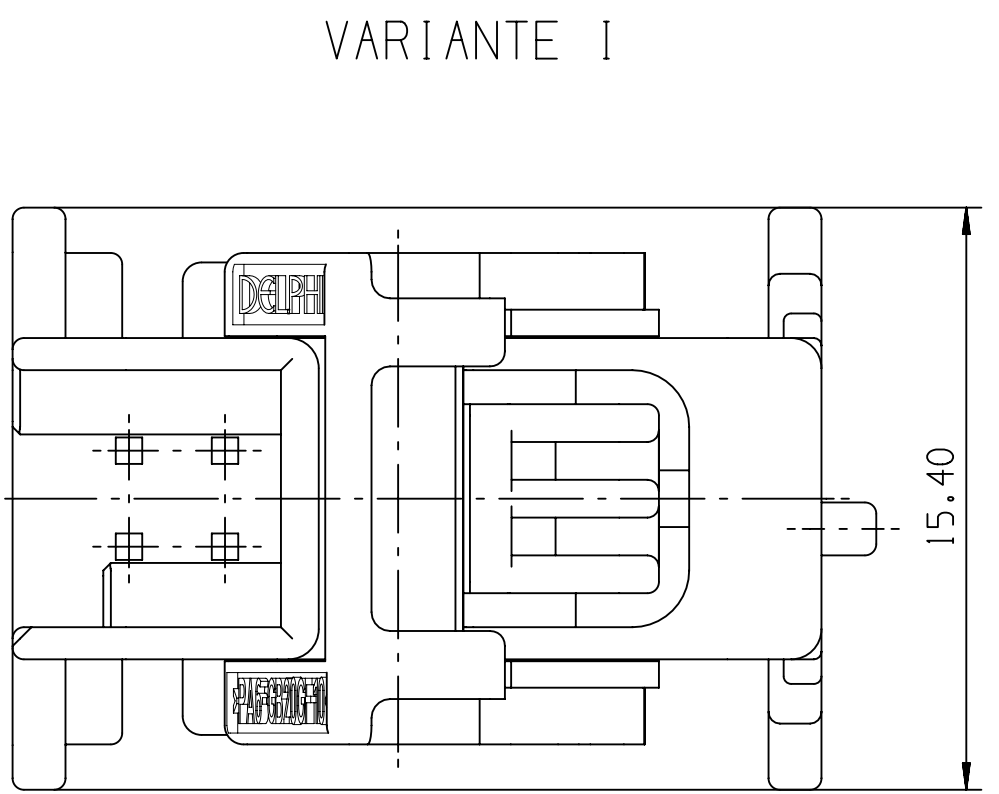
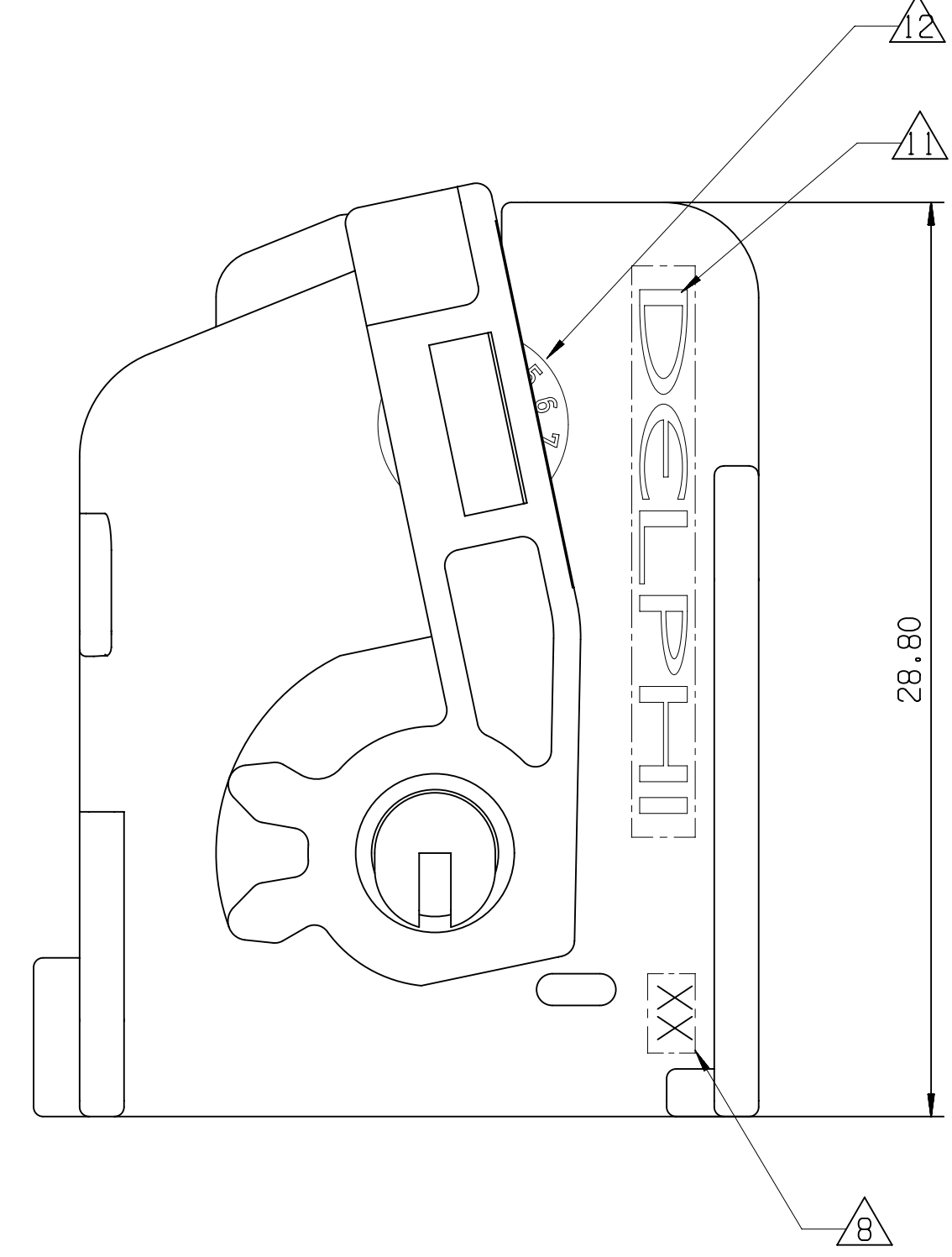
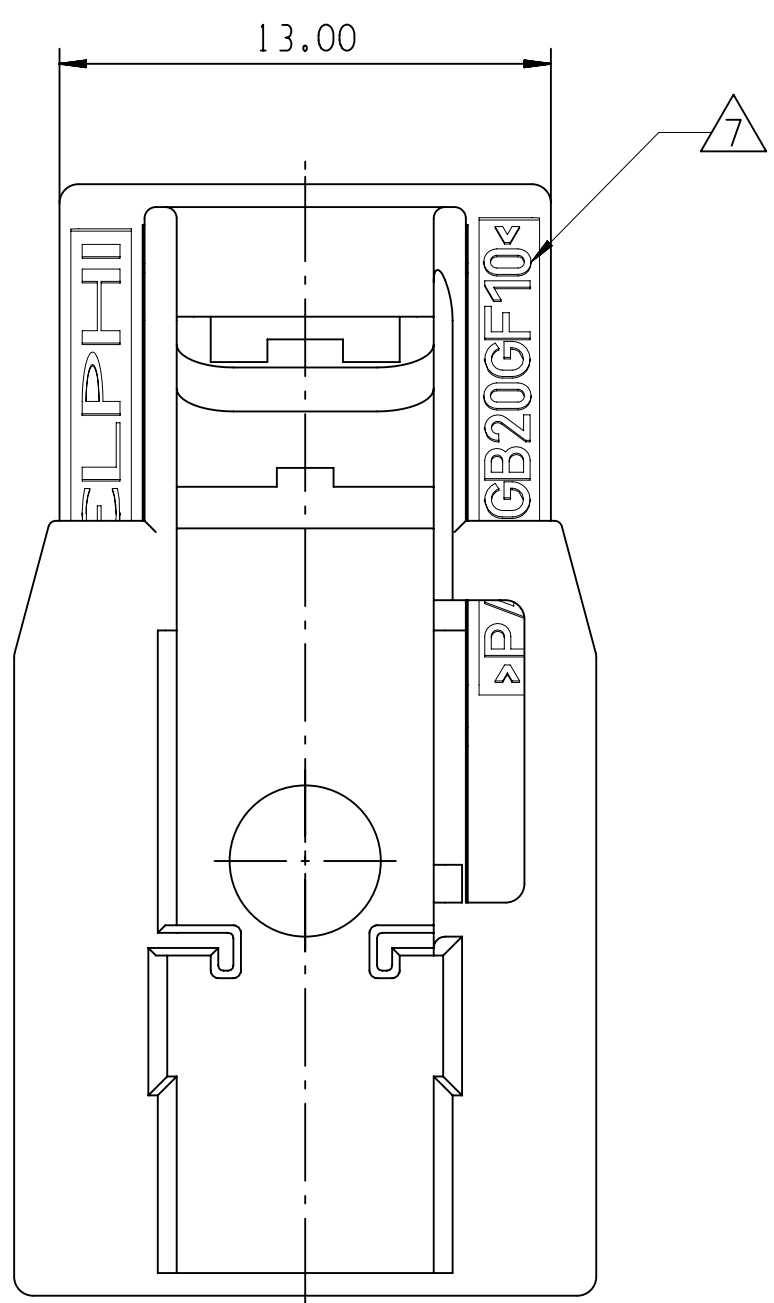
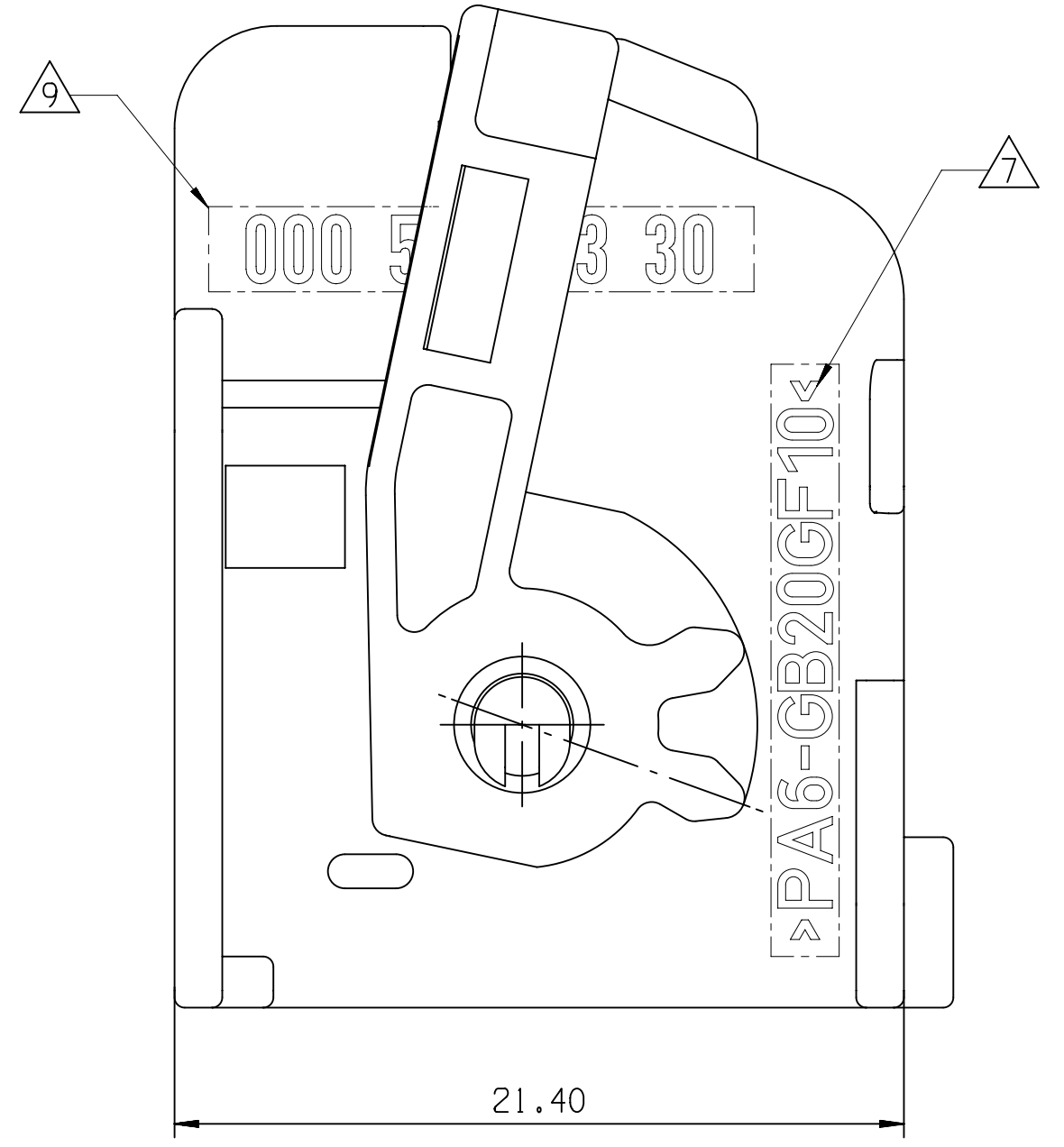
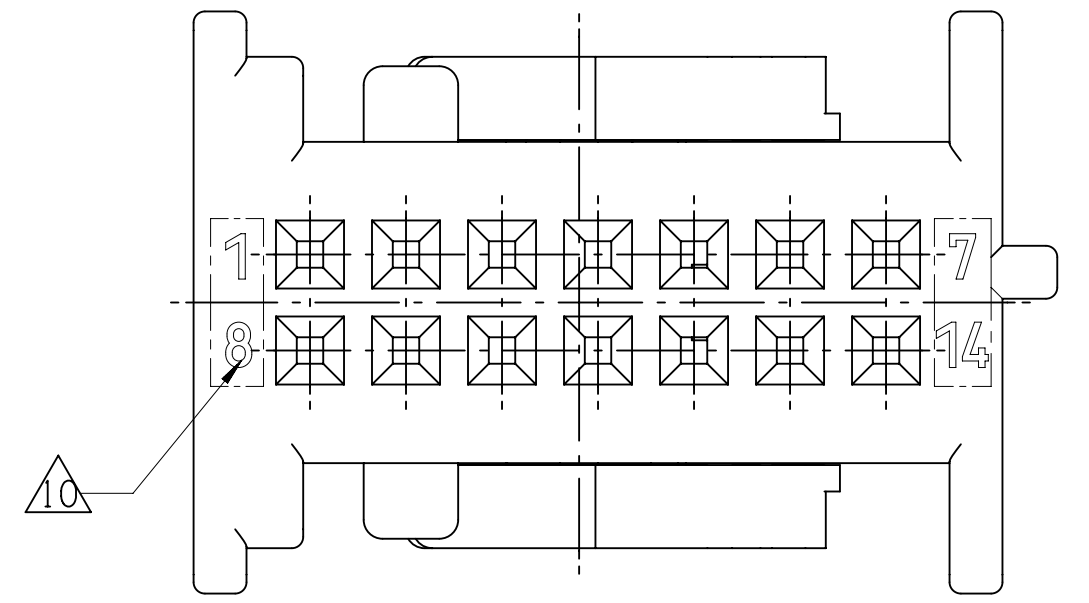


COVER AND LEVER 14 WAY	
APTIV P/N	CODING
15340830	CODING - A
15344733	CODING - B
15344736	CODING - C
15344739	CODING - D



ASSOCIATED PARTS (FOR INFORMATION)	
DESCRIPTION	APTIV P/N
CONTACT SUPPORT 14-WAY FOR 0.64 MOS	10719999

COVER AND LEVER 14 WAY	D	15344739	COVER FOR INSERT 14 WAY	15344738	PA6 GB20GF10	VIOLET	1
				LEVER	10719322	PA6 GB20GF10	BLACK
	C	15344736	COVER FOR INSERT 14 WAY	15344735	PA6 GB20GF10	BLUE	1
			LEVER	10719322	PA6 GB20GF10	BLACK	2
	B	15344733	COVER FOR INSERT 14 WAY	15344732	PA6 GB20GF10	NATURAL	1
			LEVER	10719322	PA6 GB20GF10	BLACK	2
	A	15340830	COVER FOR INSERT 14 WAY	10720001	PA6 GB20GF10	BLACK	1
			LEVER	10719322	PA6 GB20GF10	BLACK	2
	CODE	APTIV NUMBER	DESCRIPTION	APTIV PART NUMBER	MATERIAL	COLOR	NO.

NOTE	SPECIFICATIONS
1	FEMALE CONNECTOR ACCORDING TO APTIV SPECIFICATION: CAQE TBD
2	FEMALE CONNECTOR ACCORDING TO: -TEMPERATURE CLASS T2 -ENGINE VIBRATOR CLASS V1 -SEALING CLASS E0
3	USER'S MANUAL: TBD
4	DELIVERY CONNECTOR WEIGHT : 27g
5	NO WAFER HINGE OR WAFER HINGE BROKEN ALLOWED
6	VISUAL DEFECTS ON NO FUNCTIONAL AREAS ALLOWED
△	MATERIAL CODE
△	MOLD CAVITY NUMBER
△	PART REVISION NUMBER
△	WAY NUMBERS
△	SUPPLIER LOGO
△	DATE CLOCK

DATE	BY	CHK	APP
16MR22	R	01	

REV	DATE	BY	CHK	APP
1	16MR22	R	01	

REV	DATE	BY	CHK	APP
1	16MR22	R	01	

REV	DATE	BY	CHK	APP
1	16MR22	R	01	

REV	DATE	BY	CHK	APP
1	16MR22	R	01	

REV	DATE	BY	CHK	APP
1	16MR22	R	01	

REV	DATE	BY	CHK	APP
1	16MR22	R	01	

REV	DATE	BY	CHK	APP
1	16MR22	R	01	

REV	DATE	BY	CHK	APP
1	16MR22	R	01	

REV	DATE	BY	CHK	APP
1	16MR22	R	01	

REV	DATE	BY	CHK	APP
1	16MR22	R	01	

REV	DATE	BY	CHK	APP
1	16MR22	R	01	

REV	DATE	BY	CHK	APP
1	16MR22	R	01	

REV	DATE	BY	CHK	APP
1	16MR22	R	01	

REV	DATE	BY	CHK	APP
1	16MR22	R	01	

REV	DATE	BY	CHK	APP
1	16MR22	R	01	

REV	DATE	BY	CHK	APP
1	16MR22	R	01	

REV	DATE	BY	CHK	APP
1	16MR22	R	01	

REV	DATE	BY	CHK	APP
1	16MR22	R	01	

REV	DATE	BY	CHK	APP
1	16MR22	R	01	

REV	DATE	BY	CHK	APP
1	16MR22	R	01	

REV	DATE	BY	CHK	APP
1	16MR22	R	01	

REV	DATE	BY	CHK	APP
1	16MR22	R	01	

REV	DATE	BY	CHK	APP
1	16MR22	R	01	

REV	DATE	BY	CHK	APP
1	16MR22	R	01	

REV	DATE	BY	CHK	APP
1	16MR22	R	01	

REV	DATE	BY	CHK	APP
1	16MR22	R	01	

REV	DATE	BY	CHK	APP
1	16MR22	R	01	

REV	DATE	BY	CHK	APP
1	16MR22	R	01	

REV	DATE	BY	CHK	APP
1	16MR22	R	01	

REV	DATE	BY	CHK	APP
1	16MR22	R	01	

REV	DATE	BY	CHK	APP
1	16MR22	R	01	

REV	DATE	BY	CHK	APP
1	16MR22	R	01	

REV	DATE	BY	CHK	APP
1	16MR22	R	01	

REV	DATE	BY	CHK	APP
1	16MR22	R	01	

REV	DATE	BY	CHK	APP
1	16MR22	R	01	

REV	DATE	BY	CHK	APP
1	16MR22	R	01	

REV	DATE	BY	CHK	APP
1	16MR22	R	01	

REV	DATE	BY	CHK	APP
1	16MR22	R	01	

REV	DATE	BY	CHK	APP
1	16MR22	R	01	

REV	DATE	BY	CHK	APP
1	16MR22	R	01	

REV	DATE	BY	CHK	APP
1	16MR22	R	01	

REV	DATE	BY	CHK	APP
1	16MR22	R	01	

REV	DATE	BY	CHK	APP
1	16MR22	R	01	

REV	DATE	BY	CHK	APP
1	16MR22	R	01	

REV	DATE	BY	CHK	APP
1	16MR22	R	01	

REV	DATE	BY	CHK	APP
1	16MR22	R	01	

REV	DATE	BY	CHK	APP
1	16MR22	R	01	

REV	DATE	BY	CHK	APP
1	16MR22	R	01	

REV	DATE	BY	CHK	APP
1	16MR22	R	01	

REV	DATE	BY	CHK	APP
1	16MR22	R	01	

REV	DATE	BY	CHK	APP
1	16MR22	R	01	

REV	DATE	BY	CHK	APP
1	16MR22	R	01	

REV	DATE	BY	CHK	APP
1	16MR22	R	01	

REV	DATE	BY	CHK	APP
1	16MR22	R	01	

REV	DATE	BY	CHK	APP
1	16MR22	R	01	

REV	DATE	BY	CHK	APP
1	16MR22	R	01	

REV	DATE	BY	CHK	APP
1	16MR22	R	01	

REV	DATE	BY	CHK	APP
1	16MR22	R	01	

REV	DATE	BY	CHK	APP
1	16MR22	R	01	

REV	DATE	BY	CHK	APP
1	16MR22	R	01	

REV	DATE	BY	CHK	APP
1	16MR22	R	01	

REV	DATE	BY	CHK	APP
1	16MR22	R	01	

REV	DATE	BY	CHK	APP
1	16MR22	R	01	

Mouser Electronics

Authorized Distributor

Click to View Pricing, Inventory, Delivery & Lifecycle Information:

[Aptiv:](#)

[15340830](#)