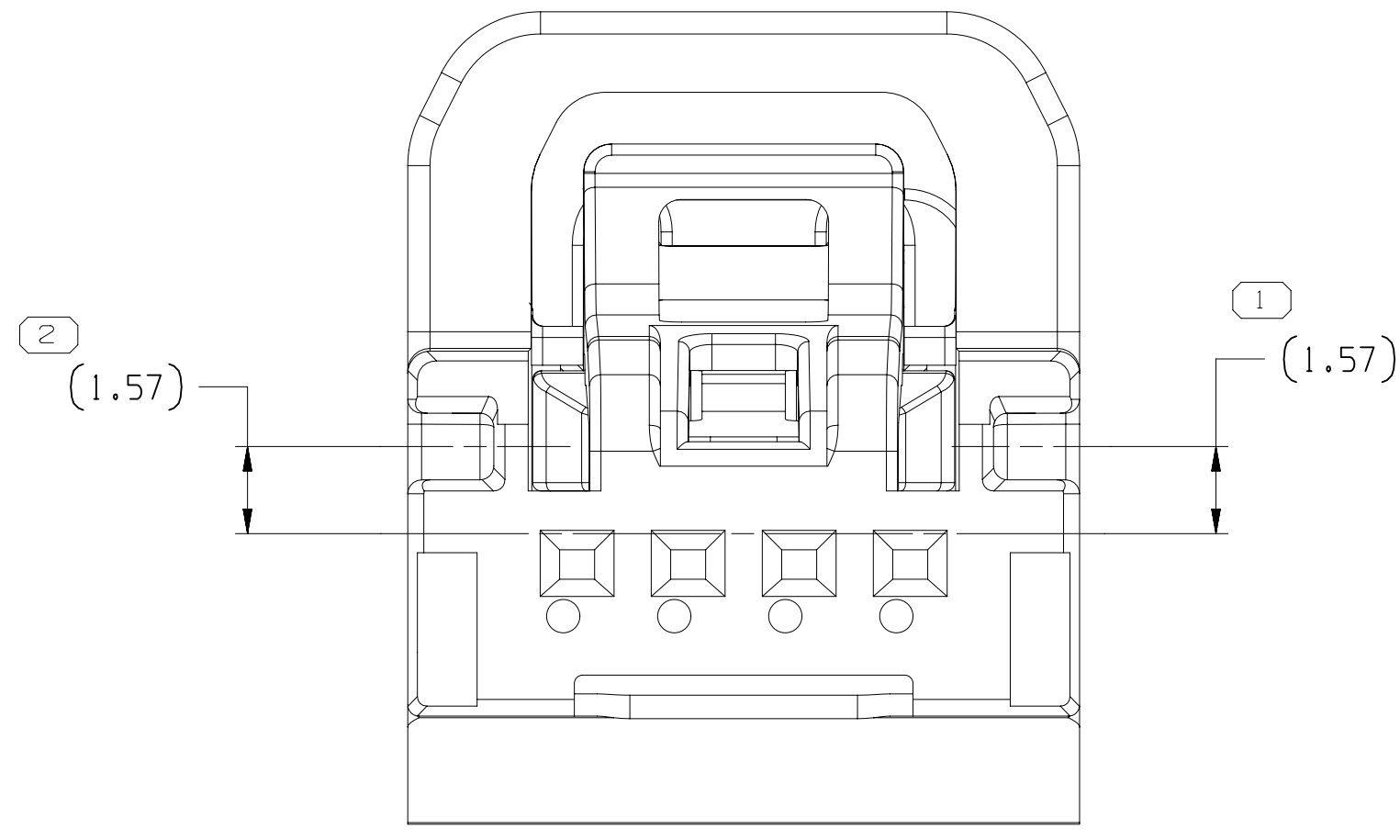
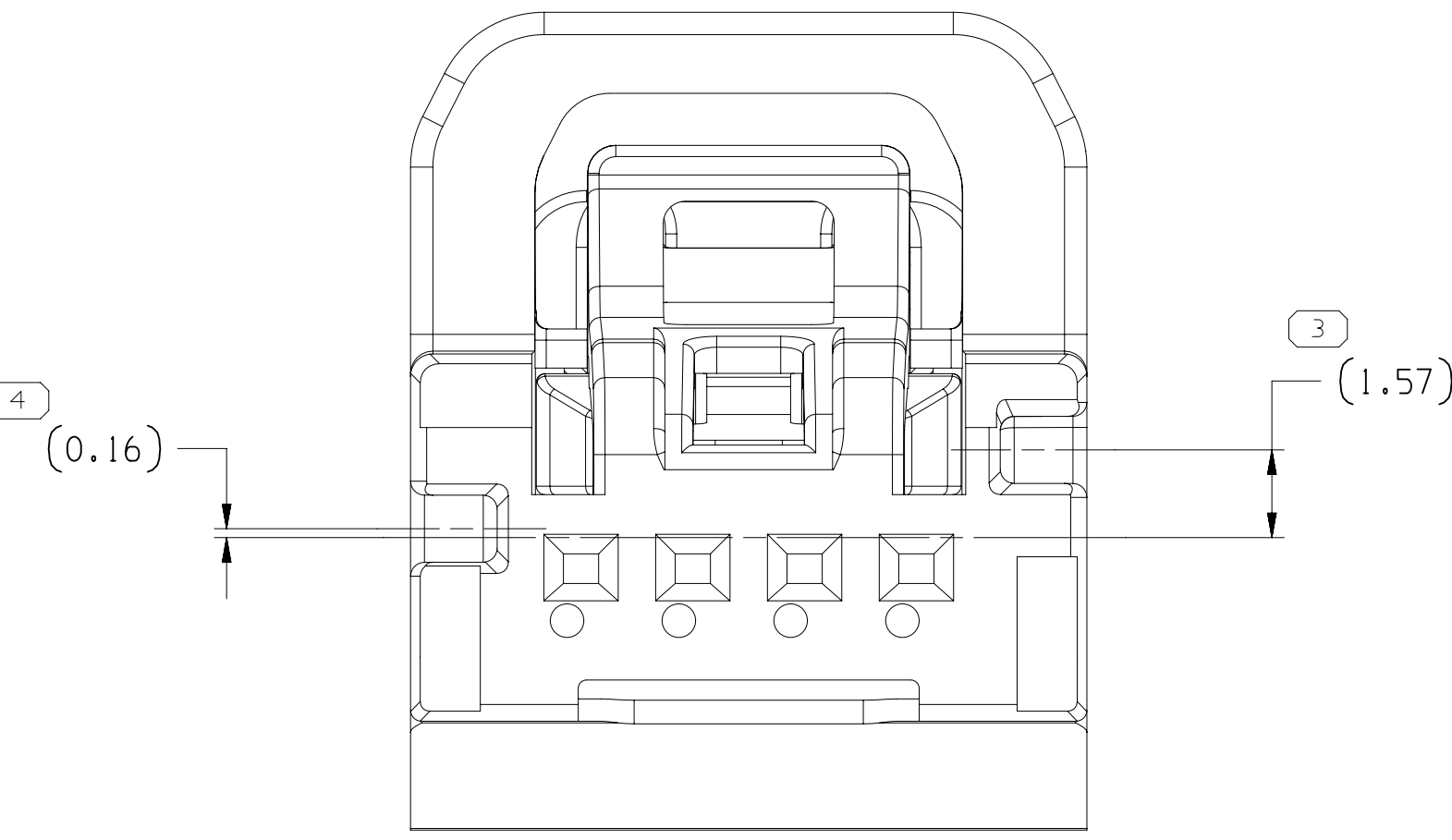
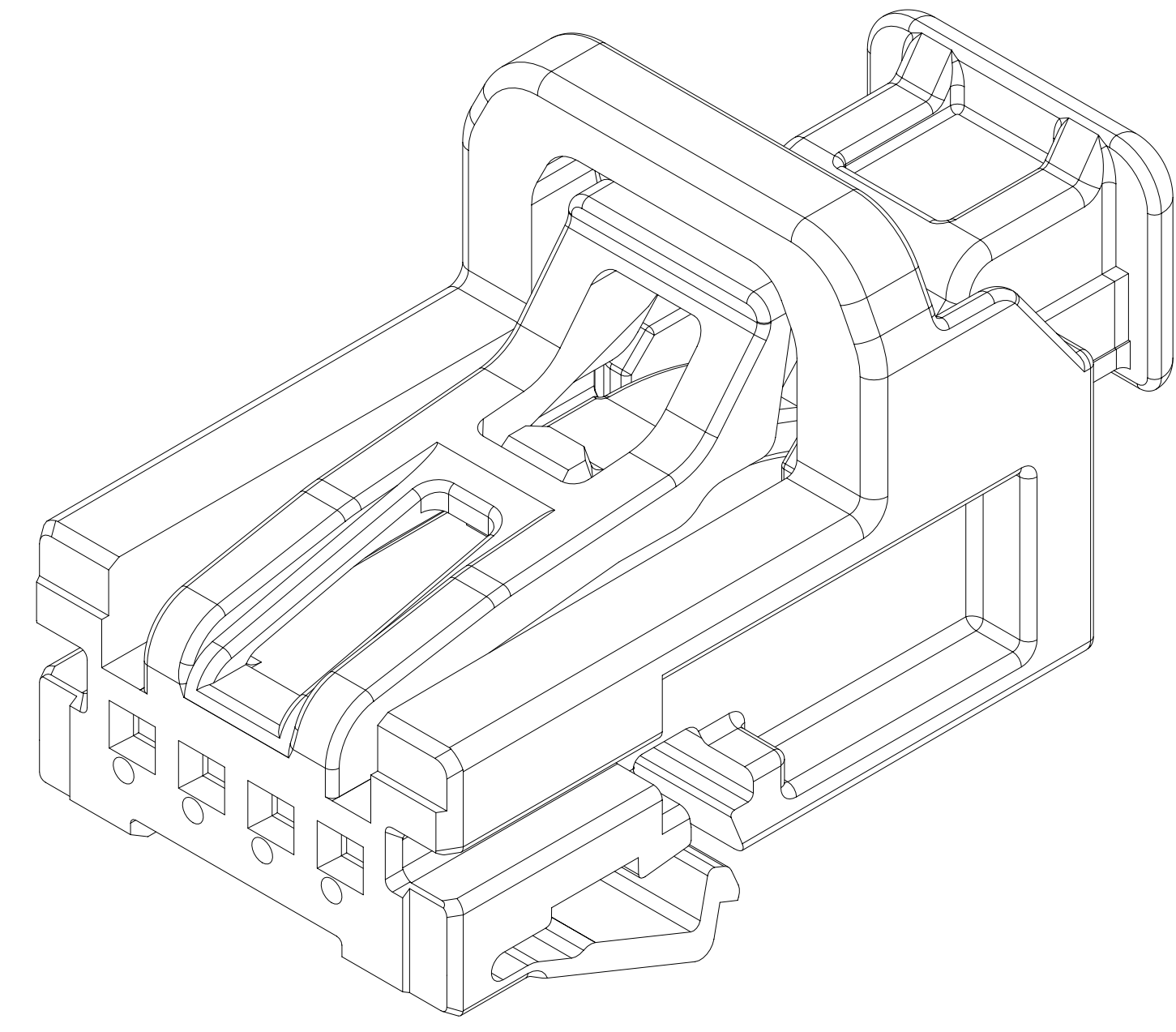
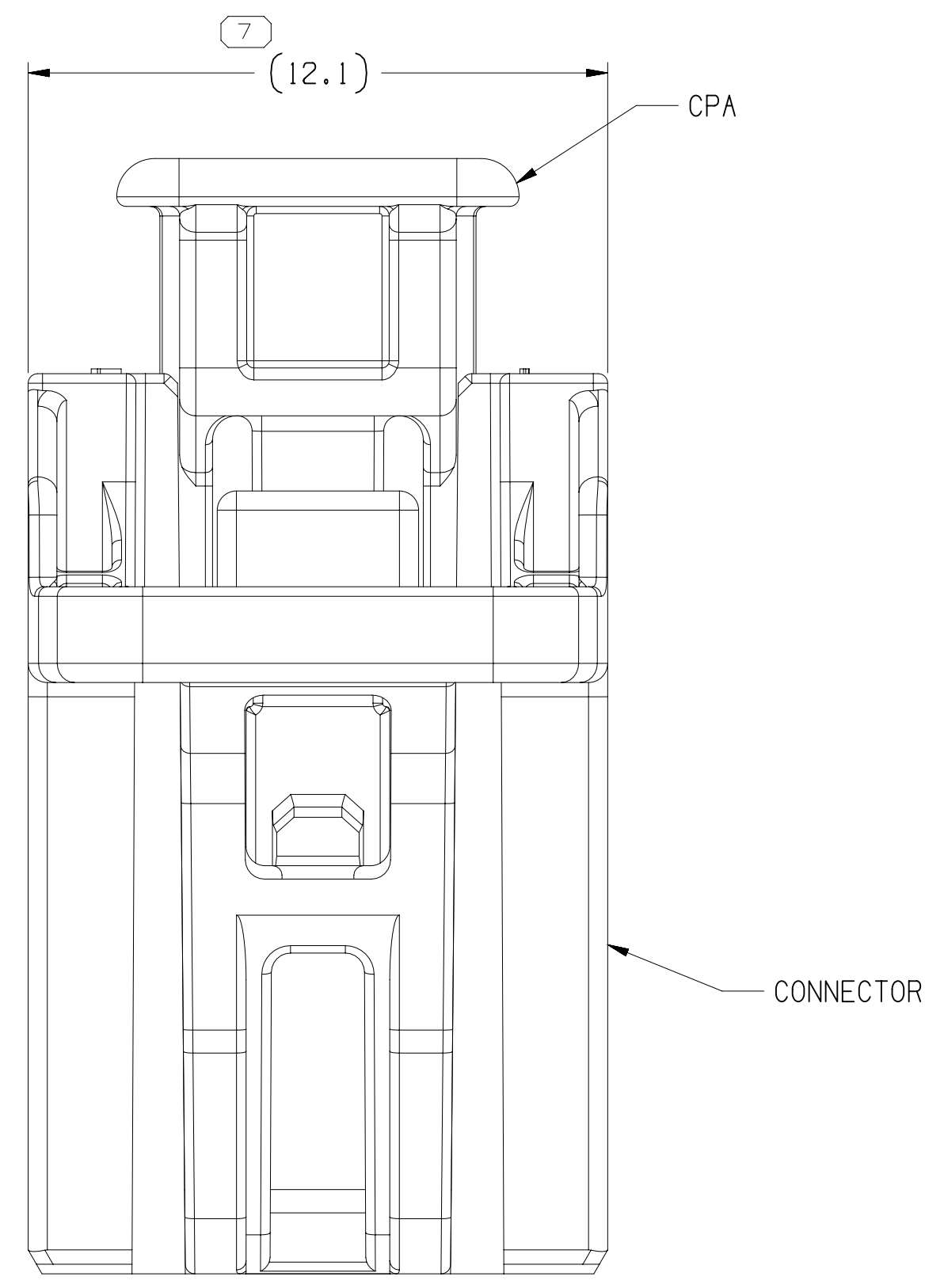


SYMBOL DEFINITION			MISSING SYMBOLS		
○	A DIMENSION WITHOUT AN INSPECTION REPORT SYMBOL DOES NOT REQUIRE INSPECTION. IT MAY BE CONTROLLED ON THE INDIVIDUAL COMPONENT DRAWING.		NO MISSING SYMBOL NUMBER		
		TOTAL NO OF INSPECTIONS REQUIRED	20		
		LAST NO. USED	16		

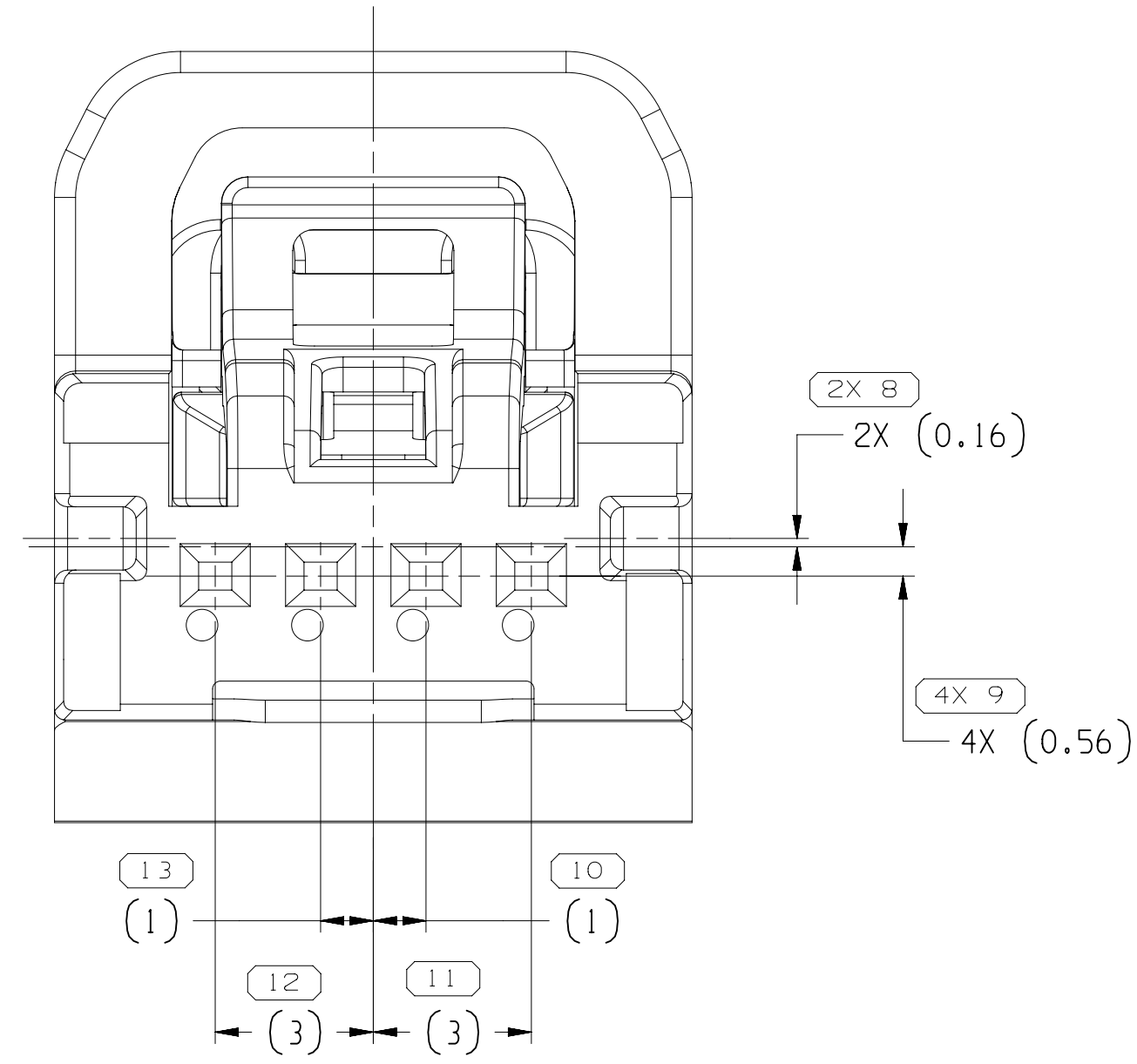
DWG STATUS			REVISION HISTORY				AUTH	DR	APVD	REV
DATE	STG	REV	N/P	CHG	ZONE					
09NO17	R	01	-	-	-	ALL PARTS - RELEASED PART DRAWING	436919	NKS	RRR	EH
14JN18	R	02	-	-	-	ALL PARTS - REVISED NOTE #03	440094	NKS	NKS	EH
21SE18	R	03	-	-	-	ALL PARTS - REVISED GRAPHICS: 3506B218 - UPDATED PART AVAILABILITY	441028	SM	RRR	EG
10AU21	R	04	-	-	-	3506B220 & 21 - UPDATED PART AVAILABILITY	555044	AGC	AGC	CMW



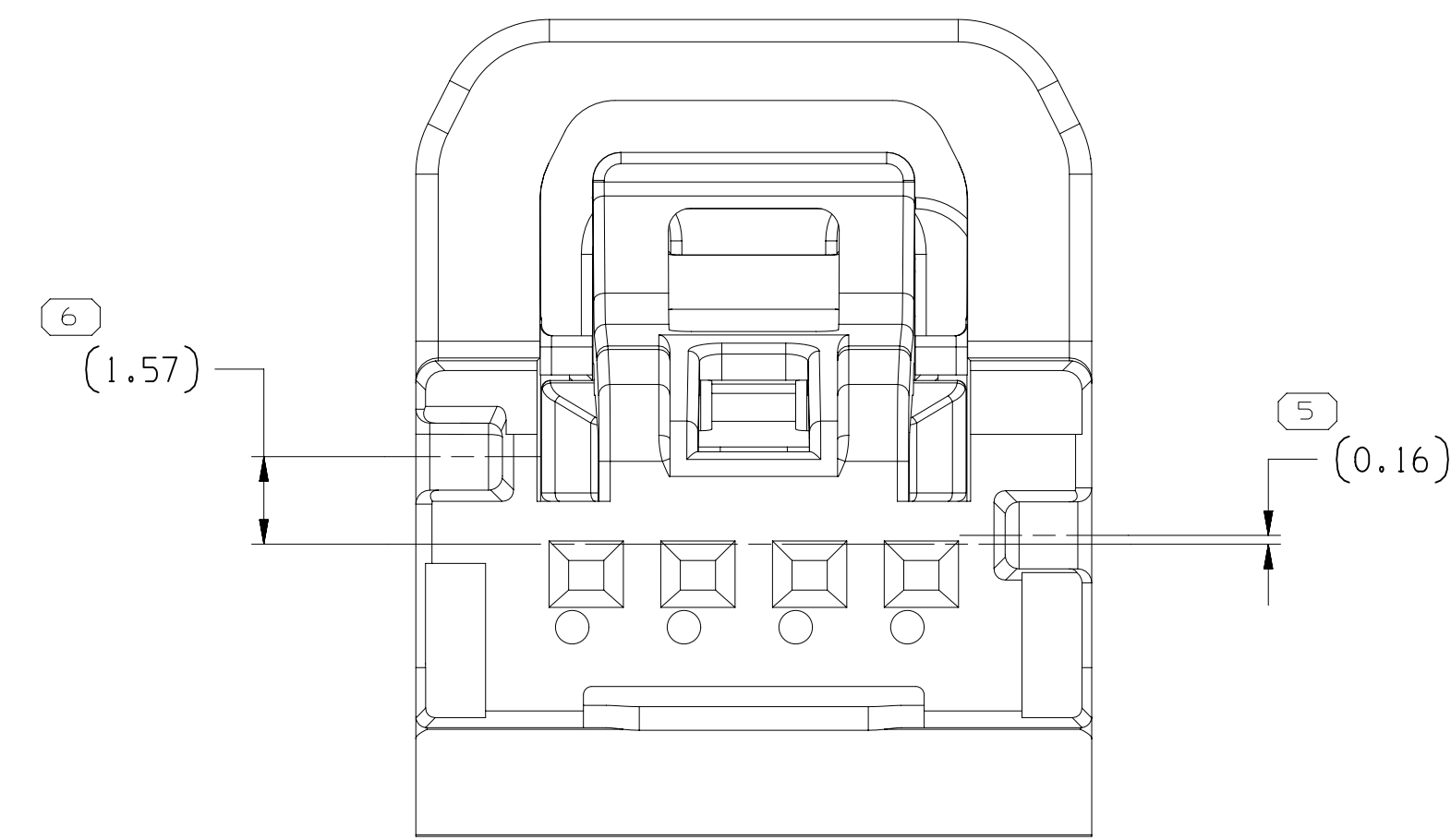
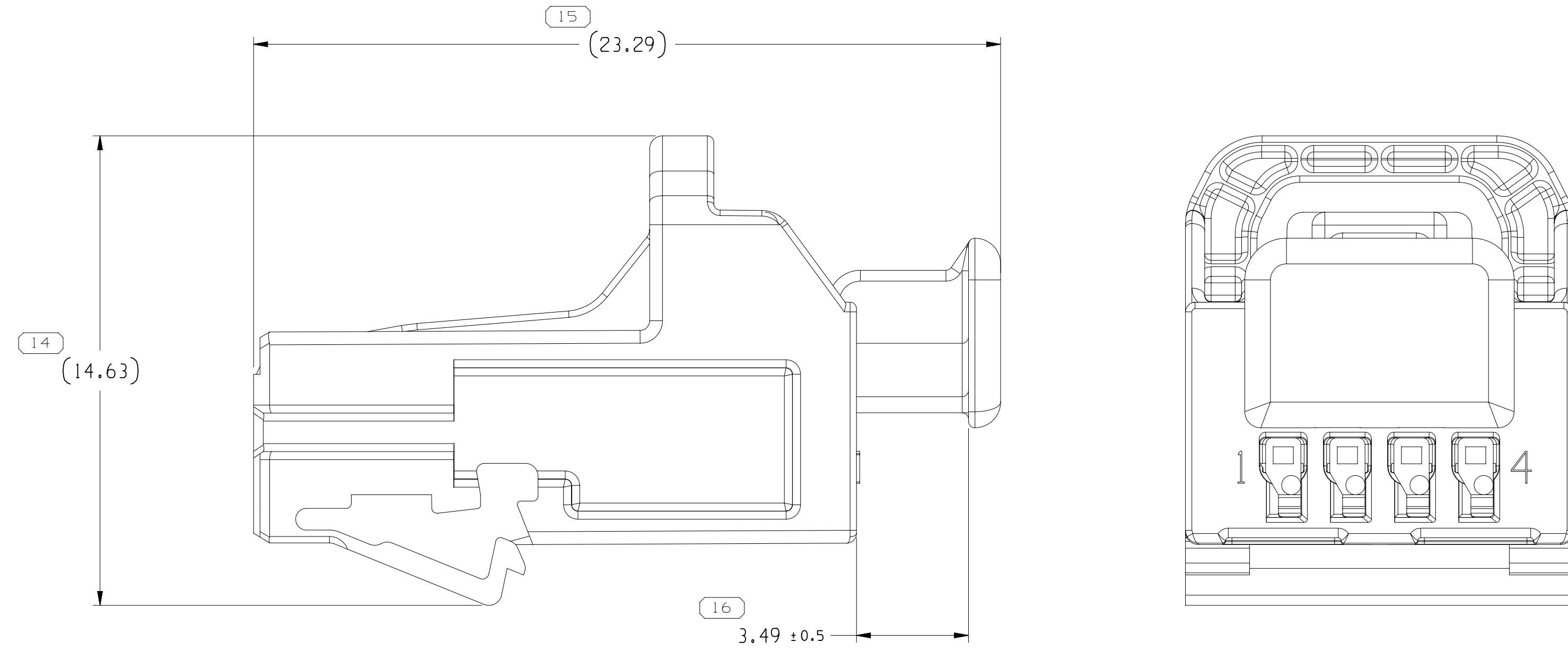
TYPE 102  
SAME AS TYPE 101  
EXCEPT AS SHOWN



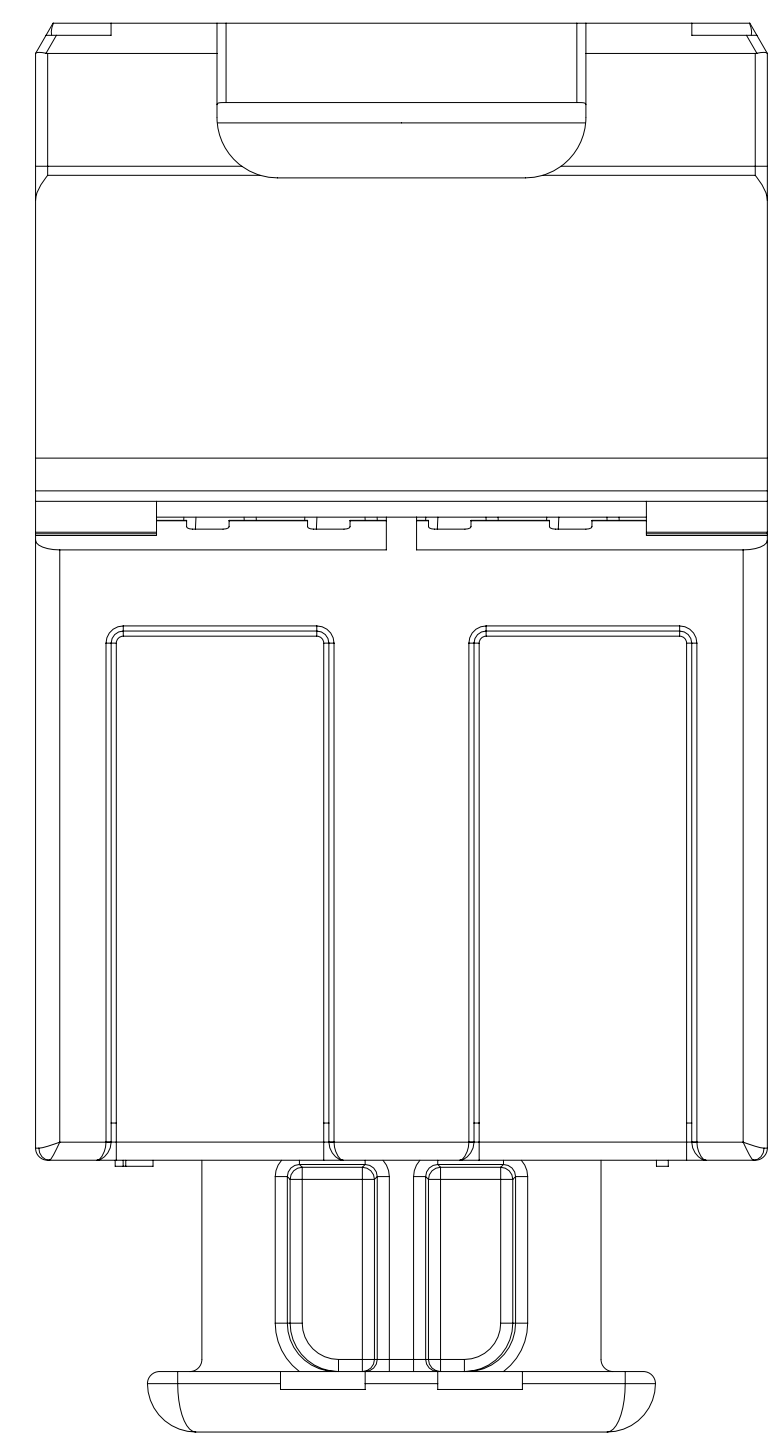
TYPE 103  
SAME AS TYPE 101  
EXCEPT AS SHOWN



TYPE 101



TYPE 104  
SAME AS TYPE 101  
EXCEPT AS SHOWN



NOTES

- UNLESS OTHERWISE SPECIFIED AND/OR INDICATED: DIMENSIONS ARE TO FACE OF VIEW SHOWN AND AUTOMATICALLY ROUNDED BY COMPUTER FOR INSPECTION (SEE MATH MODEL FOR PRECISE DIMENSIONS). FOR ALL OTHER DIMENSIONS NOT SHOWN BUT REQUIRED FOR TOOL BUILD, SEE MATH MODEL FOR PRECISE TOOL PATH DATA.
- WHEN PARTS ARE SHIPPED THEY MUST BE PACKED IN PLASTIC BAGS OR SHIPPING CONTAINERS MUST BE LINED WITH PLASTIC LINERS. BAGS OR LINERS MUST BE SEALED TO AVOID FOREIGN MATTER.
- SEALING CODE 1 - DESIGN WILL MEET REQUIREMENTS OF SAE/USCAR-6 UNSEALED CONNECTOR SYSTEM ENVIRONMENTAL TEST FLOWCHART.
- THIS PART IS NOT CONTROLLED FOR AUTOMATIC FEEDING.
- FOR APPLICATION DATA SEE THE INDIVIDUAL APPLICATION DRAWINGS.

PART NO	REV	N/P	TYPE	CONN	CPA
3506B221	02	AB	104	3506B205	333B0638
3506B220	02	AB	103	3506B204	333B0638
3506B219	02	AA	102	3506B203	333B0638
3506B218	02	AA	101	3506B202	333B0638

DIMENSIONAL RANGE (MM)		CHART E1	
FROM	TO	30	100
0	> 30	150	250
30	> 100	200	300
100	> 150	300	400
> 150	> 200	400	

THIRD ANGLE PROJECTION	DO NOT SCALE USE MATH DATA	NX

16 PROCESS SENSITIVE DIMENSION	REFERENCE
--------------------------------	-----------

DR	DATE
APVD1 S NAVEEN	09NO17
APVD2 R RAMASWAMY	09NO17
APVD3 E HOCEVAR	09NO17
APVD4	
APVD5	

MATERIAL SPEC DRAWING

DRAWING NAME: TAXI ASM CONN 4 F 0.50

DRAWING NUMBER: 35068216

SIZE: A0 | SCALE: 10:1 | FRAME NO: 1 OF 1 | SHEET NO: 1 OF 1 | REV: 04

**• APTIV •**  
CONNECTION SYSTEMS  
Dharmat, India  
COPYRIGHT 2017 APTIV. ALL RIGHTS RESERVED.  
THIS DRAWING IS THE PROPERTY OF APTIV AND CONTAINS APTIV CONFIDENTIAL INFORMATION. THE REPRODUCTION, DISTRIBUTION AND UTILIZATION OF THIS DOCUMENT OR ITS RELATED CAD DATA, AS WELL AS COMMUNICATION OF ANY CONTENT TO OTHERS, WITHOUT EXPRESS AUTHORIZATION, IS PROHIBITED.

# Mouser Electronics

Authorized Distributor

Click to View Pricing, Inventory, Delivery & Lifecycle Information:

[Aptiv:](#)  
[35068218](#)