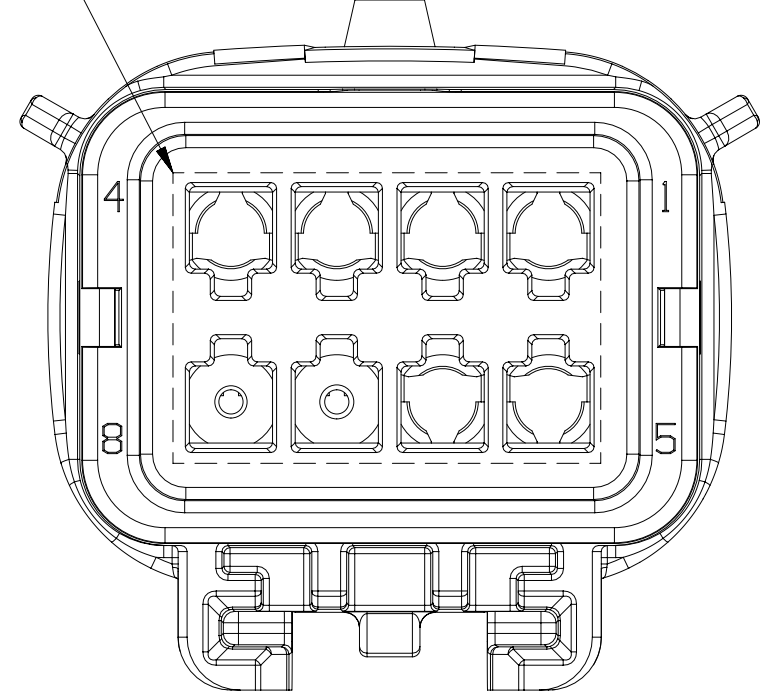
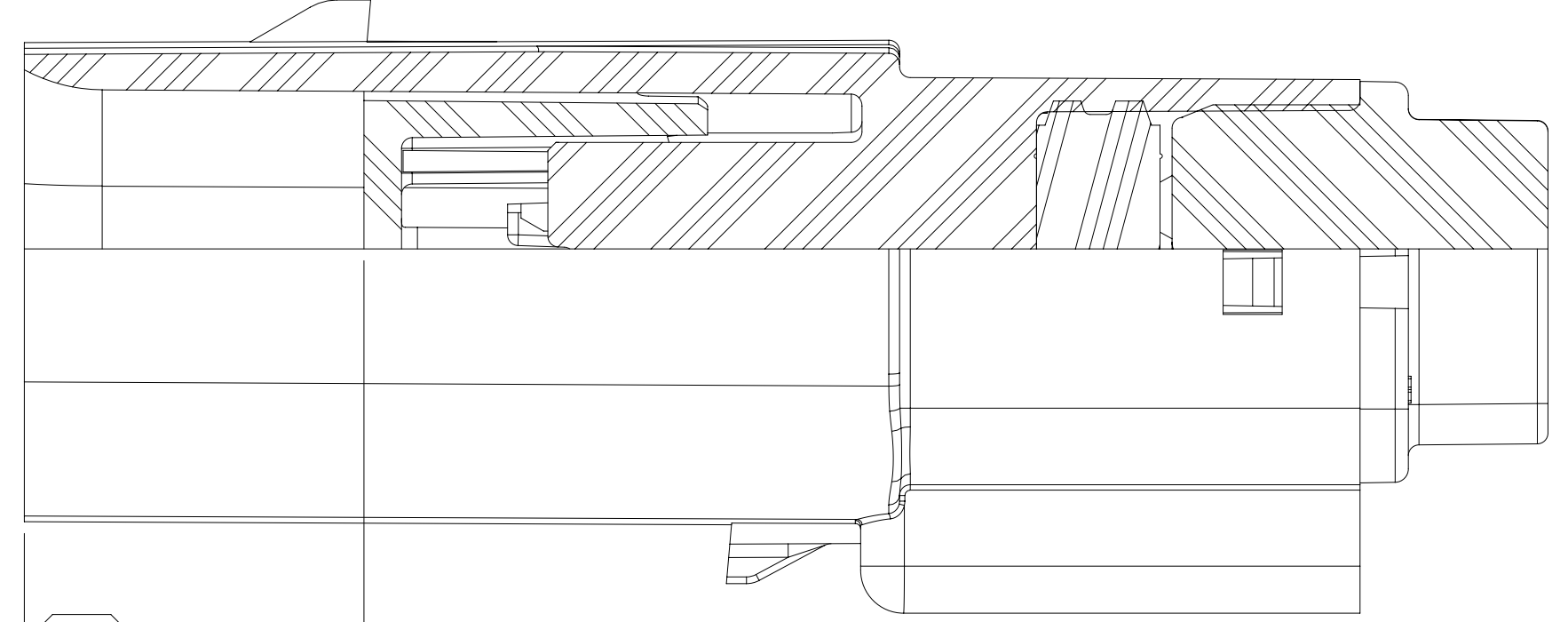


FOR THE DIFFERENT PUNCH PATTERN CONFIGURATIONS SEE CHART.



SYMBOL DEFINITION		TOTAL NO OF INSPECTIONS REQUIRED		MISSING SYMBOLS	
		NO MISSING SYMBOL NUMBER			
A DIMENSION WITHOUT AN INSPECTION REPORT SYMBOL DOES NOT REQUIRE INSPECTION. IT MAY BE CONTROLLED ON THE INDIVIDUAL COMPONENT DRAWING.		36			
		25			

DWS STATUS		ZONE			REVISION HISTORY		AUTH		DR		APVD	
DATE	STG	REV	N/P	CHG								
12DE19	R	01	-	-	ALL PARTS - RELEASED PART DRAWING		550447	JLL	JAA	JAA	JCA	
01AP20	R	02	-	-	35410563 & 35410570-71 - UPDATED PART AVAILABILITY		551422	JAA	JAA	JAA	JCA	
23JN20	R	03	-	-	35464978-79 - RELEASED		551670	JOO	JAA	JAA	JCA	
19JA21	R	04	-	-	35464979 - UPDATED PART AVAILABILITY		553363	GLG	GLG	SV		
09FE21	R	05	-	-	35410551 & 35464978 - UPDATED PART AVAILABILITY		553510	GDM	JGM	SV		
11OC21	R	06	-	-	35603804 - RELEASED		555502	GDM	JAA	SV		
22DE21	R	07	-	-	35617120-23 - RELEASED		555976	JOO	JGO	SV		
14JA22	R	08	-	-	35603804 - UPDATED PART AVAILABILITY		556294	JOO	JAA	SV		
25JA22	R	09	-	-	35635315, 35635317, 35635319 & 35635321 - RELEASED		556215	JOO	JAA	SV		
17FE22	R	10	-	-	35645532 - RELEASED		556605	AHY	JAA	SV		
04MR22	R	11	-	-	35645532 & 35410574 - UPDATED PART AVAILABILITY (P/N WAS NOT AVAILABLE)		556658	GDM	JAA	SV		
31MY22	R	12	-	-	35635317 - UPDATED PART AVAILABILITY (P/N WAS NOT AVAILABLE)		557590	GLG	GLG	SV		
20JN22	R	13	-	-	35682577 - RELEASED		557750	ESG	JAA	SV		
15AU22	R	14	-	-	35635315 - UPDATED PART AVAILABILITY (P/N WAS NOT AVAILABLE)		558208	ORA	JAA	SV		
17MR23	R	15	-	-	35761482 - RELEASED		559877	JOO	GDM	MFA		

- NOTES
- UNLESS OTHERWISE SPECIFIED AND/OR INDICATED:
DIMENSIONS ARE TO FACE OF VIEW SHOWN AND AUTOMATICALLY ROUNDED BY COMPUTER FOR INSPECTION (SEE MATH MODEL FOR PRECISE DIMENSIONS). FOR ALL OTHER DIMENSIONS NOT SHOWN BUT REQUIRED FOR TOOL BUILD, SEE MATH MODEL FOR PRECISE TOOL PATH DATA.
 - THIS PRODUCT IS NOT CATEGORIZED AS AN APPEARANCE ITEM, MINOR IMPERFECTIONS INCLUDING, BUT NOT LIMITED TO, FLOW MARKS, COLOR BLEMISHES, GATE VESTIGE, AND SOFT FLASH THAT DO NOT AFFECT THE FIT, FORM, OR FUNCTION OF THE PART ARE PERMISSIBLE PER EANP-4-3-CS-01-EN.
 - PART IS MANUFACTURED TO GEOMETRIC TOLERANCES. CENTERLINE DIMENSIONS ARE FOR REFERENCE ONLY.
 - SEALING CODE 4 - DESIGN WILL MEET REQUIREMENTS OF SAE/USCAR-2 CONNECTOR SYSTEM ENVIRONMENTAL TEST FLOWCHART (PRESSURE/VACUUM AND SUBMERSION).
 - FOR APPLICATION DATA SEE THE INDIVIDUAL APPLICATION DRAWINGS.
 - FOR ALL OPEN CAVITY VERSIONS SEE SHEET 1
 - FOR ASSEMBLIES WITH 7MM CLIP SLOT SEE DRAWING 15514658

PART NO	REV	N/P	TYPE	MALE CONN	PLR	RETAINER	SEAL CBL	BLOCKED CAVITIES								TOTAL OF BLOCKED CAVITIES	USCAR OPTION		
								1	2	3	4	5	6	7	8				
35761482	01	-	201	35117266	15514686	35761478	15514682	X	X	X	X	X						6	A
35682577	01	-	201	35117266	15514686	35682576	15514682	X	X	X		X	X					6	A
35645532	01	AA	201	35117266	15514686	35645531	15514682	-	-	-	-	-	X	X			2	A	
35635321	01	-	201	35117266	15514686	35635320	15514682	X	-	-	-	X	-	-	-		2	A	
35635319	01	-	201	35117266	15514686	35635318	15514682	X	-	-	-	X	X	X	X		5	A	
35635317	01	AA	201	35117266	15514686	35635316	15514682	-	-	-	X	-	X	X		3	A		
35635315	01	AA	201	35117266	15514686	35635314	15514682	-	-	-	X	X	X	X		5	A		
35617123	01	-	201	35117266	15514686	35617084	15514682	-	-	X	X	-	-	-	-		2	A	
35617122	01	-	201	35117266	15514686	35617083	15514682	X	X	X	X	-	-	-	-		4	A	
35617121	01	-	202	35117267	15514686	35617082	15514682	X	-	-	-	X	-	-	-		2	B	
35617120	01	-	202	35117267	15514686	35617081	15514682	X	-	-	-	-	-	-	-		1	B	
35603804	01	AA	201	35117266	15514686	35603789	15514682	-	-	-	-	X	X	X		3	A		
35464979	01	AA	201	35117266	15514686	35464975	15514682	-	X	X	X	X	-	-	X		4	A	
35464978	01	AA	201	35117266	15514686	35464974	15514682	X	-	-	-	-	-	-	-		1	A	
35410574	01	AA	201	35117266	15514686	35410607	15514682	-	-	-	-	X	X	-	X		3	A	
35410571	01	AA	201	35117266	15514686	35410604	15514682	X	-	X	X	-	-	X	X		5	A	
35410570	01	AA	201	35117266	15514686	35410603	15514682	X	-	-	X	-	-	-	-		2	A	
35410569	01	-	201	35117266	15514686	35410602	15514682	X	X	-	-	X	X	-	X		5	A	
35410568	01	-	201	35117266	15514686	35410601	15514682	X	X	X	X	-	-	X	-		5	A	
35410567	01	-	201	35117266	15514686	35410600	15514682	X	X	-	-	-	-	-	-		2	A	
35410563	01	AA	201	35117266	15514686	15514674	15514682	X	X	X	X	X	X	X	X		8	A	
35410551	01	AA	201	35117266	15514686	35410576	15514682	X	X	X	X	X	-	-	-		6	A	

DIMENSIONAL RANGE (MM)		TOLERANCE	
FROM	TO	±	°
0	20	±0.25	±0.2
20	30	±0.30	±0.3
30	70	±0.40	±0.4
70	100	±0.50	±0.5
100	150	±0.63	±0.6
150	200	±0.80	±0.8
200	250	±1.00	±1.0
250	300	±1.25	±1.2
300	400	±1.50	±1.5

THIS DOCUMENT IS THE PROPERTY OF APTIV AND CONTAINS APTIV CONFIDENTIAL INFORMATION. THE REPRODUCTION, DISTRIBUTION AND UTILIZATION OF THIS DOCUMENT OR ITS RELATED CAD DATA, AS WELL AS COMMUNICATION OF ANY CONTENT TO OTHERS, WITHOUT EXPRESS AUTHORIZATION, IS PROHIBITED.

DATE: 12DE19
DR: JOSE LUIS LOPEZ
APVD: J.S. ALVARADO
APVD3: JULIO ARMENDARIZ
APVD4:

UNLESS OTHERWISE SPECIFIED THIS DOCUMENT IS IN ACCORDANCE WITH ASME Y14.5-2019. SEE APTIV ENGINEERING DESIGN STANDARD 06-2017 FOR ISO 1101:2004 REVISIONATION REQUIREMENTS.

ALL DIMENSIONS ARE IN MILLIMETERS

THIRD ANGLE PROJECTION
DO NOT SCALE
USE MATH DATA

• APTIV •
CONNECTION SYSTEMS
WARREN, OH
COPYRIGHT 2019 APTIV. ALL RIGHTS RESERVED.
THIS DRAWING IS THE PROPERTY OF APTIV AND CONTAINS APTIV CONFIDENTIAL INFORMATION. THE REPRODUCTION, DISTRIBUTION AND UTILIZATION OF THIS DOCUMENT OR ITS RELATED CAD DATA, AS WELL AS COMMUNICATION OF ANY CONTENT TO OTHERS, WITHOUT EXPRESS AUTHORIZATION, IS PROHIBITED.

DRAWING NUMBER: 35117278
DRAWING NAME: TAXI CONN B M OCS 1.5 SLD
SIZE: A0
SCALE: 4:1
FRAME NO: 1 OF 1
SHEET NO: 2 OF 2
STG: R
REV: 15

Sheet: 35117278-02 Rev: 15 Date: 20-Mar-23 Time: 15:05:01

Mouser Electronics

Authorized Distributor

Click to View Pricing, Inventory, Delivery & Lifecycle Information:

[Aptiv:](#)

[35603804](#)