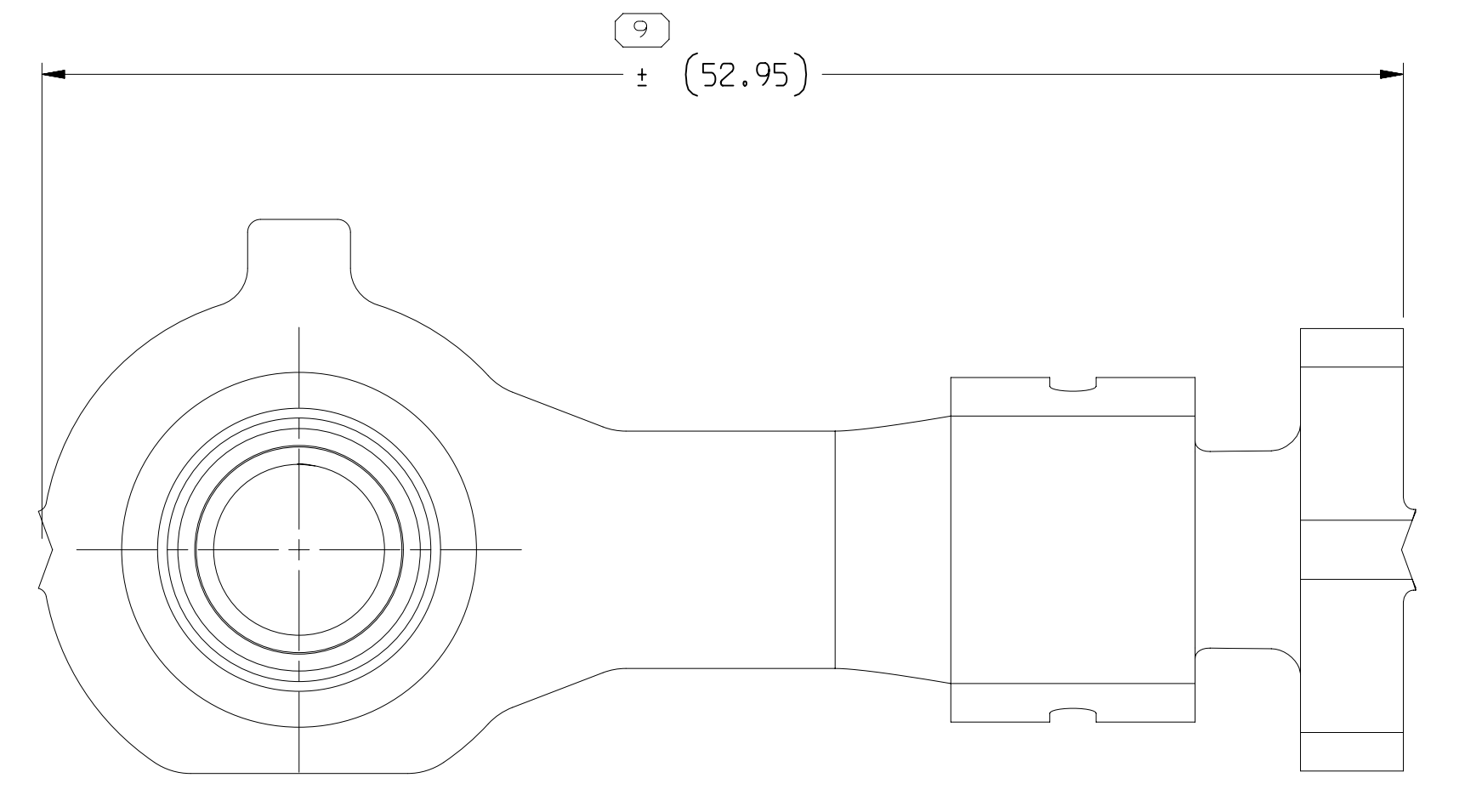
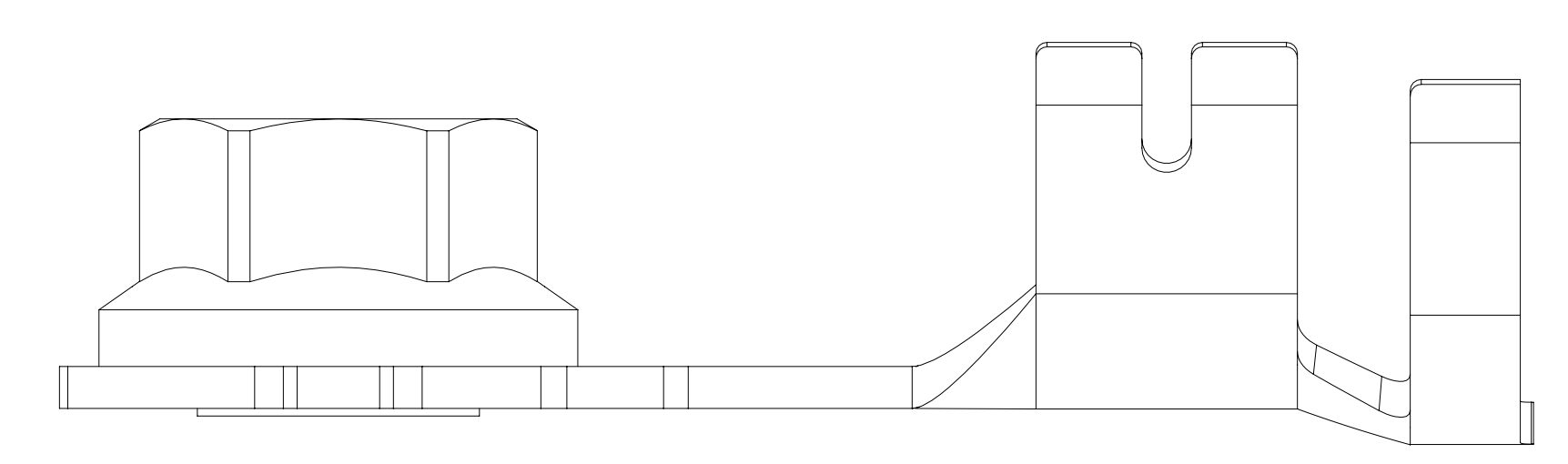
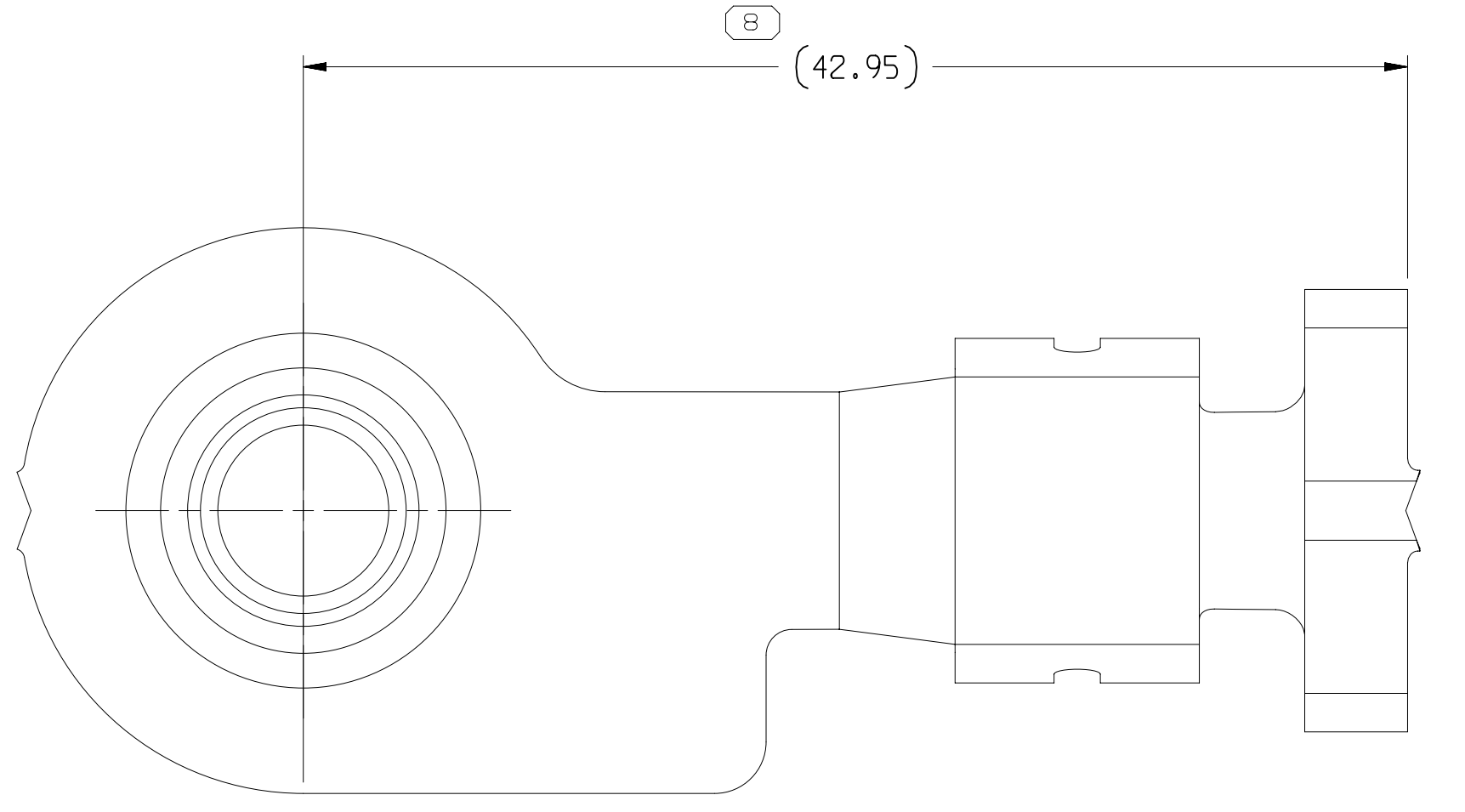


SYMBOL DEFINITION		TOTAL NO OF INSPECTIONS REQUIRED	MISSING SYMBOLS
A DIMENSION WITHOUT AN INSPECTION REPORT SYMBOL () DOES NOT REQUIRE INSPECTION. IT MAY BE CONTROLLED ON THE INDIVIDUAL COMPONENT DRAWING.		9	NO MISSING SYMBOL NUMBER
		9	

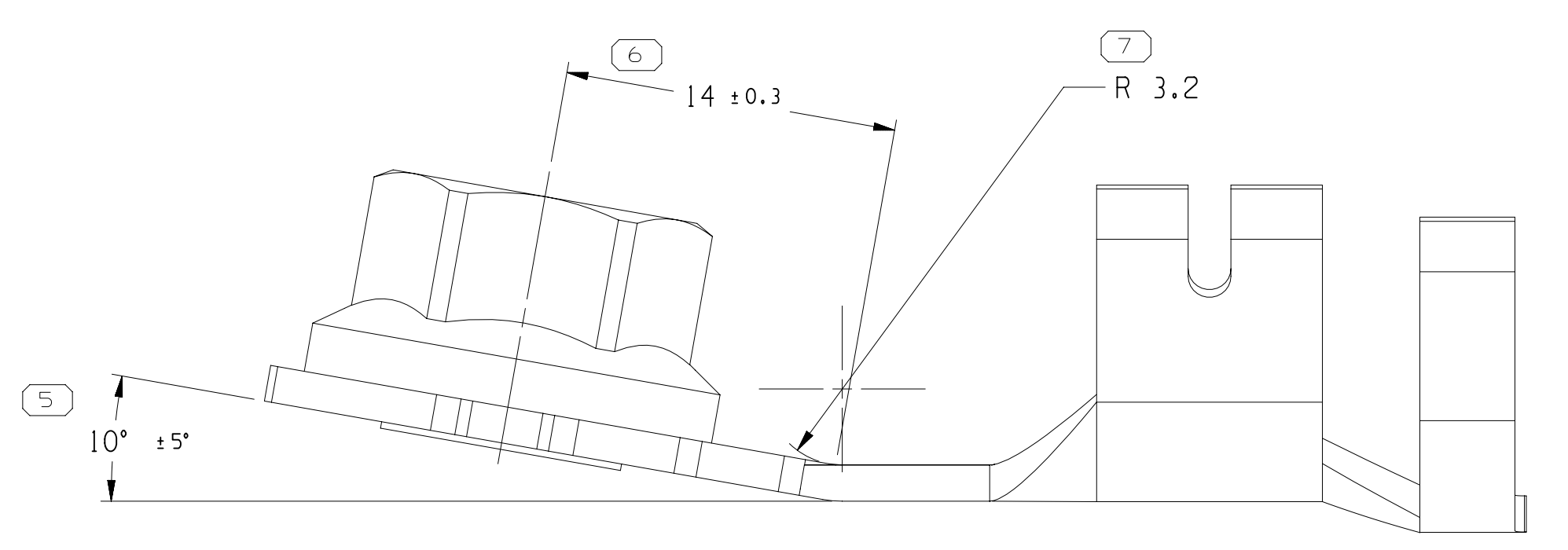
DWG STATUS				REVISION HISTORY				AUTH		DR		APVD	
DATE	STG	REV	N/P	CHG	ZONE								
07NO13	R	01	-	-		ALL PARTS - RELEASED PART DRAWING				424425	JLP	JAA	LRS
20AU14	R	02	-	-		33109723-25 - NUT WAS "PEM YSNF-40299-21" , ADDED DIMS (2 PLCS) (157,45) WAS (153,77) AND ADDED NEW TOLERANCE CHART & STOCK THICKNESS INFO ON NOTE & 33183551 - RELEASED				427027	ABH	JVM	ERG
30SE14	R	03	-	-		33109723-25 - ADDED "REPLACED BY" COLUMN 4 33109725 - NUT WAS 33182028; 33183551 - TERMINAL WAS 33109725 AND 33194394-96 - RELEASED				427665	NFM	JVM	ERG
16DE14	R	04	-	-		33183551, 33194394-96 - REVISED GRAPHICS; 33109723-25 - INACTIVE				428415	ORA	JVM	ERG
22DE14	R	05	-	-		ALL ACTIVE PARTS - PSD WAS DIM 4, DIM 10.52±0.4 WAS (9), DIM (11,1) WAS 10.8 & ADDED PULL OUT AND TORQUE NOTES; 33194394-96 - UPDATED PART AVAILABILITY				428526	ERG	VMA	ERG
26OC15	R	06	-	-		ADDED "SHT 1 OF 2"				431044	JTV	JTV	ERG
02DE15	R	07	-	-		ADDED "SHT 1 OF 4"				431272	JTV	JTV	ERG
09SE16	R	08	-	-		"SHT 1 OF 5" WAS "SHT 1 OF 4"				434041	ABH	JVM	ERG
14FE22	R	09	-	-		"SHT 1 OF 6" WAS "SHT 1 OF 5"				556094	GLG	JAA	AG



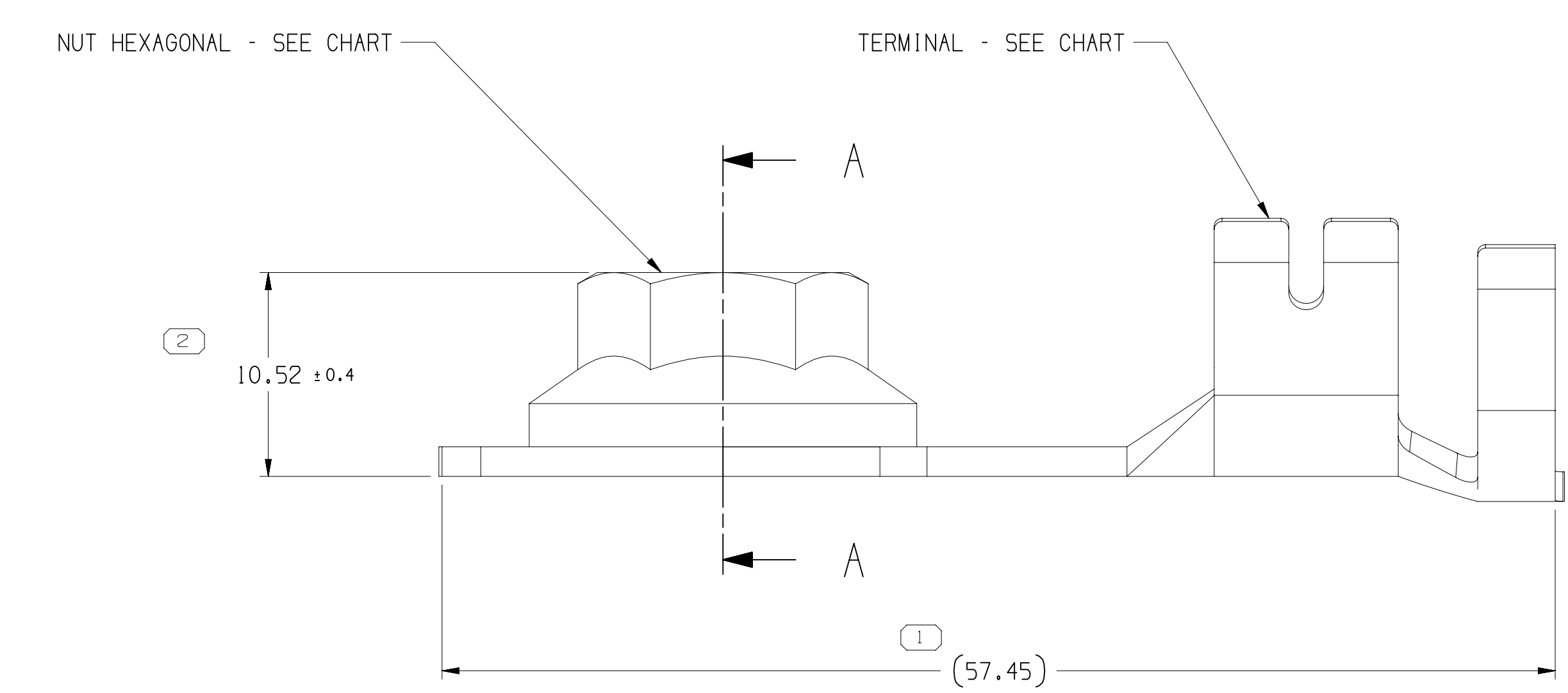
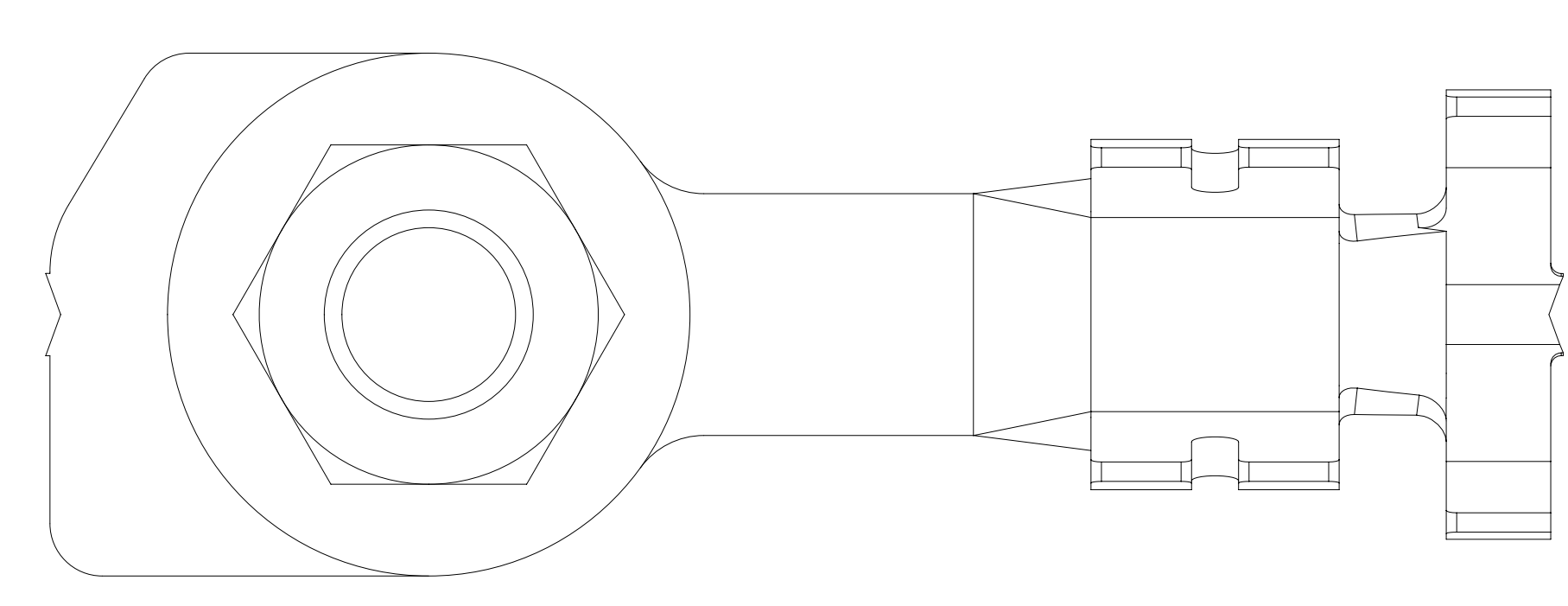
TYPE 103
SAME AS TYPE 101
EXCEPT AS SHOWN



TYPE 102
SAME AS TYPE 101
EXCEPT AS SHOWN

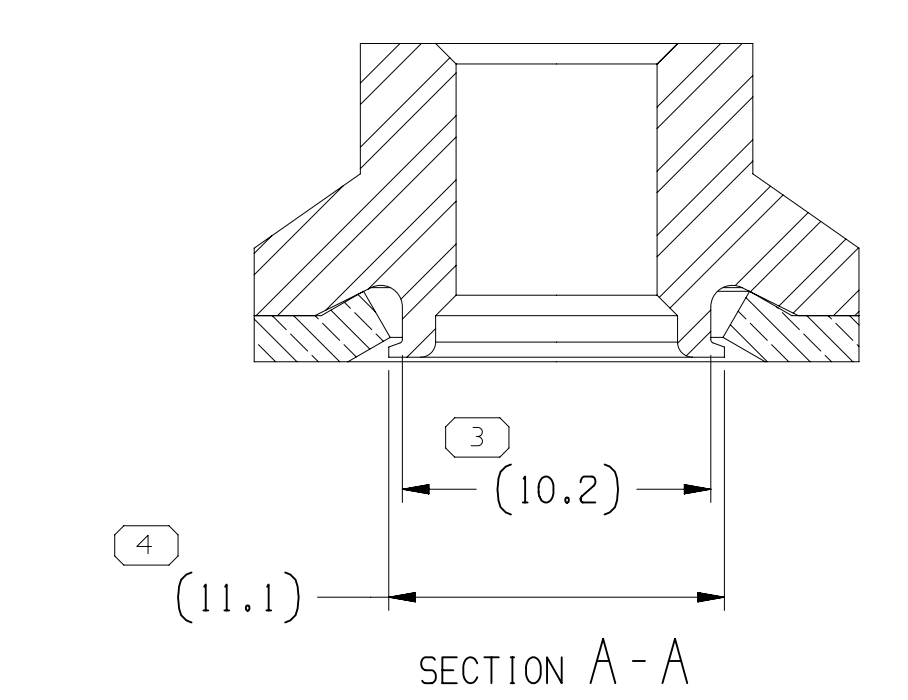


BEND ANGLE VIEW (SEE CHART)

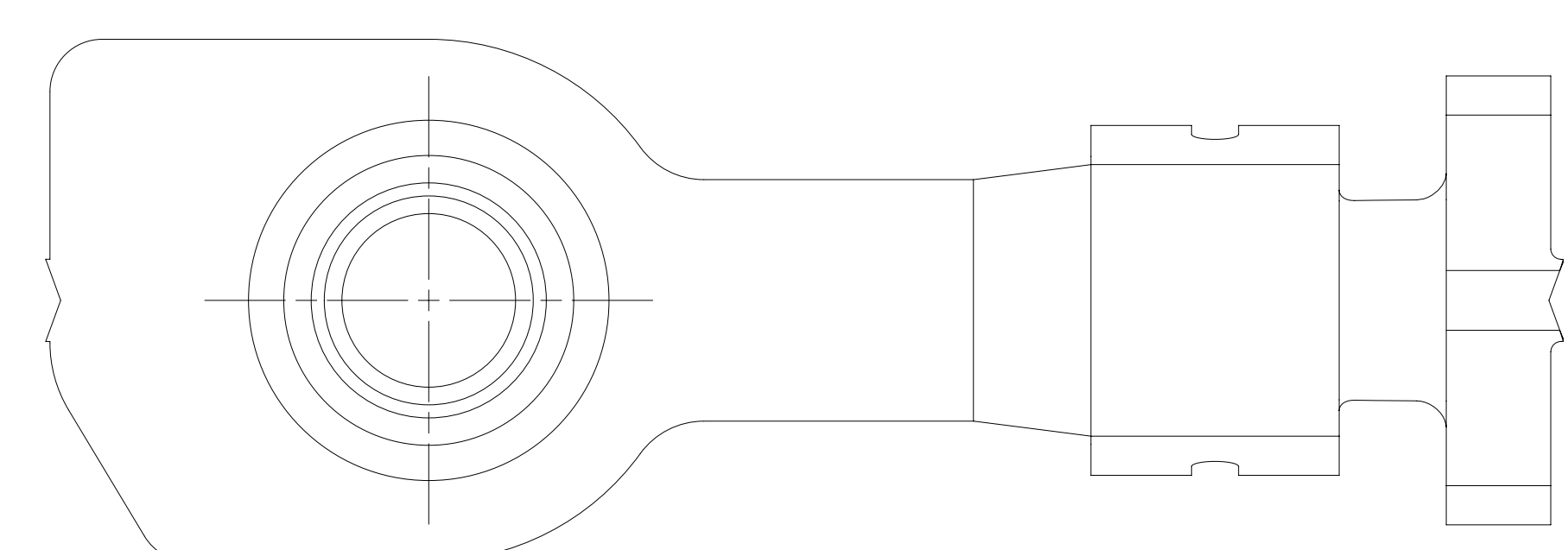


NUT HEXAGONAL - SEE CHART

TERMINAL - SEE CHART



SECTION A-A



TYPE 101

NOTES

- UNLESS OTHERWISE SPECIFIED AND/OR INDICATED:
DIMENSIONS ARE TO FACE OF VIEW SHOWN AND AUTOMATICALLY ROUNDED BY COMPUTER FOR INSPECTION (SEE MATH MODEL FOR PRECISE DIMENSIONS). FOR ALL OTHER DIMENSIONS NOT SHOWN BUT REQUIRED FOR TOOL BUILD, SEE MATH MODEL FOR PRECISE TOOL PATH DATA.
- FOR TERMINALS WITH STOCK THICKNESS OF 1.3MM OR GREATER AND TOOLING PRODUCED AFTER 01AU14 REFER TO ADDITIONAL TOLERANCE CHART.
- HEX NUT MUST WITHSTAND A MINIMUM PUSH OUT FORCE OF 110N.
- HEX NUT MUST FREELY ROTATE WHEN A MIN TORQUE VALUE OF 2NM IS APPLIED.

PART NO	REV	N/P	TYPE	TERMINAL	NUT	REPLACED BY	10° ±5° PART NO	REV	N/P
33194396	02	-	103	33109721	33194397	-	33183551	01	AB
33194395	02	-	102	33109720	33182028	-	-	-	-
33194394	02	-	101	33109719	33182028	-	-	-	-
33109725	02	AB	103	33109721	33194397	33194396	-	-	-
33109724	02	AB	102	33109720	33182028	33194395	-	-	-
33109723	02	AB	101	33109719	33182028	33194394	-	-	-

TOLERANCE CHART FOR TERMINALS WITH A STOCK THICKNESS OF 1.3MM OR GREATER AND TOOLING PRODUCED AFTER 01AU14		DIMS		ANGULAR	
FROM	TO	0	>12	0	>10
TOLERANCE UNLESS OTHERWISE SPECIFIED		±0.15	±0.3	±2°	
STAMPING DIE DIMS					
FROM	TO	0	2	0	>10
TOLERANCE UNLESS OTHERWISE SPECIFIED		±0.15	±0.3	±0.4	±4°
POST PROCESSED DIMS					
FROM	TO	0	2	0	>10
TOLERANCE UNLESS OTHERWISE SPECIFIED		±0.15	±0.3	±0.4	±4°
DIMENSIONAL RANGE (MM)					
FROM	TO	0	12	0	>12
TOLERANCE UNLESS OTHERWISE SPECIFIED		±0.15	±0.3	±0.4	±2°

APTIV
CONNECTION SYSTEMS
WARREN, OH
COPYRIGHT 2013 APTIV. ALL RIGHTS RESERVED.

THIS DRAWING IS THE PROPERTY OF APTIV AND CONTAINS APTIV CONFIDENTIAL INFORMATION. THE REPRODUCTION, DISTRIBUTION AND UTILIZATION OF THIS DOCUMENT OR ITS RELATED CAD DATA, AS WELL AS COMMUNICATION OF ANY CONTENT TO OTHERS, WITHOUT EXPRESS AUTHORIZATION, IS PROHIBITED.

APVD: JOSE L. PUENTE 07NO13
APVD: J. S. ALVARADO 07NO13
APVD: LUIS SALINAS 07NO13

APVD: SEE CHART

DRAWING NUMBER: TAXI ASM TERM RING HEX NUT SN
33128259

SIZE: A0 SCALE: 4:1 FRAME NO: 1 OF 1 SHEET NO: 1 OF 6 STG REV: 09

Mouser Electronics

Authorized Distributor

Click to View Pricing, Inventory, Delivery & Lifecycle Information:

[Aptiv:](#)

[33194395](#)