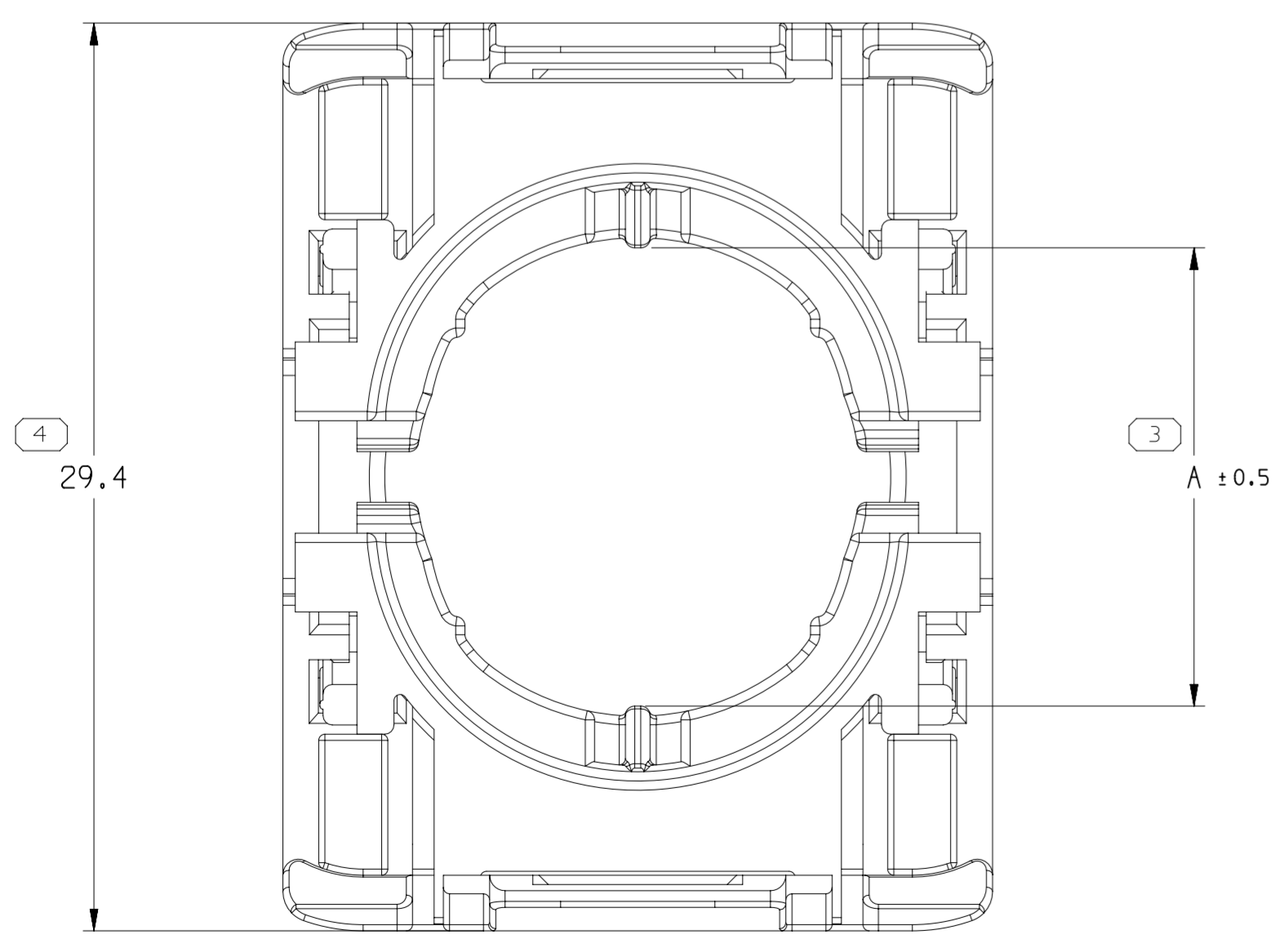
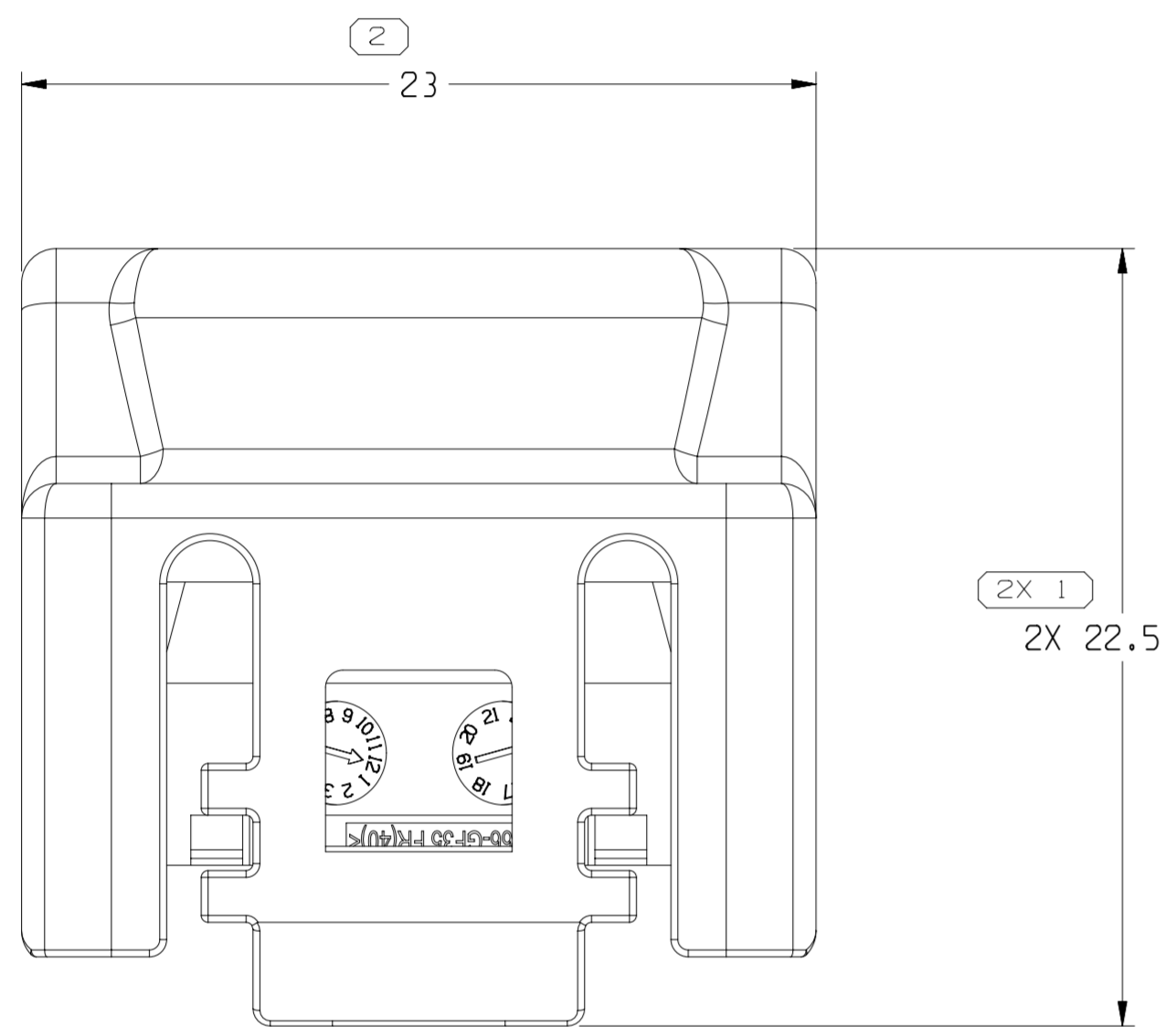
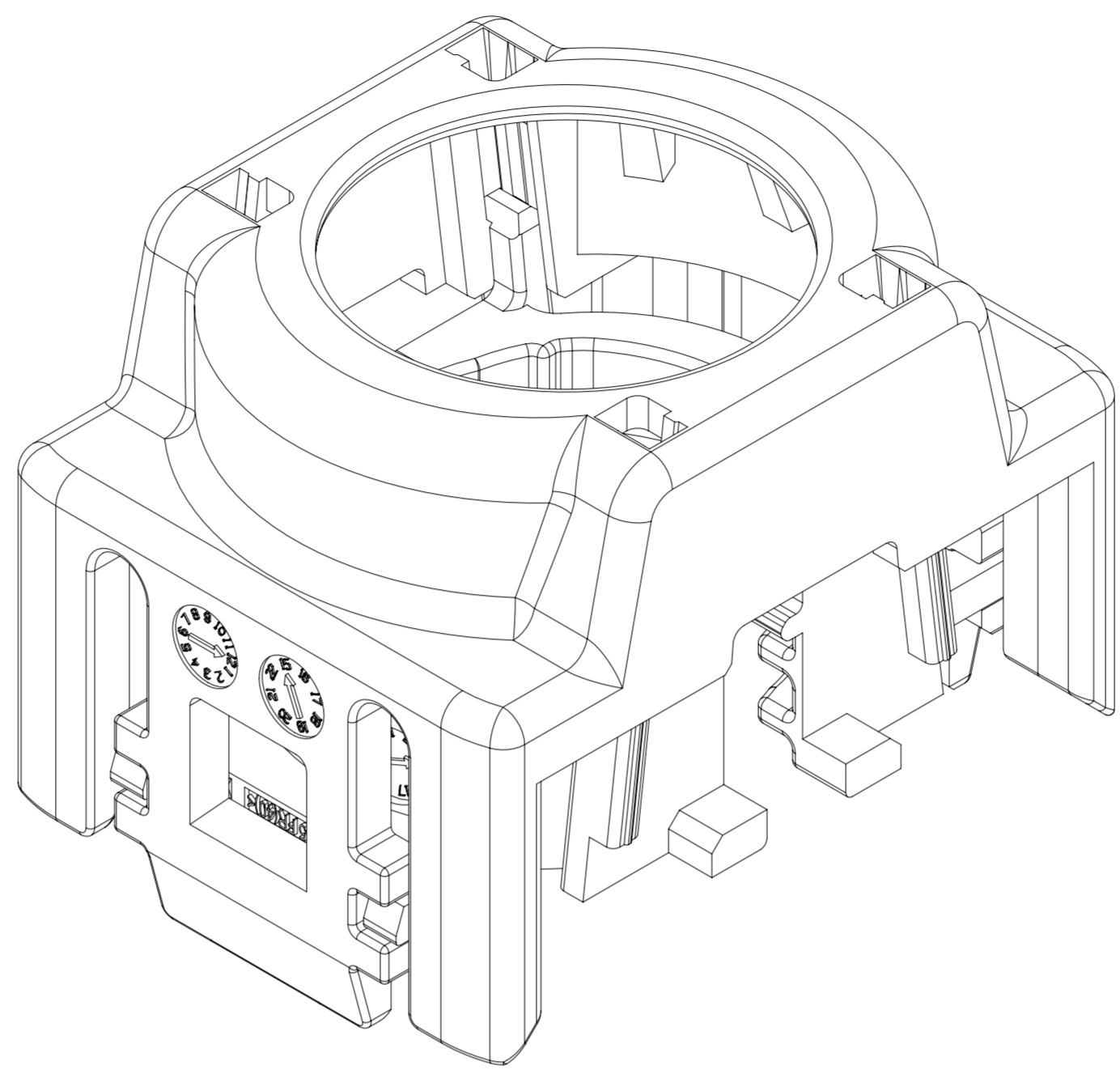


POS	PART NUMBER	REV.	DESCRIPTION	QTY	UOM	DIM A
	35149115	01	ASM STRAIN RELIEF FOR 25 MM ²	-	-	12.78
	35142210	-	STRAIN RELIEF, POLYAMIDE, BLK	1	PCS	-
	35149117	-	SQUEEZER, VIOLET	2	PCS	-
	35142208	01	ASM STRAIN RELIEF FOR 35 MM ²	-	-	14.87
	35142210	-	STRAIN RELIEF, POLYAMIDE, BLK	1	PCS	-
	35142213	-	SQUEEZER, BLUE	2	PCS	-
	35149113	01	ASM STRAIN RELIEF FOR 50 MM ²	-	-	16.27
	35142210	-	STRAIN RELIEF, POLYAMIDE, BLK	1	PCS	-
	35149116	-	SQUEEZER, WHITE	2	PCS	-
	35549920	01	ASM STRAIN RELIEF FOR 25 MM ² , CHANGAN VERSION	-	-	12.78
	35142210	-	STRAIN RELIEF, POLYAMIDE, BLK	1	PCS	-
	35149117	-	SQUEEZER, VIOLET	2	PCS	-
	35549921	01	ASM STRAIN RELIEF FOR 35 MM ² , CHANGAN VERSION	-	-	14.87
	35142210	-	STRAIN RELIEF, POLYAMIDE, BLK	1	PCS	-
	35142213	-	SQUEEZER, BLUE	2	PCS	-
	35549922	01	ASM STRAIN RELIEF FOR 50 MM ² , CHANGAN VERSION	-	-	16.27
	35142210	-	STRAIN RELIEF, POLYAMIDE, BLK	1	PCS	-
	35149116	-	SQUEEZER, WHITE	2	PCS	-

SYMBOL DEFINITION		MISSING SYMBOLS	
A DIMENSION WITHOUT AN INSPECTION REPORT SYMBOL () DOES NOT REQUIRE INSPECTION. IT MAY BE CONTROLLED ON THE INDIVIDUAL COMPONENT DRAWING.		NO MISSING SYMBOL NUMBER	5
		LAST NO. USED	4

DWG STATUS		REVISION HISTORY		AUTH		DR		APVD		
DATE	STG	REV	N/P	CHG	ZONE					
180C17	R	01	-	-		CREATE PART DRAWING	438107	HWH	AM	WGJ
05MY21	R	01	AA	-		ADDED CHANGAN PN 35549920, 35549921, 35549922	447276	YLX	AM	YLX



- NOTES
- UNLESS OTHERWISE SPECIFIED AND/OR INDICATED:
DIMENSIONS ARE TO FACE OF VIEW SHOWN AND AUTOMATICALLY ROUNDED BY COMPUTER FOR INSPECTION (SEE MATH MODEL FOR PRECISE DIMENSIONS). FOR ALL OTHER DIMENSIONS NOT SHOWN BUT REQUIRED FOR TOOL BUILD, SEE MATH MODEL FOR PRECISE TOOL PATH DATA.
 - THIS PRODUCT IS NOT CATEGORIZED AS AN APPEARANCE ITEM, MINOR IMPERFECTIONS INCLUDING, BUT NOT LIMITED TO, FLOW MARKS, COLOR BLEMISHES, GATE VESTIGE, AND SOFT FLASH THAT DO NOT AFFECT THE FIT, FORM, OR FUNCTION OF THE PART ARE PERMISSIBLE PER DPNP-4.7-CS-01.
 - THIS PART ACCEPTS THE FOLLOWING COMPONENTS OR EQUIVALENT: TYPICAL DPN 35128941.

A LINE DRAWN THROUGH A PART NUMBER INDICATES THAT PHYSICAL PARTS ARE NOT AVAILABLE FOR ORDERING.	
PART NUMBERS THAT DO NOT HAVE A LINE PRESENT INDICATE THAT PHYSICAL PARTS ARE AVAILABLE FOR ORDERING.	
CONTACT APTIV SALES TO ASSURE AVAILABILITY OF PARTS.	
DWG TYPE: PART DRAWING	
STYLE: SEE CHART	
VOLUME (CM ³):	DISTR CODE: D
UNLESS OTHERWISE SPECIFIED THIS DOCUMENT IS IN ACCORDANCE WITH ASME Y14.5M-1994 AS AMENDED BY THE GM GLOBAL DIMENSIONING AND TOLERANCING ADDENDUM-2001. SEPARATE PATTERNS OF FEATURES MAY BE GAGED SEPARATELY REGARDLESS OF DATUM REFERENCES.	
ALL DIMENSIONS ARE IN MILLIMETERS	
THIRD ANGLE PROJECTION	
DO NOT SCALE	
USE MATH DATA	

• APTIV •	
CONNECTION SYSTEMS Anting, China COPYRIGHT 2017 APTIV. ALL RIGHTS RESERVED.	
THIS DRAWING IS THE PROPERTY OF APTIV AND CONTAINS APTIV CONFIDENTIAL INFORMATION. THE REPRODUCTION, DISTRIBUTION AND UTILIZATION OF THIS DOCUMENT OR ITS RELATED CAD MATH DATA, AS WELL AS COMMUNICATION OF ANY CONTENT TO OTHERS, WITHOUT EXPRESS AUTHORIZATION, IS PROHIBITED.	
DR	DATE
APVD1: HUIWEI HUANG	180C17
APVD2: WEIGUO JIANG	180C17
APVD3: WEIGUO JIANG	180C17
APVD4:	
APVD5:	
SUBSTANCES OF CONCERN AND RECYCLED CONTENT PER APTIV 10949001	
MATERIAL: SEE CHART	
DRAWING NAME: TAXI ASM LOCK COV	
DRAWING NUMBER: 33355945	
SIZE: A1	SCALE: 5:1
FRAME NO: 1 OF 1	SHEET NO: 1 OF 1
STG: R	REV: 01
N/P: AA	

DIMENSIONAL RANGE (MM)		CHART	
FROM	TO	M	M
> 0	> 6	> 30	> 120
> 6	> 30	> 70	> 160
> 30	> 70	> 120	> 200
> 70	> 120	> 160	> 250
> 120	> 160	> 200	> 250
> 160	> 200	> 250	> 315
> 200	> 250	> 315	> 400

TOLERANCE UNLESS OTHERWISE SPECIFIED

±0.1	±0.2	±0.3	±0.4	±0.45	±0.55	±0.7	±0.85	±1.05
------	------	------	------	-------	-------	------	-------	-------

ANGULAR TOLERANCE ±1°

Mouser Electronics

Authorized Distributor

Click to View Pricing, Inventory, Delivery & Lifecycle Information:

[Aptiv:](#)

[35149113](#)