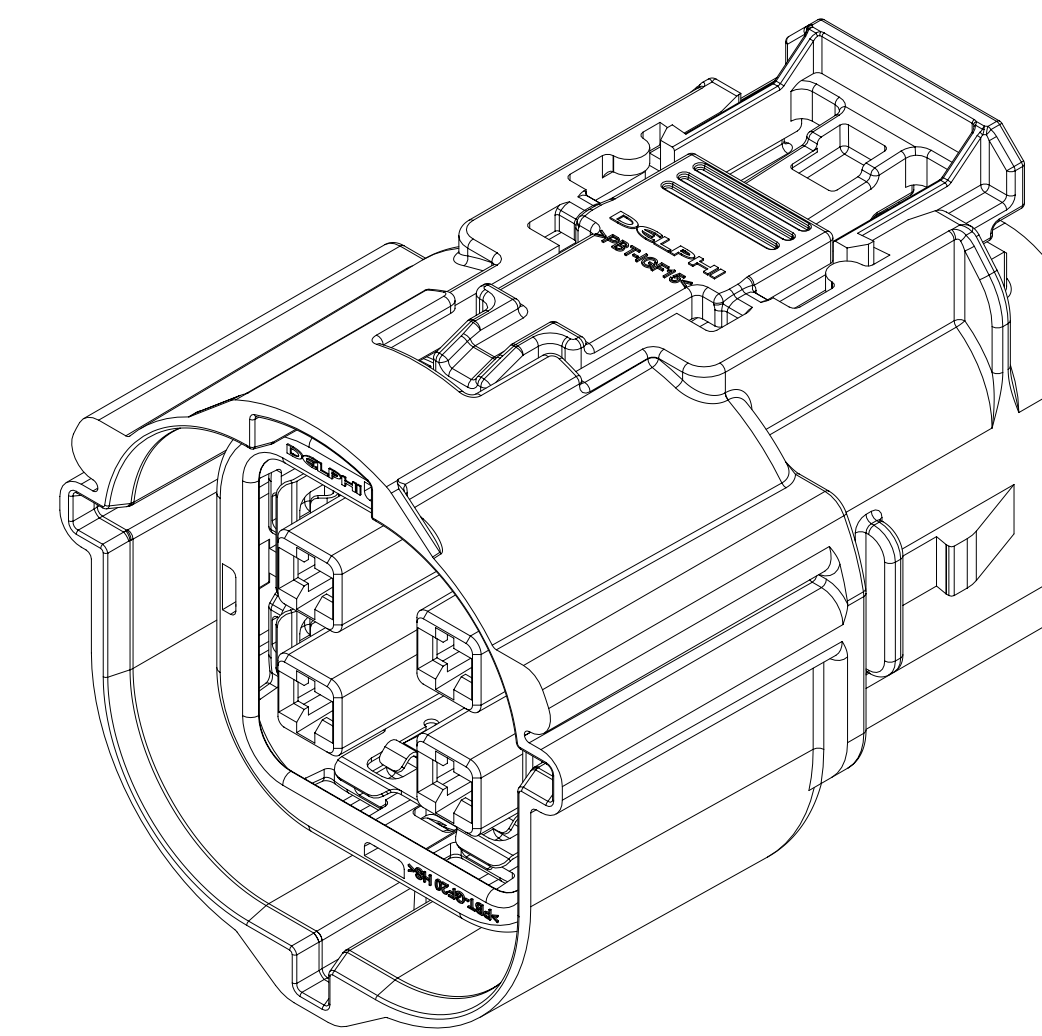
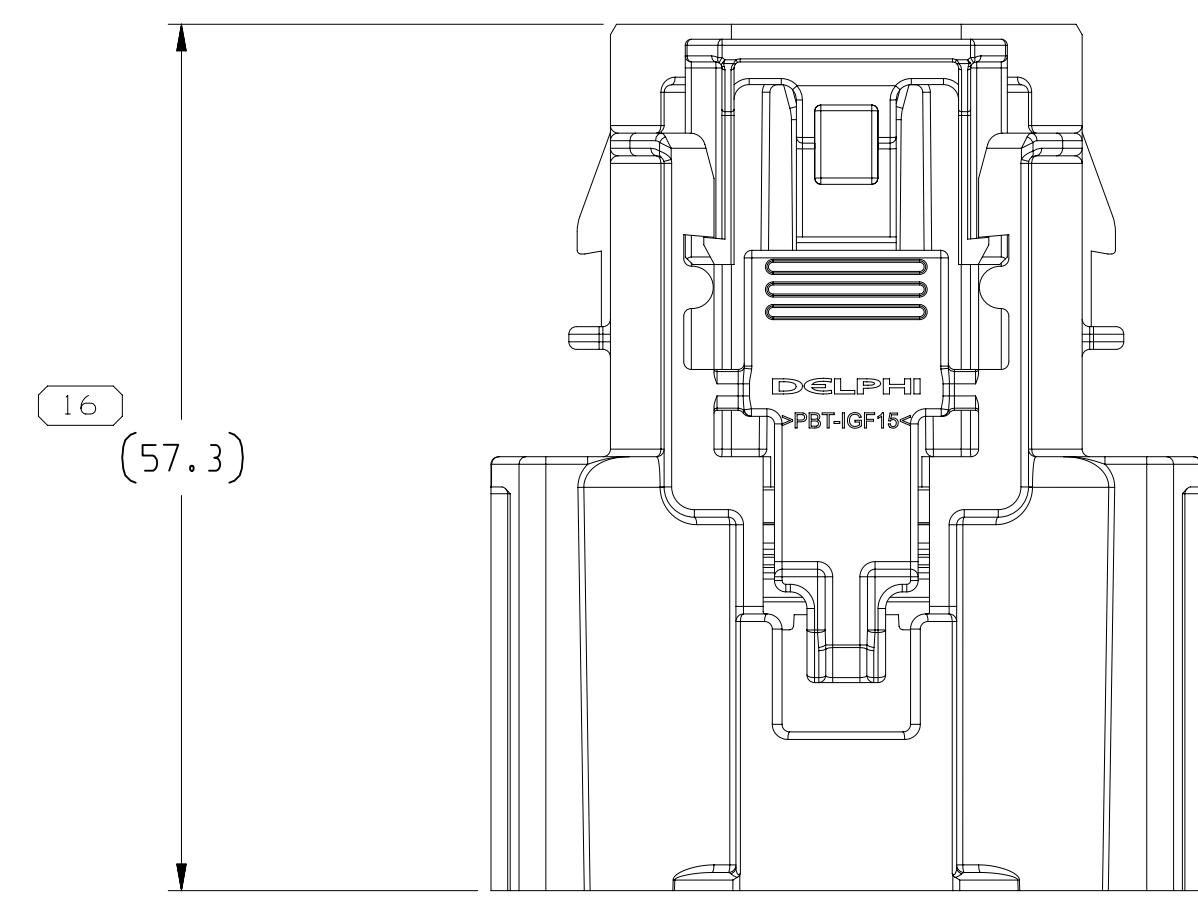
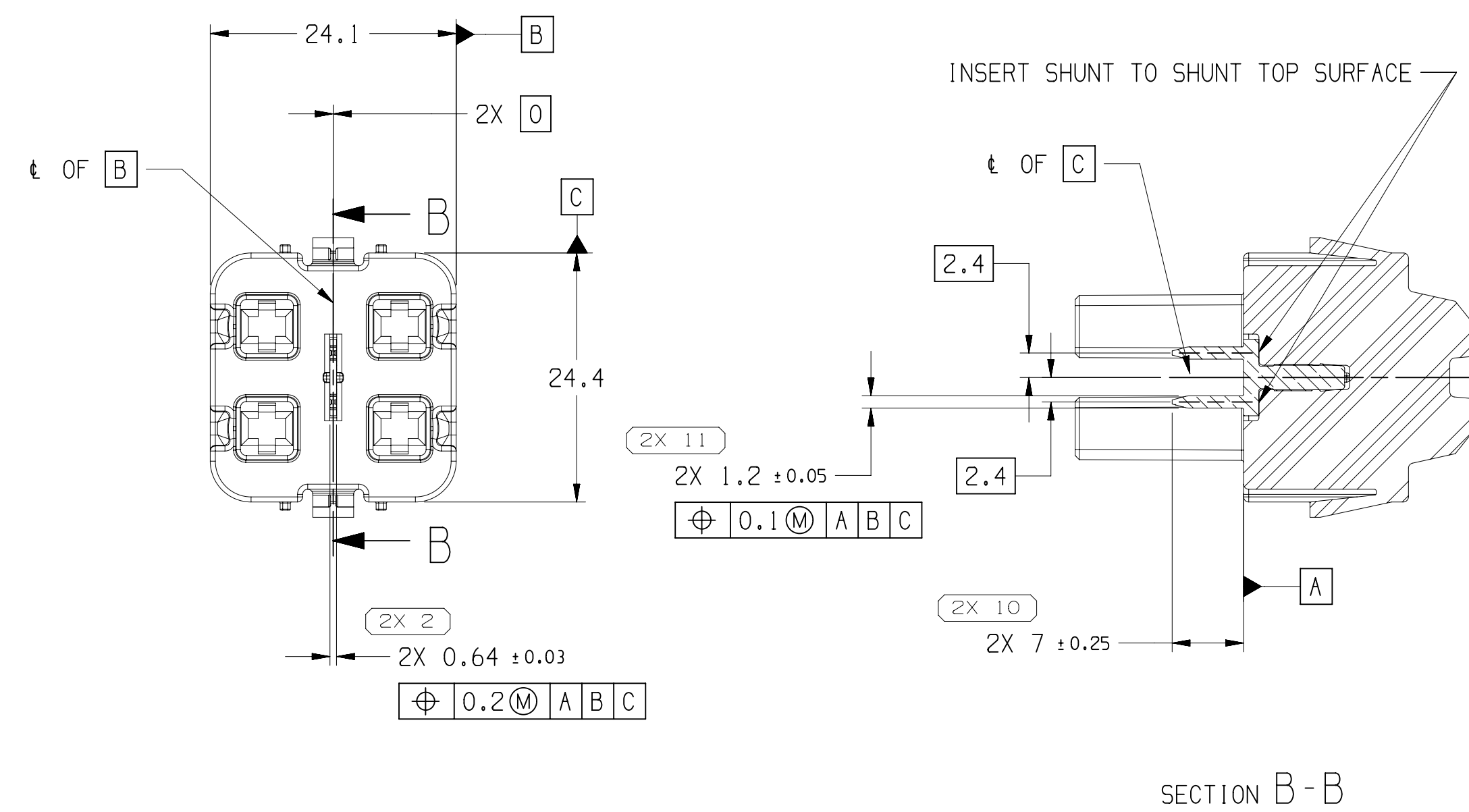


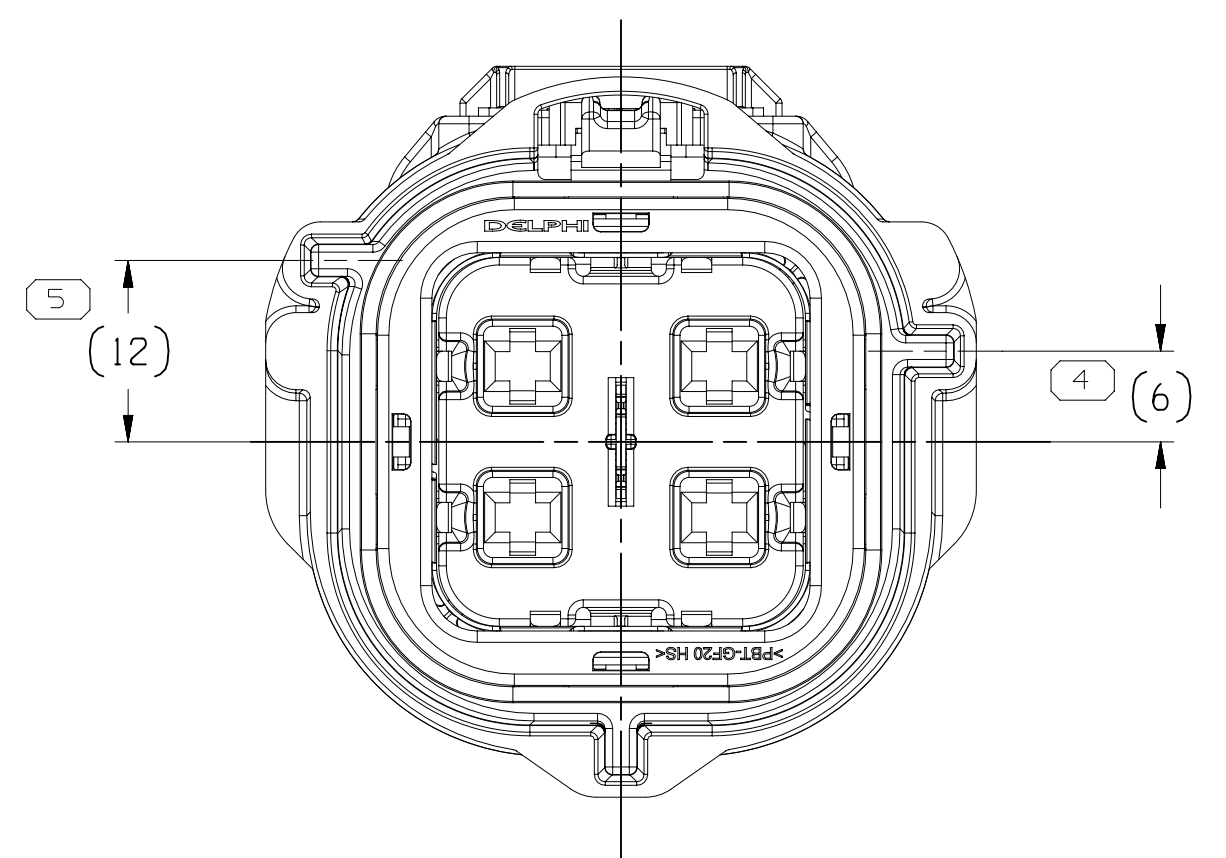
ADDITIONAL ASSEMBLY INFORMATION

INNER CONNECTOR AND SHUNT SHALL BE ASSEMBLED AS INDICATED BEFORE INSERTION INTO OUTER HOUSING ASSEMBLY.

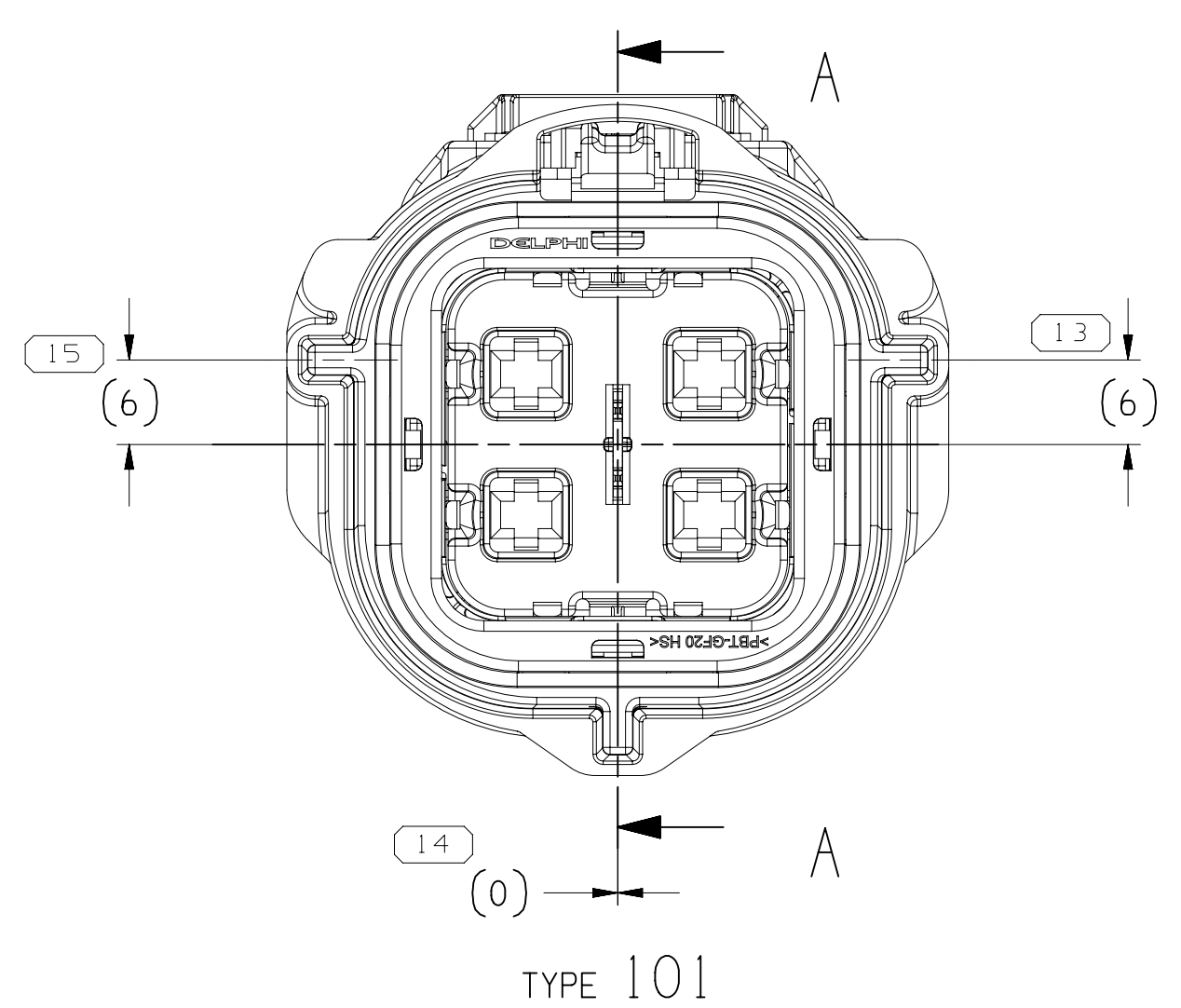
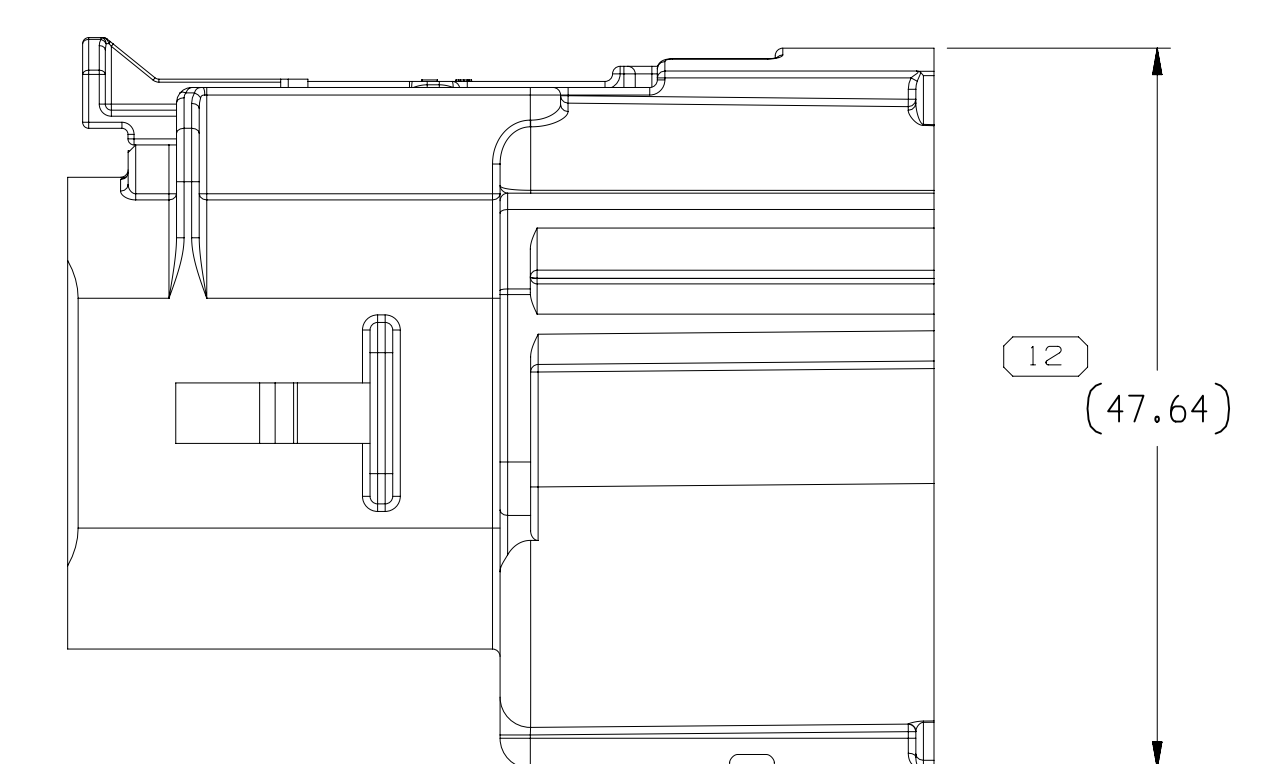


SYMBOL DEFINITION		TOTAL NO OF INSPECTIONS REQUIRED	MISSING SYMBOLS NO MISSING SYMBOL NUMBER
A	DIMENSION WITHOUT AN INSPECTION REPORT SYMBOL DOES NOT REQUIRE INSPECTION. IT MAY BE CONTROLLED ON THE INDIVIDUAL COMPONENT DRAWING.	28	
		LAST NO. USED	22

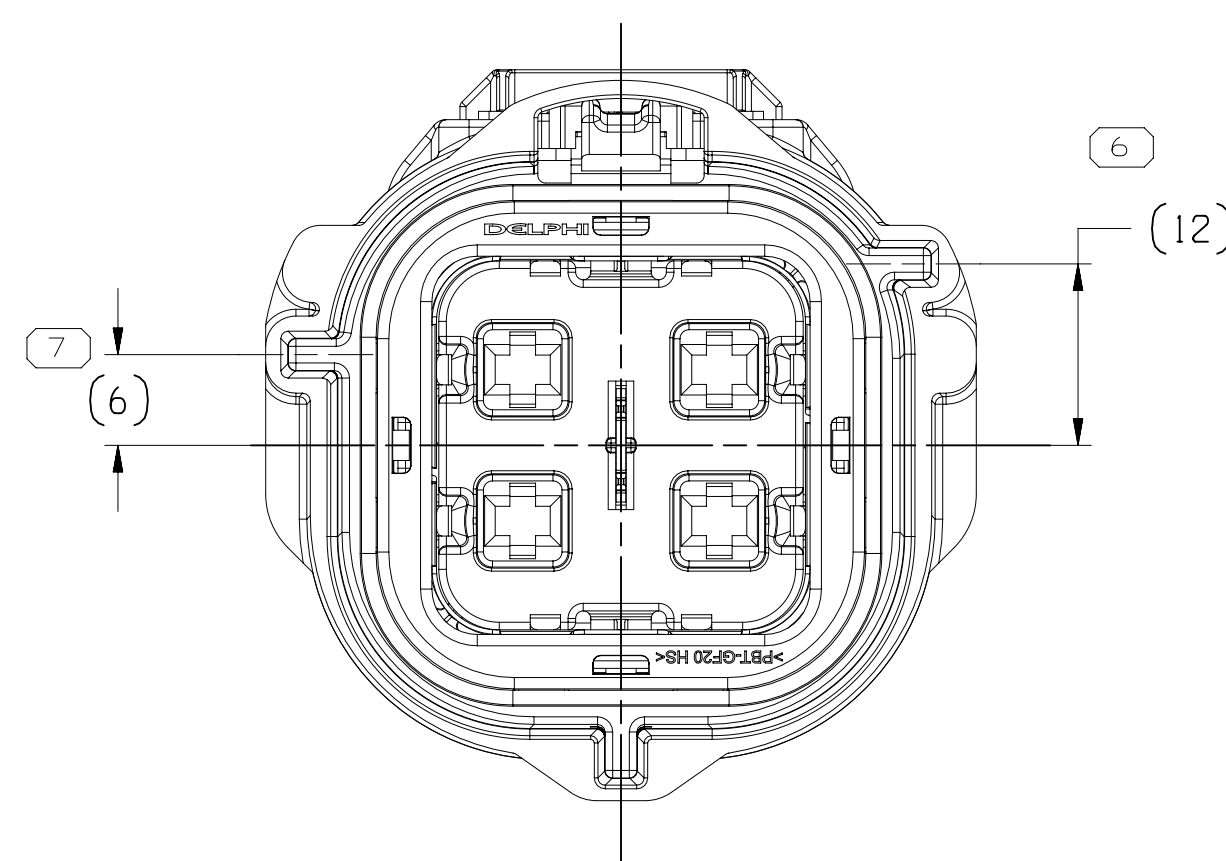
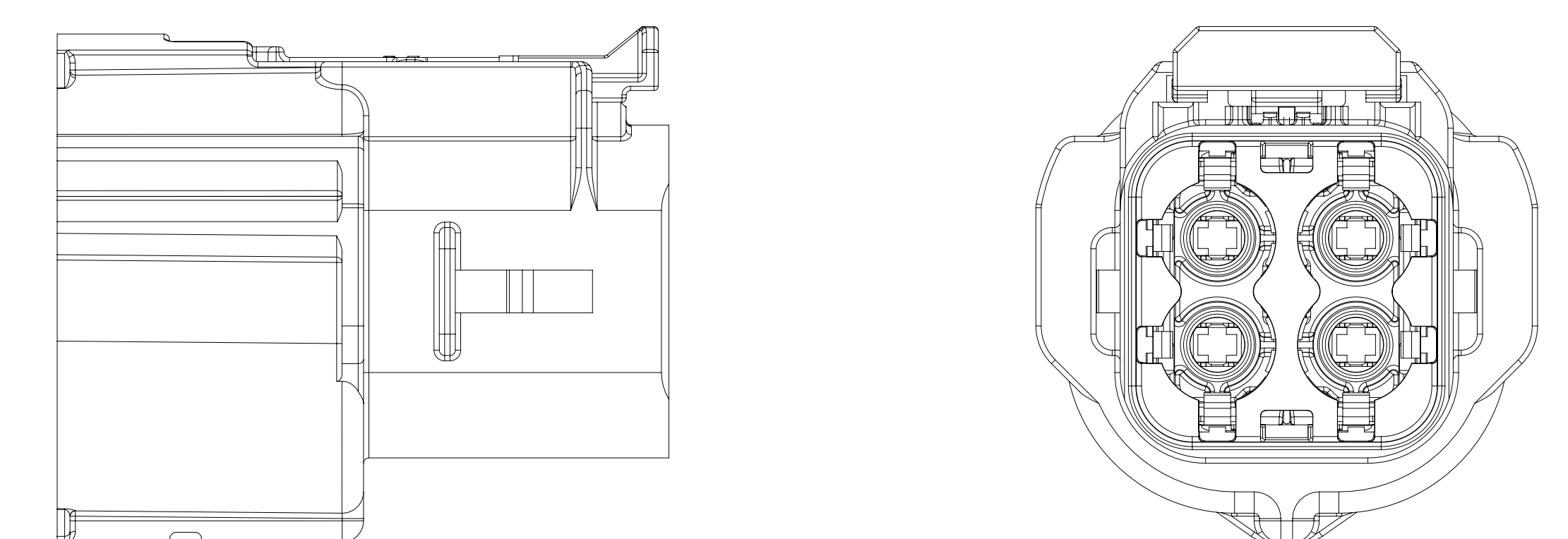
DATE	STG	REV	N/P	CHG	ZONE	REVISION HISTORY	AUTH	DR	APVD	APVD
12FE18	R	01	-	-		ALL PARTS - RELEASED PART DRAWING	436187	AGC	AGC	TM
31AU18	R	02	-	-		ALL PARTS - 4X 6±0.7 WAS 6±0.7, DIM#2 GD&T POS CONTROL WAS $\phi 0.1 \text{ @ } A B C$. ADDED NOTES #4-10; REMOVED "MATING" NOTE; REVISED "MINIMUM CREEPAGE DISTANCE" NOTE; 33314147-48 - UPDATED PART AVAILABILITY	440891	GDH	JAA	TM
07N018	R	03	-	-		ALL PARTS - REVISED DIM #19, "PARTS PERFORMANCE", "CABLE ASSEMBLY VALIDATION" & "CAUTION" NOTES	441528	AGC	AGC	TM
28N018	R	04	-	-		ALL PARTS - REVISED HEADER IN CHART WAS "CHAMPLAIN ISO CABLE" - SEE NOTE 7.	441703	AHG	AHG	TM



TYPE 102
SAME AS TYPE 101
EXCEPT AS SHOWN



TYPE 101

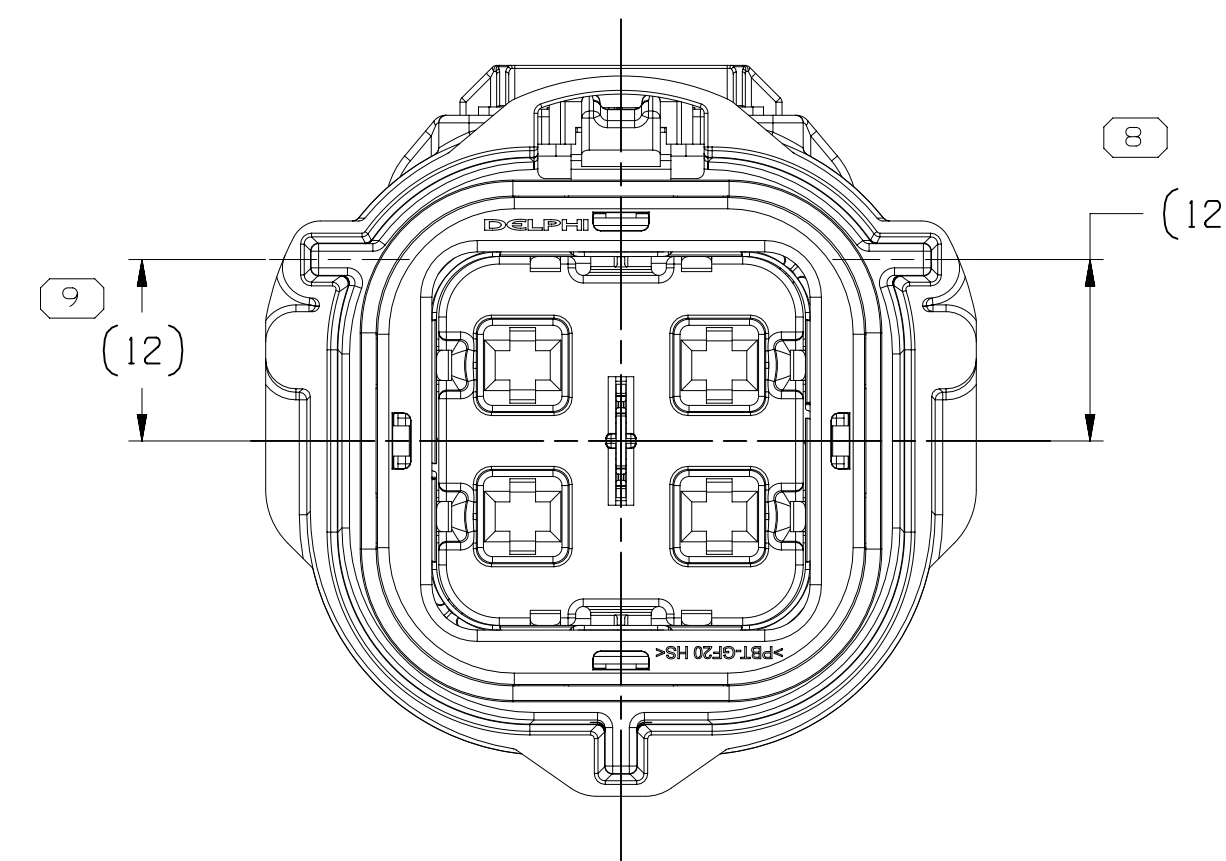


TYPE 103
SAME AS TYPE 101
EXCEPT AS SHOWN

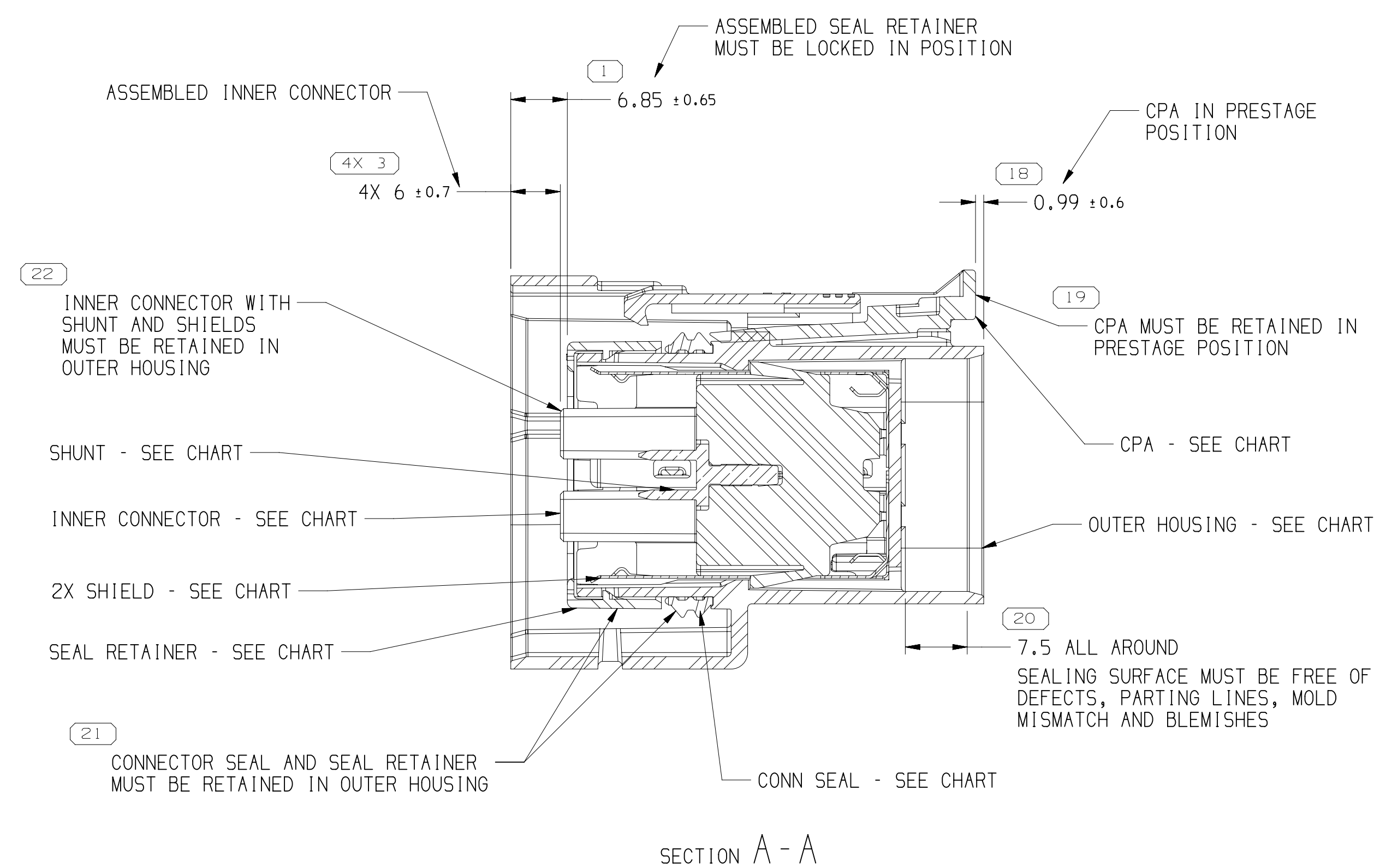
PLEASE REFER TO SHEET 2 FOR CABLE ASSEMBLY DETAILS

NOTES

- UNLESS OTHERWISE SPECIFIED AND/OR INDICATED:
DIMENSIONS ARE TO FACE OF VIEW SHOWN AND AUTOMATICALLY ROUNDED BY COMPUTER FOR INSPECTION (SEE MATH MODEL FOR PRECISE DIMENSIONS). FOR ALL OTHER DIMENSIONS NOT SHOWN BUT REQUIRED FOR TOOL BUILD, SEE MATH MODEL FOR PRECISE TOOL PATH DATA.
- MINIMUM CREEPAGE DISTANCE = 15.68MM
- ASSESSED PER IEC60664 WITH POLLUTION DEGREE = 2 OR 3, WHEN CONNECTOR IS FULLY MATED
- CREEPAGE PATH: BACK OF MALE POWER TERMINAL IN CAVITY 1 OR 2 TO BACK OF MALE POWER TERMINAL IN CAVITY 3 OR 4 (OR VICE VERSA) IN MALE INNER CONNECTOR
- FOR APPLICATION DATA SEE THE INDIVIDUAL APPLICATION DRAWINGS.
- PARTS MEET THE PERFORMANCE REQUIREMENTS OF SAE/USCAR-2 R6, SAE/USCAR-37 AUG 2008 FOR THE FOLLOWING CLASSIFICATIONS:
1. TEMPERATURE CLASS 3 (-40°C TO 125°C)
2. VIBRATION CLASS 1 (ON BODY OR CHASSIS)
3. SEALING CLASS 3 (P/V LEAK/SUBMERSION/HIGH PRESURE SPRAY)
- PART MUST BE FREE OF DUST, DIRT, CARDBOARD FIBER, LOOSE METAL SLIVERS, OR ANY PARTICULATE MATTER THAT MAY CAUSE FIT OR FUNCTION CONCERNS.



TYPE 104
SAME AS TYPE 101
EXCEPT AS SHOWN



PART NO	REV	N/P	TYPE	OUTER HOUSING	INNER CONNECTOR	CONN SEAL	CONN SEAL RETAINER	SHIELD (QTY: 2)	SHUNT	CPA
35061571	01	AC	104	35012463	35029283	35134402	33299862	33318422	33299844	33125204
35061568	01	AC	103	35012462	35029283	35134402	33299862	33318422	33299844	33125204
33314148	01	AC	102	33300626	35029283	35134402	33299862	33318422	33299844	33125204
33314147	01	AC	101	33299843	35029283	35134402	33299862	33318422	33299844	33125204

- PARTS MUST BE APPROPRIATELY PACKAGED TO AVOID ANY DAMAGE DURING SHIPPING OR HANDLING. THE SHIPPING CONTAINER MUST BE LINED WITH PLASTIC LINERS. BAGS OR LINERS MUST BE SEALED TO AVOID FOREIGN MATTER.
- WIRING SUPPLIER MUST VERIFY AND COMPLETE CABLE ASSEMBLY VALIDATION, IN COORDINATION WITH CONNECTION SYSTEM SUPPLIER. THIS WOULD INCLUDE ENVIRONMENTAL (SEALING) AND CRIMP VALIDATION STUDIES FOR SELECTED CABLE/TERMINAL/FERRULE COMBINATIONS.
- ELECTRIC VEHICLE CHARGING AND OTHER HEAVY DUTY CYCLE APPLICATIONS CARRYING >25A REQUIRE THE FOLLOWING:
- MIN 5.0 MM2 COPPER CONDUCTORS.
- TERMINAL TO CONDUCTOR INTERFACE RESISTANCE <2.0 MILLIOHMS FULL STOP SOLDERED CRIMPS ARE RECOMMENDED
- TERMINAL TEMPERATURES NEED TO BE MEASURED IN THE VEHICLE APPLICATION TO ENSURE T-RISE OVER AMBIENT IS <35°C AT MAX. STEADY STATE CURRENT.
- CAUTION: HARNESS ASSEMBLIES SHOWN CAN MATE TO MULTIPLE HEADER ASSEMBLIES AS SHOWN ON TAXI'S 33300637 & 35161786. INDEXING MUST BE VERIFIED WHEN MULTIPLE HEADER ASSEMBLIES ARE USED. PLEASE SEE INDIVIDUAL APPLICATION DRAWING FOR MATING CONNECTOR DETAILS.
- REFERENCE MANUAL 33357995 FOR ASSEMBLY/DISASSEMBLY INFORMATION.

DIMENSIONS (MM)	RANGE	TOLERANCE	CHART	ET					
FROM	>0	>20	>30	>70	>100	>150	>200	>250	>300
TO	20	30	70	100	150	200	250	300	400
TOLERANCE (UNLESS OTHERWISE SPECIFIED)									
±0.15 ±0.2 ±0.3 ±0.4 ±0.5 ±0.6 ±0.8 ±1 ±1.2									
ANGULAR TOLERANCE 12°									

•APTIV•
CONNECTION SYSTEMS
WARREN, OH
COPYRIGHT 2018 APTIV. ALL RIGHTS RESERVED.

THIS DRAWING IS THE PROPERTY OF APTIV AND CONTAINS APTIV CONFIDENTIAL INFORMATION. THE REPRODUCTION, DISTRIBUTION AND UTILIZATION OF THIS DOCUMENT OR ITS RELATED CAD DATA, AS WELL AS COMMUNICATION OF ANY CONTENT TO OTHERS, WITHOUT EXPRESS AUTHORIZATION, IS PROHIBITED.

DR	DATE
APVD1 A. GARCIA CABELLO	12FE18
APVD2 A. GARCIA CABELLO	12FE18
APVD3 THOMAS MATHEWS	12FE18
APVD4	
APVDS	

SUBSTANCES OF CONCERN AND RECYCLED CONTENT PER APTIV 10949001

APPROVAL SEC CHART

DRAWING NAME
TAXI ASM CONN 4 F H/VOLTAGE SLD

DRAWING NUMBER
33314149

SIZE A0
SCALE 2:1
FRAME NO 1
SHEET NO 1 OF 2
STG REV N/P
R 04

Mouser Electronics

Authorized Distributor

Click to View Pricing, Inventory, Delivery & Lifecycle Information:

[Aptiv:](#)

[33314147](#)