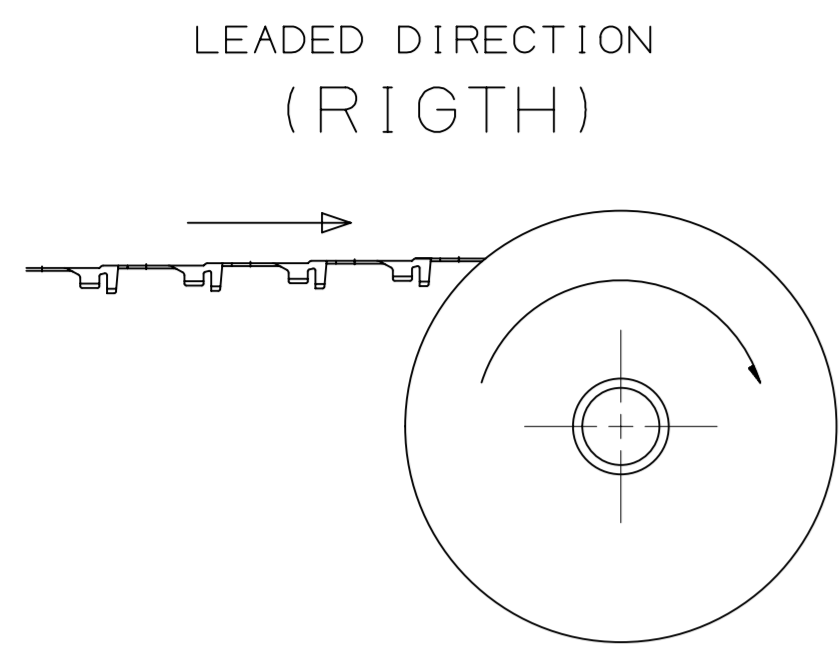
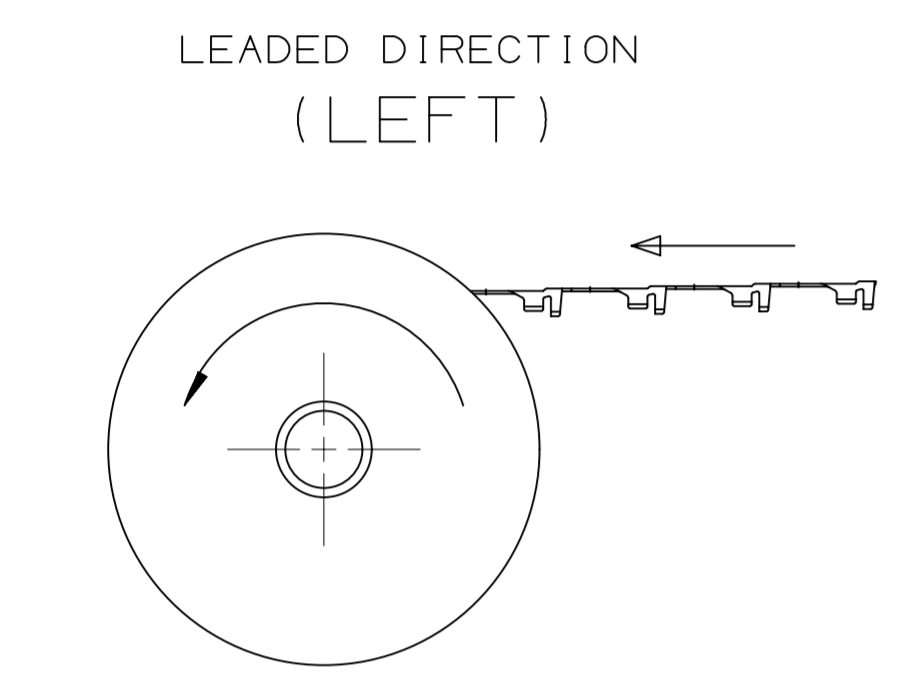


SYMBOL DEFINITION		MISSING SYMBOLS	
A DIMENSION WITHOUT AN INSPECTION REPORT SYMBOL DOES NOT REQUIRE INSPECTION. IT MAY BE CONTROLLED ON THE INDIVIDUAL COMPONENT DRAWING.	TOTAL NO OF INSPECTIONS REQUIRED	NO MISSING SYMBOL NUMBER	15
	LAST NO. USED		10

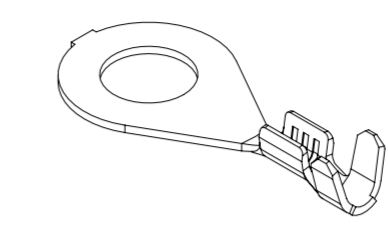
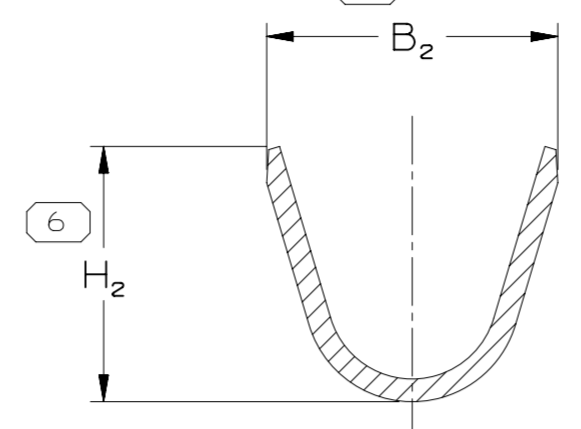
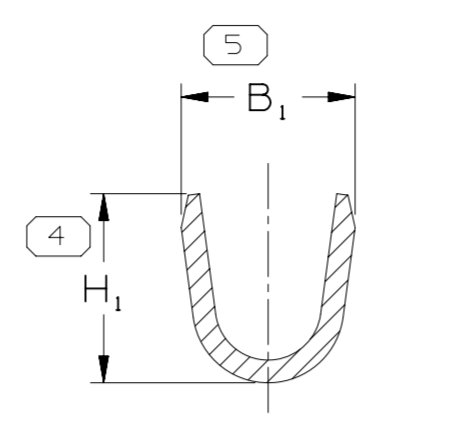
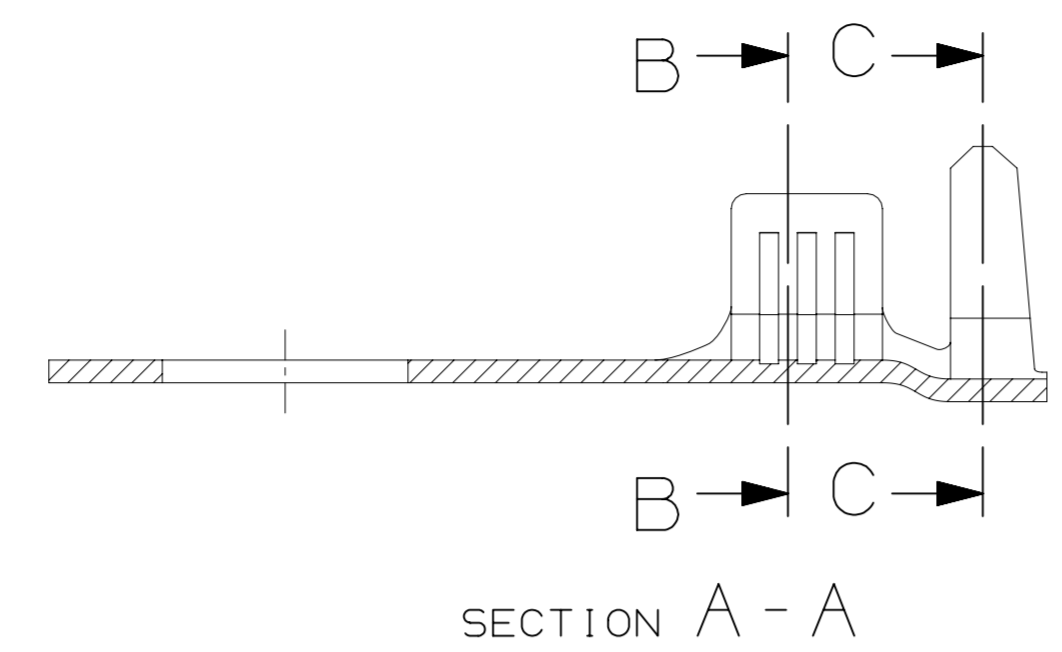
DWG STATUS					REVISION HISTORY				AUTH	DR	APVD 1	APVD 2
DATE	STG	REV	N/P	CHG	ZONE							
29SE03	R	01	-	-	-	TAXI WAS 15438755		---	POT	DWS	ASG	
13N013	R	02	AA	-	-	ADDED P/N 33521582, REVISED CHART AND ADDED INSPECTION REPORT SYMBOLS		424017	POT	DWS	ASG	
080C20	R	03	-	-	-	UPDATED TOLERANCE DIM 3		445473	POT	GFM	JAM	



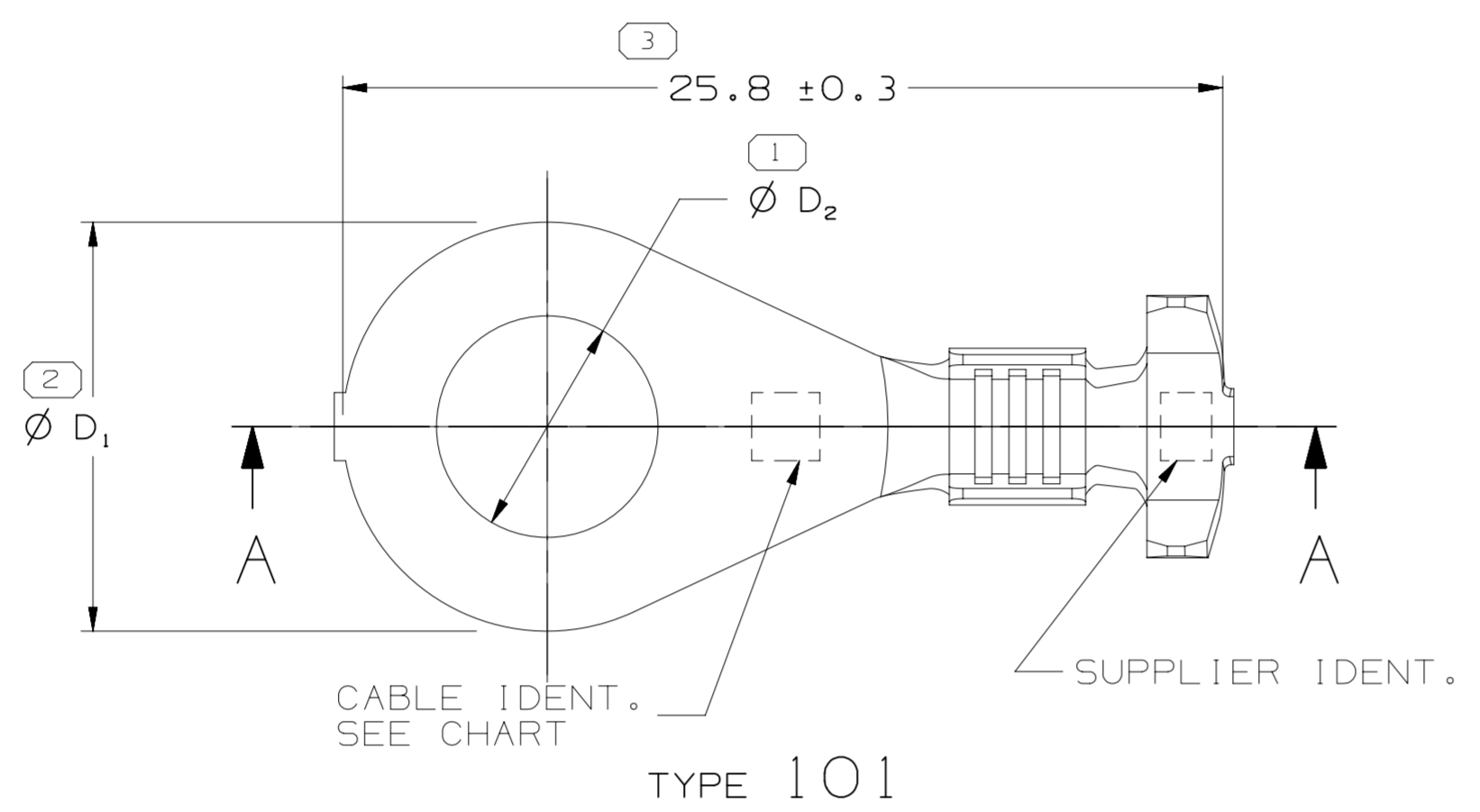
DO NOT SCALE



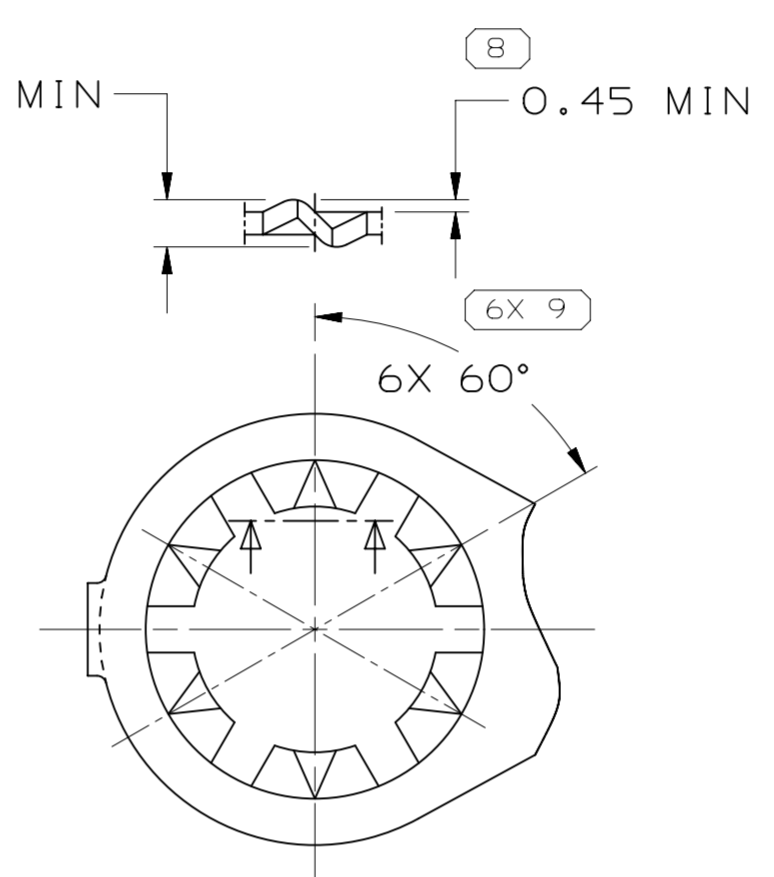
DO NOT SCALE



SCALE 2:1



TYPE 101



TYPE 102
SAME AS TYPE 101
EXCEPT AS SHOWN

PART NO	EPEC NO. (REFERENCE)	REV	N/P	MAT'L SIZE	MAT'L SPEC	SIZE (MM ²)	ID	DIA	POS PLATING	TYPE	D1 ± 0.15	D2 ± 0.15	B1 ± 0.3	B2 ± 0.3	H1 ± 0.3	H2 ± 0.3	LEADED DIRECTION									
-	EPC0101154/84	-	-	0.6 X 18.4	M1428B24 BRONZE CDA 510	>2.5-4.0	4	4.5	-	102	13	8.4	4.6	7.7	5	6.75	LEFT									
-	EPC0101154/83	-	-							101	12	6.5														
-	EPC0101154/82	-	-							102	13	8.4														
-	EPC0101154/81	-	-							101	12	6.5														
-	EPC0101154/44	-	-							102	13	8.4														
-	EPC0101154/43	-	-							101	12	6.5														
15327356	EPC0101154/41	11	AD	0.6 X 15.9	M1403B24 BRASS CDA 260	>1.0-2.5	2.5	3.7	102	13	8.4	4	6.2	4.2	5.8	LEFT										
-	EPC0101154/34	-	-						101	12	6.5															
12157741	EPC0101154/33	11	AD						102	13	8.4															
-	EPC0101154/76	-	-						101	12	6.5															
-	EPC0101154/75	-	-						102	13	8.4															
15327359	EPC0101154/74	11	AC						0.6 X 14.4	M1428796 BRONZE CDA 510	0.5-1.0						1	2.7	101	12	6.5	3	4.9	3.1	4.5	LEFT
15364303	EPC0101154/73	11	AC	102	13	8.4																				
-	EPC0101154/20	-	-	101	12	6.5																				
-	EPC0101154/19	-	-	102	13	8.4																				
12157751	EPC0101154/26	11	AC	M1403795 BRASS CDA 260	-	-	102	13				8.4	-	-	-	-			-	-	RIGHT					
12157749	EPC0101154/25	11	AC																							
12157745	EPC0101154/18	11	AC						102	13	8.4															
12157747	EPC0101154/17	11	AC						101	12	6.5															
-	EPC0101154/52	-	-						102	13	8.4															
-	EPC0101154/51	-	-						101	12	6.5															
15327358	EPC0101154/58	11	AC	-	-	-	102	13	8.4	-	-	-	-	-	-	-	-									
15327357	EPC0101154/57	11	AC															101	12	6.5						
-	EPC0101154/4	-	-															102	13	8.4						
-	EPC0101154/3	-	-															101	12	6.5						
12157750	EPC0101154/10	11	AC															102	13	8.4						
12157748	EPC0101154/9	11	AC															101	12	6.5						
12157744	EPC0101154/2	11	AC	102	13	8.4																				
12157746	EPC0101154/1	11	AC	101	12	6.5																				
33121582	-	01	-																							

LINE DRAWN THROUGH A PART NUMBER INDICATES THAT PHYSICAL PARTS ARE NOT AVAILABLE FOR ORDERING.

PART NUMBERS THAT DO NOT HAVE A LINE PRESENT INDICATE THAT PHYSICAL PARTS ARE AVAILABLE FOR ORDERING.

CONTACT APTIV SALES TO ASSURE AVAILABILITY OF PARTS.

DWG TYPE: PART DRAWING

STYLE: [Symbol]

VOLUME (CM³): [Symbol] DISTR CODE: D

UNLESS OTHERWISE SPECIFIED THIS DOCUMENT IS IN ACCORDANCE WITH ASME Y14.5M-1994 AS AMENDED BY THE GM GLOBAL DIMENSIONING AND TOLERANCING ADDENDUM-2001. SEPARATE PATTERNS OF FEATURES MAY BE GAGED SEPARATELY REGARDLESS OF DATUM REFERENCES.

ALL DIMENSIONS ARE IN MILLIMETERS

REFERENCE: [Symbol]

DIMENSIONAL RANGE (MM) CHART D

FROM	0	> 12
TO	12	> 12

TOLERANCE UNLESS OTHERWISE SPECIFIED

±0.1	±0.2
ANGULAR TOLERANCE	±2°

FIRST ANGLE [Symbol]

DO NOT SCALE [Symbol]

USE MATH DATA [Symbol]

• APTIV •

CONNECTION SYSTEMS

Jambelino, Brazil

COPYRIGHT 2002 APTIV. ALL RIGHTS RESERVED.

THIS DRAWING IS THE PROPERTY OF APTIV AND CONTAINS APTIV CONFIDENTIAL INFORMATION. THE REPRODUCTION, DISTRIBUTION AND UTILIZATION OF THIS DOCUMENT OR ITS RELATED CAD MATH DATA, AS WELL AS COMMUNICATION OF ANY CONTENT TO OTHERS, WITHOUT EXPRESS AUTHORIZATION, IS PROHIBITED.

DR	DATE
APVD1: PAULO TUDESCHINI	17SE02
APVD2: DENIS SANTOS	17SE02
APVD3: ANTONIO GROPPPO	17SE02
APVD4	
APVD5	

SUBSTANCES OF CONCERN AND RECYCLED CONTENT PER APTIV 10949001

MATERIAL: SEE CHART

DRAWING NAME: TAXI TERM RING

DRAWING NUMBER: 15446847

SIZE	SCALE	FRAME NO	SHEET NO	STG	REV	N/P
A1	5:1	1 OF 1	1 OF 1	R	03	-

Sheet: N121582.dwg Date: 27-Nov-20 Time: 08:43:47

Mouser Electronics

Authorized Distributor

Click to View Pricing, Inventory, Delivery & Lifecycle Information:

[Aptiv:](#)

[15327356](#)