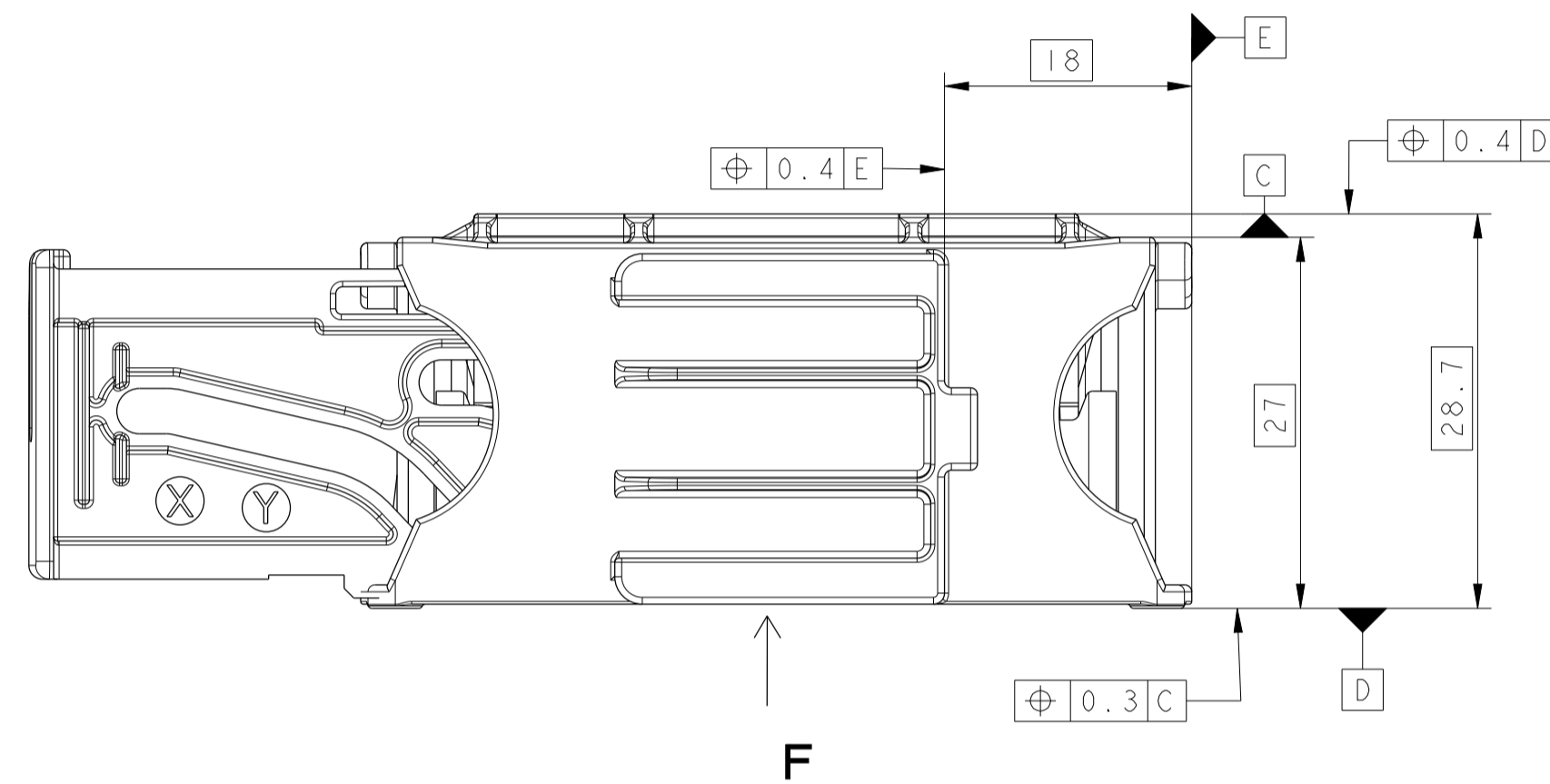
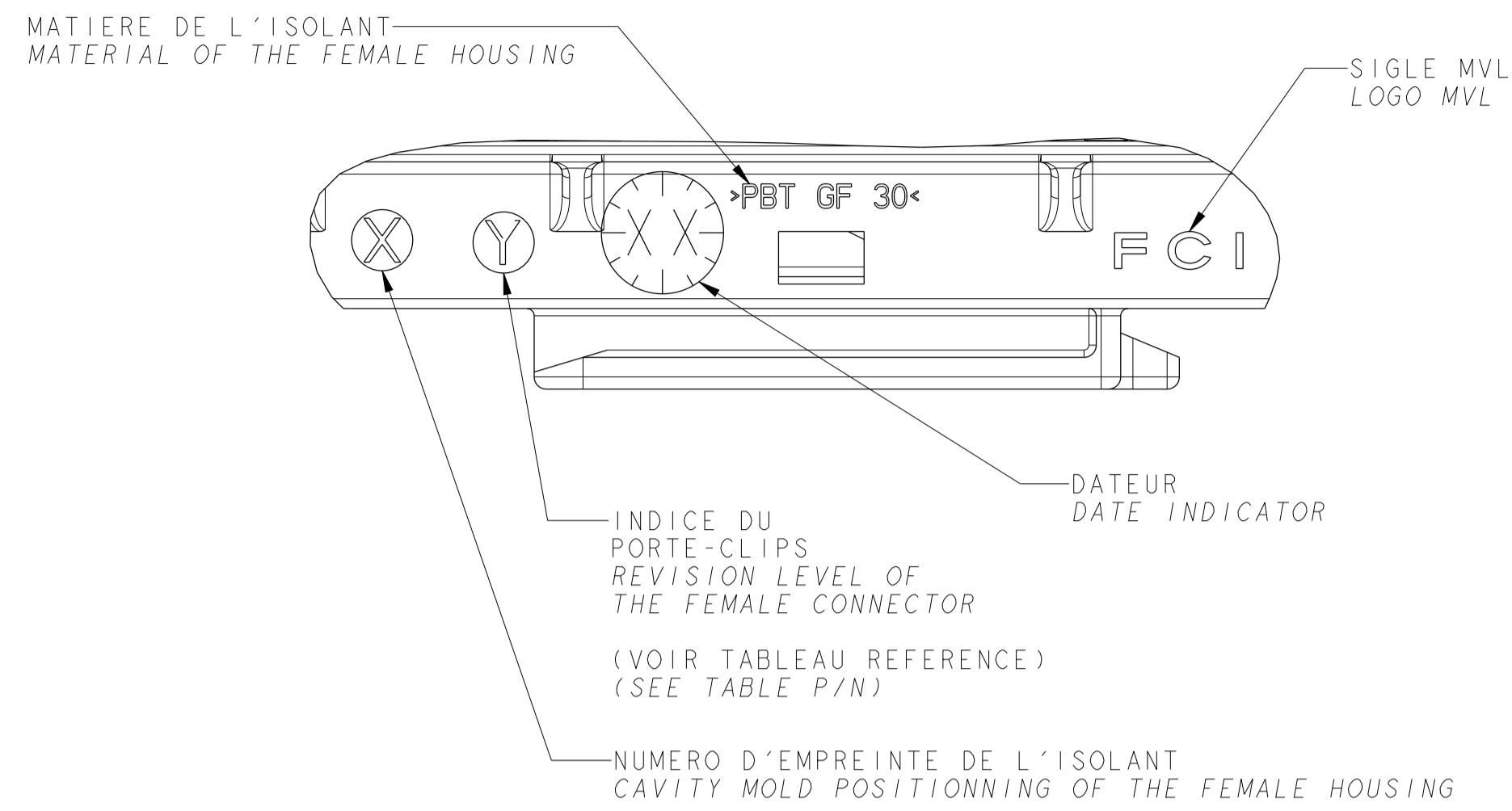
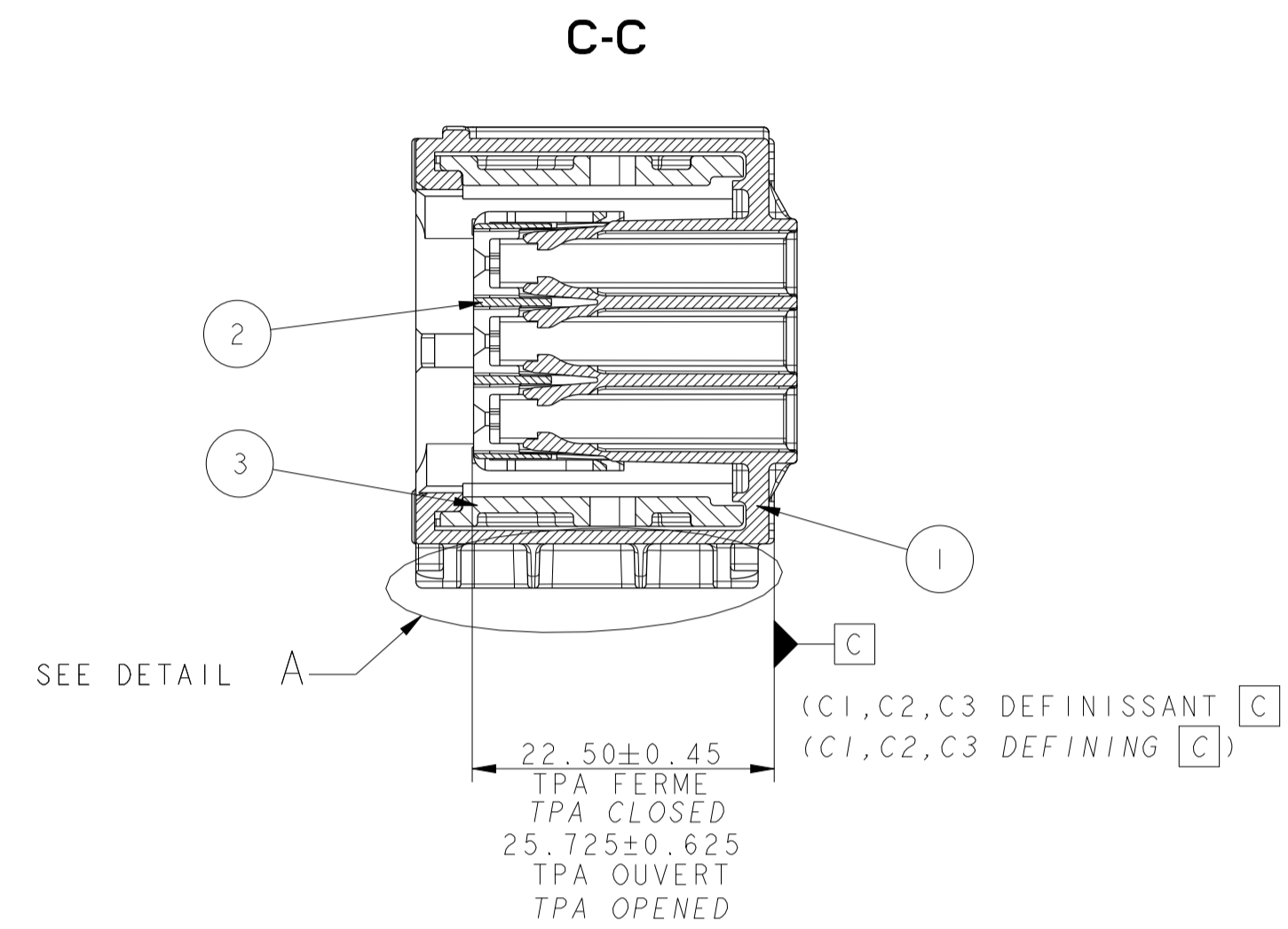


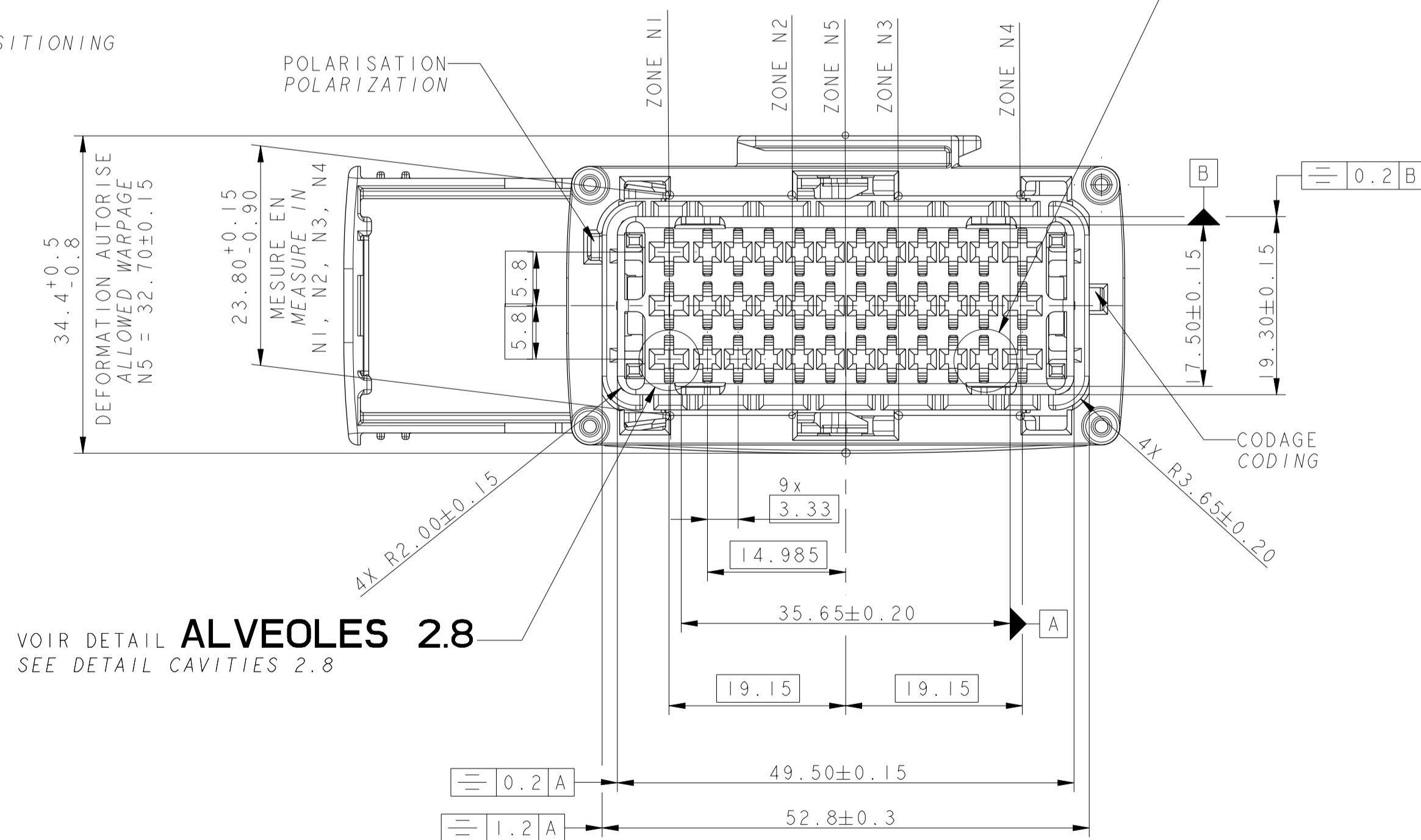
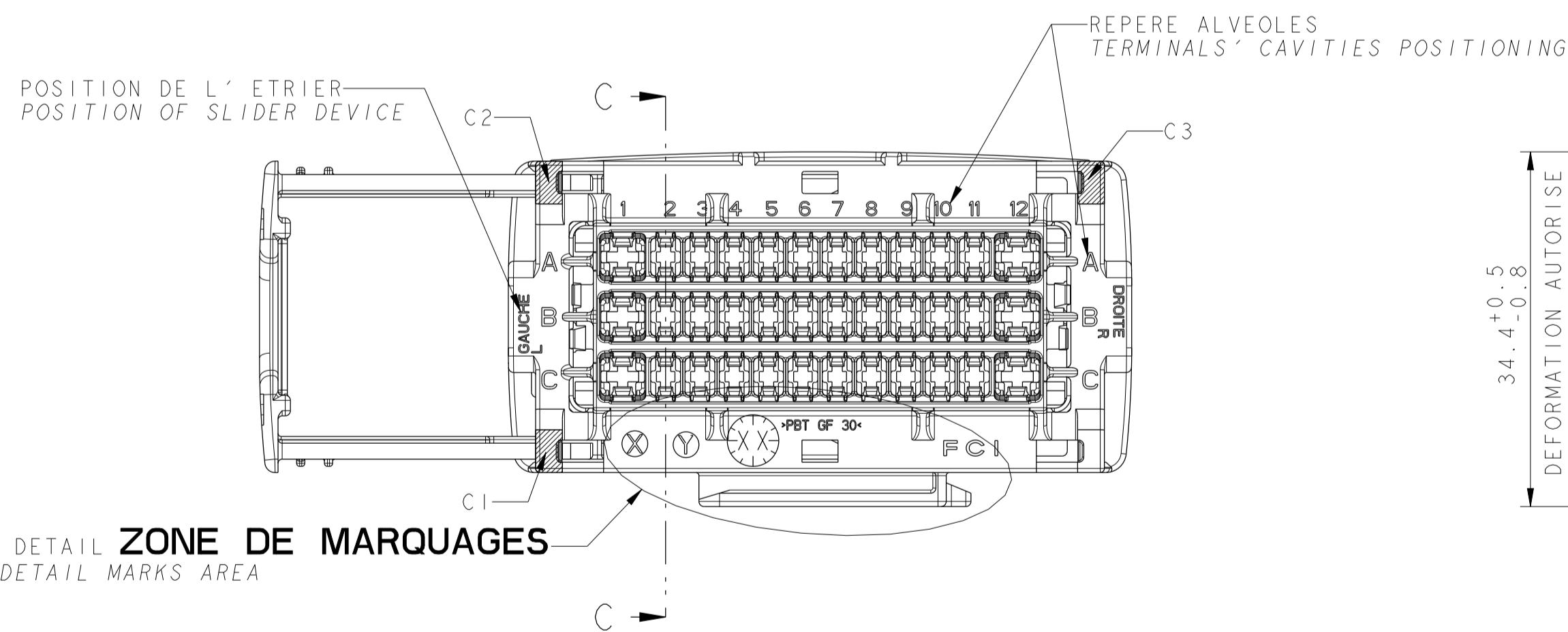
DETAIL ZONE DE MARQUAGES
ECHELLE 4:1
DETAIL MARKS AREA
SCALE 3:1



VUE ARRIERE DU CONNECTEUR (COTE CABLAGE)
BACK VIEW OF THE CONNECTOR (HARDNESS SIDE)



VOIR DETAIL ALVEOLES 15
SEE DETAIL CAVITIES 1.5



VOIR DETAIL ALVEOLES 2.8
SEE DETAIL CAVITIES 2.8

ATTENTION: L'ETRIER NE PEUT SE FERME SANS ETRE ACCOUPLE A SA CONTRE-PARTIE
THE SLIDER DEVICE CANNOT BE CLOSED WITHOUT BEING MATED WITH ITS COUNTERPART

IMPORTANT: LE PORTE-CLIPS SERA LIVRE AVEC L'ETRIER EN POSITION OUVERT.
THE FEMALE CONNECTOR WILL BE DELIVERED WITH THE SLIDER DEVICE IN OPENED POSITION.

CONNECTEUR REPRESENTE AVEC L'ETRIER A GAUCHE, CODAGE NOIR
CONNECTOR REPRESENTS WITH THE SLIDER DEVICE TO THE LEFT, BLACK CODING

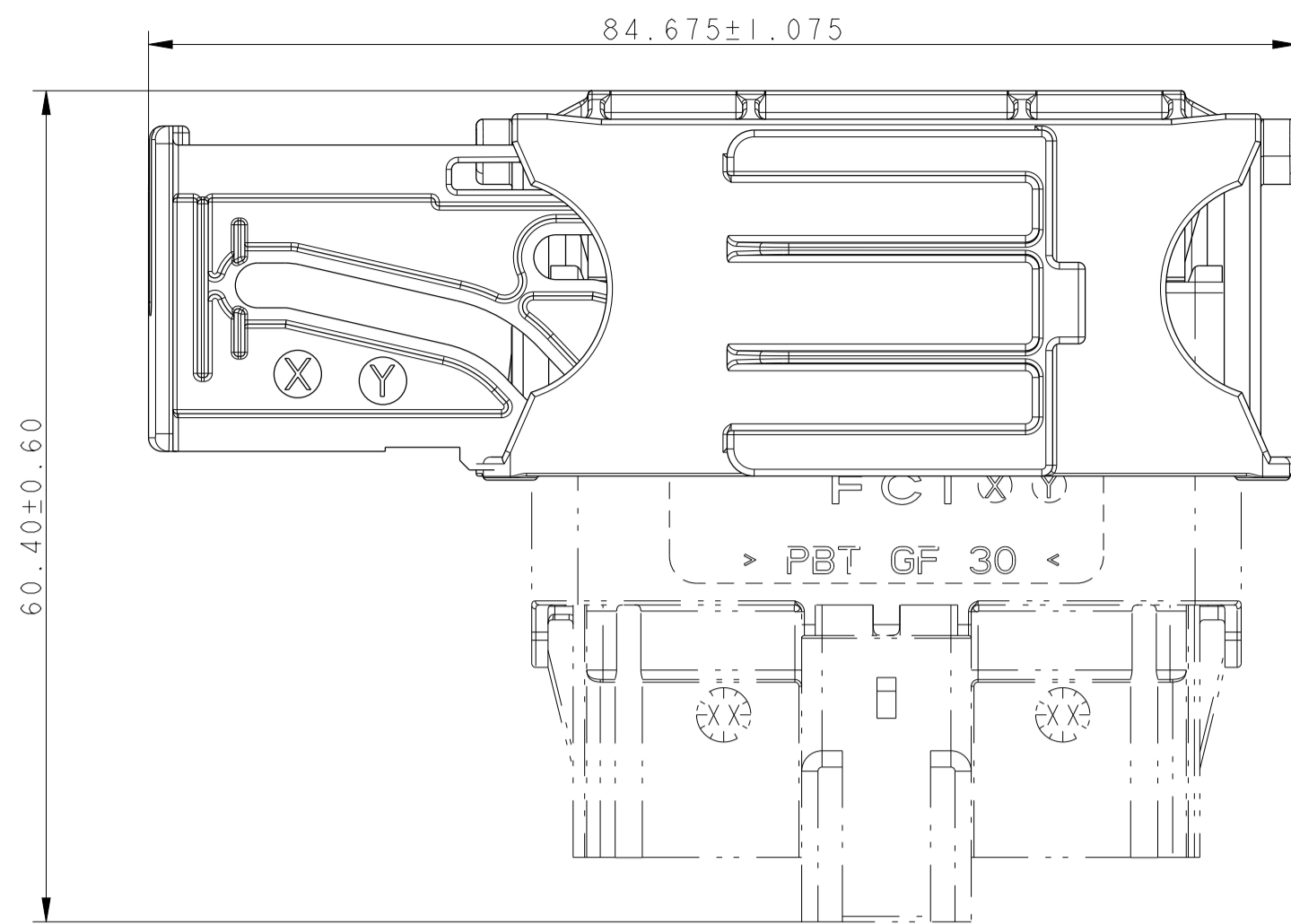
NOMENCLATURE / PARTS LIST					
REP. ITEM	QTE	DESIGNATION DESCRIPTION	MATIERE MATERIAL	COULEUR COLOR	REFERENCE MVL MVL P/N
3	1	ETRIER SLIDER DEVICE	PA6.6 30% FV PA6.6 GF 30	BLEU BLUE	PP10000111
2	1	GRILLE TPA GRID TPA	PBT 30% FV PBT GF 30	JAUNE YELLOW	PP10000110
1	1	ISOLANT PORTE-CLIPS FEMALE HOUSING	PBT 30% FV PBT GF 30	VOIR SEE	CODAGE CODING

ECN-NO. NUMERO ECN	POSITION POSITION	CHANGE DESCRIPTION MODIFICATION
-	-	INITIAL RELEASE

PROJECT SPEC. SPECIF. PRODUIT	PACKAGING SPEC. SPECIF. EMBALLAGE	APPLICATION SPEC. SPECIF. APPLICATION	COPYRIGHT DELPHI CORPORATION AND/OR ITS AFFILIATES. ALL RIGHTS RESERVED. REVISED THIS DRAWING IS THE PROPERTY OF DELPHI CORPORATION AND CONTAINS DELPHI CONFIDENTIAL INFORMATION. THE REPRODUCTION, DISTRIBUTION AND RELEASE OF THIS DOCUMENT OR ITS CONTENT OR ANY PART THEREOF, WITHOUT EXPRESS AUTHORIZATION, IS PROHIBITED. CE DOCUMENT ET SES CONTENU REPRESENTENT DES DONNEES CONFIDENTIELLES DE DELPHI. LA REPRODUCTION, LA DISTRIBUTION ET LA DIFFUSION DE CE DOCUMENT SANS LAutorisation ECRITE, EST INTERDITE.
SEE TABLE	SEE TABLE	SEE TABLE	SEE TABLE

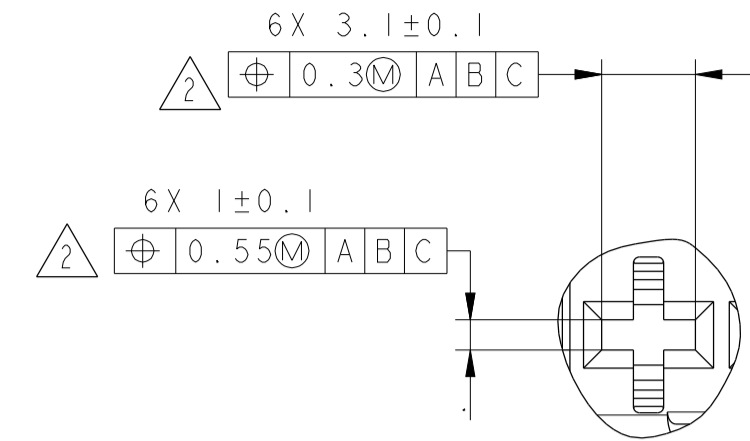
TOLERANCES TOLERANCES	±0.2	±2*	MATERIAL : MATIERE :	SEE TABLE	STATE OF SURFACE ETAT DE SURFACE	DELPHI ELECTRICAL/ELECTRONIC ARCHITECTURE EPHEMER, FRANCE	CAO SYSTEM pro / eng.
CONTRACT NO. CONTRAT N°	PP10000104	COLOR : COULEUR :	SEE TABLE	ISO PROJECTION PROJECTION ISO	UNITS DIMENSIONS IN MILLIMETERS DIMENSIONS EN MILLIMETRES	SHEET FEUILLE	1
DO NOT REASURE NE PAS REASURE	DATE	NAME	TITLE	ECO EXT. : CODE B. C.	ECO EXT. : CODE B. C.	DRAWING NUMBER REF. PLAN	IND.
CREATED BY CREEA PAR	20150907	J HOLLANDE	PROJECT PROJET	ECO EXT. : CODE B. C.	ECO EXT. : CODE B. C.	DRAWING NUMBER REF. PLAN	IND.
MODIFIED BY MODIFIE PAR	20150703	F FAHME	PROJECT PROJET	ECO EXT. : CODE B. C.	ECO EXT. : CODE B. C.	DRAWING NUMBER REF. PLAN	IND.
DESIGNED BY DESSINE PAR	20150918	S LACOTE	PROJECT PROJET	ECO EXT. : CODE B. C.	ECO EXT. : CODE B. C.	DRAWING NUMBER REF. PLAN	IND.
APPROVED BY APPR. PAR	20150918	Pascal MENARD	PROJECT PROJET	ECO EXT. : CODE B. C.	ECO EXT. : CODE B. C.	DRAWING NUMBER REF. PLAN	IND.
FILE NAME NOM DE FICHER	PCC0828894	NUMERO ESP. NUMBER CAT.	EUD040335 PCC0001641	ECO EXT. : CODE B. C.	ECO EXT. : CODE B. C.	DRAWING NUMBER REF. PLAN	IND.
		NO MODIFICATION ALLOWED OUTSIDE PAS DE MODIFICATION EN DEHORS				DRAWING NUMBER REF. PLAN	IND.

PC/PL PRE-VERROUILLES / PC/PL PRE-GUIDED



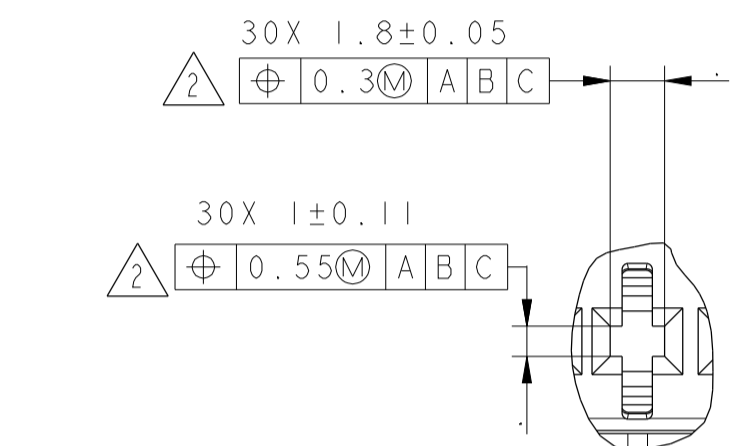
DETAIL ALVEOLES 2.8

ECHELLE 4:1
DETAIL CAVITIES 2.8
SCALE 4:1

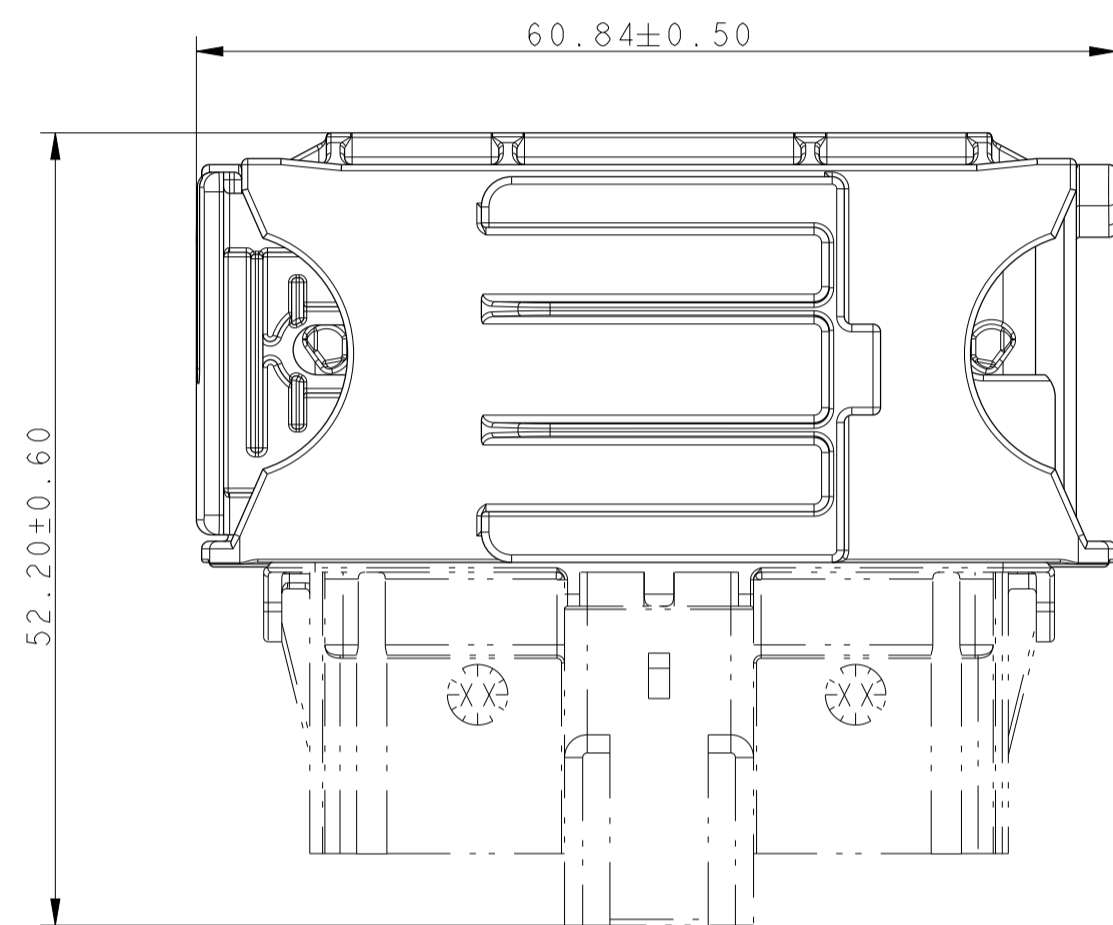


DETAIL ALVEOLES 1.5

ECHELLE 4:1
DETAIL CAVITIES 1.5
SCALE 4:1



PC/PL VERROUILLES / PC/PL MATED



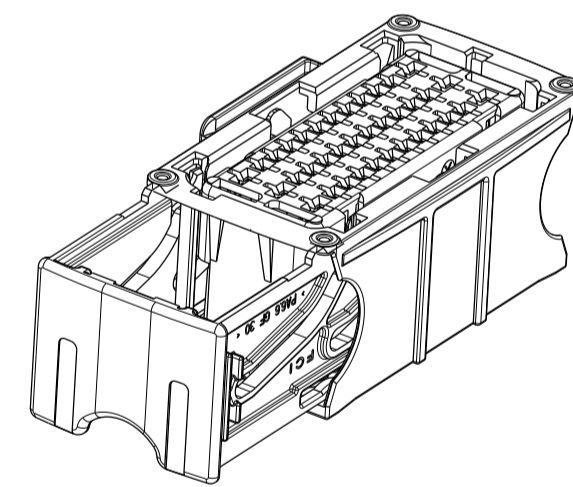
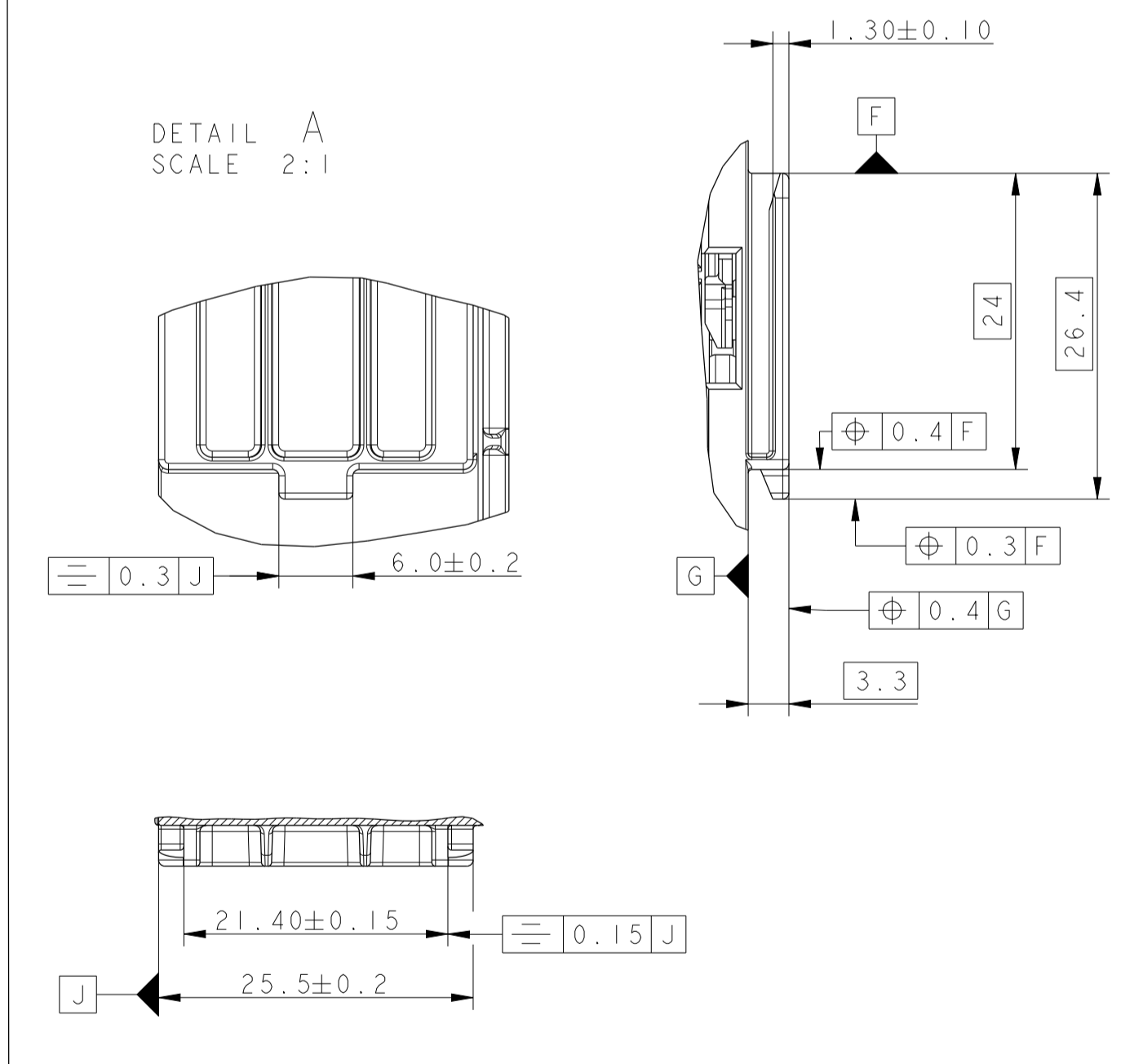
PRODUITS ASSOCIES (POUR INFORMATION) / ASSOCIATED PARTS (FOR INFORMATION)

CLIPS FEMALE TERMINALS	GAMME 1 RANGE 1	SECTION DE FILS WIRE SECTION	GAMME 4 RANGE 4	SECTION DE FILS WIRE SECTION	GAMME 2 RANGE 2	SECTION DE FILS WIRE SECTION	GAMME 3 RANGE 3	SECTION DE FILS WIRE SECTION
1.5 SICMA 2 ETAME / TINNED CLASSE 125°C DORE / GOLDED 0.2µm DORE / GOLDED 1.27µm	DELPHI REF. CUSTOMER DRAWING MVL REF. 10738188 PC211CC2SXXX0 211 CC 2 S 1 120 10727146 PC211CC2SXXX0 211 CC 2 S 1 220 10738192 PC211CC2SXXX0 211 CC 2 S 1 230 15368842 PC211CC2SXXX0 211 CC 2 S 1 150	0.352 - 0.752	10864068 PC211CC2SXXX0 211 CC 2 S 4 160	0.82 - 1.32	10726212 PC211CC2SXXX0 211 CC 2 S 2 120 1075258 PC211CC2SXXX0 211 CC 2 S 2 230 10725808 PC211CC2SXXX0 211 CC 2 S 2 150 10756749 PC211CC2SXXX0 211 CC 2 S 2 160	1.352 - 22	10725665 PC211CC3SXX20 211 CC 3 S 3 120	32 - 52
1.5 SICMA 3 ETAME / TINNED CLASSE 125°C DORE / GOLDED 1.27µm	DELPHI REF. CUSTOMER DRAWING MVL REF. 10740374 PC211CC2SXXX0 211 CC 2 S 1 160 10847225 PC211CC2SXXX0 211 CC 2 S 1 460 10725666 PC211CC3SXX20 211 CC 3 S 1 120							
2.8 SICMA 2 ETAME / TINNED CLASSE 125°C DORE / GOLDED 0.2µm	DELPHI REF. CUSTOMER DRAWING MVL REF. 10776105 PC211CC3SXX20 211 CC 3 S 1 220 10776116 PC211CC3SXX6X 211 CC 3 S 1 150							
2.8 SICMA 3 ETAME / TINNED CLASSE 85°C DORE / GOLDED 1.27µm	DELPHI REF. CUSTOMER DRAWING MVL REF. 10781041 PC211CC3SXX6X 211 CC 3 S 1 160 13567906 PC211CC3SXX6X 211 CC 3 S 1 460							
DESIGNATION DESCRIPTION	REFERENCE MVL MVL PART NUMBER	REVISION	PLAN CLIENT CUSTOMER DRAWING	REFERENCE DELPHI DELPHI PART NUMBER	REVISION			
PORTE-LANGUETTES CODAGE NOIR MALE CONNECTOR BLACK CODING	PP10000104		PCC0001642	13651194				
PORTE-LANGUETTES CODAGE GRIS MALE CONNECTOR CODING GREY	PP10000142			33502301				

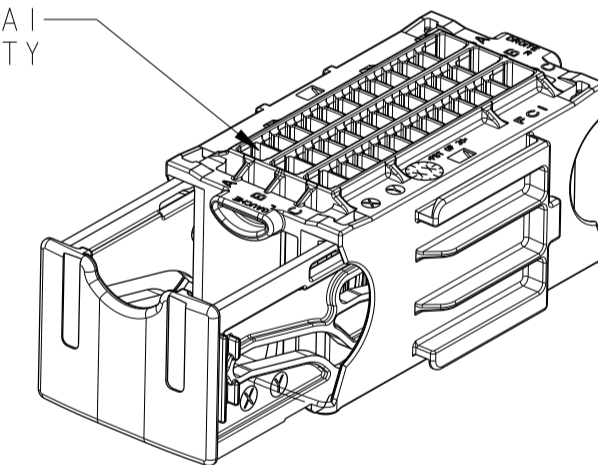
1) CONTACT CLASSE 85°C POUR UTILISATION POUR UNE CLASSE DE TEMPERATURE 1 UNIQUEMENT
CONTACT CLASS 85°C FOR USING FOR A TEMPERATUR CLASS 1 ONLY

DETAIL AGRAPHE FASTENER DETAIL

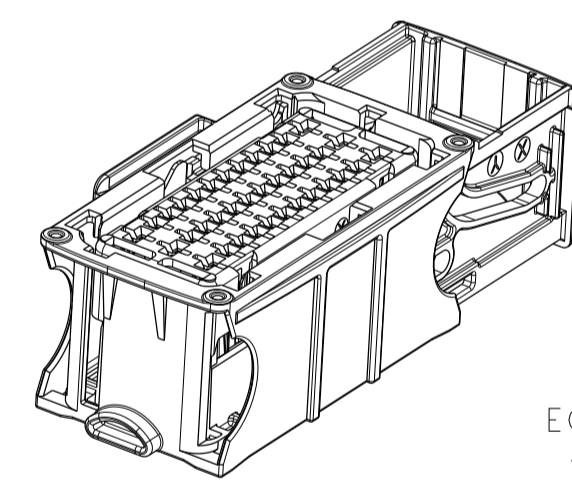
DETAIL A SCALE 2:1



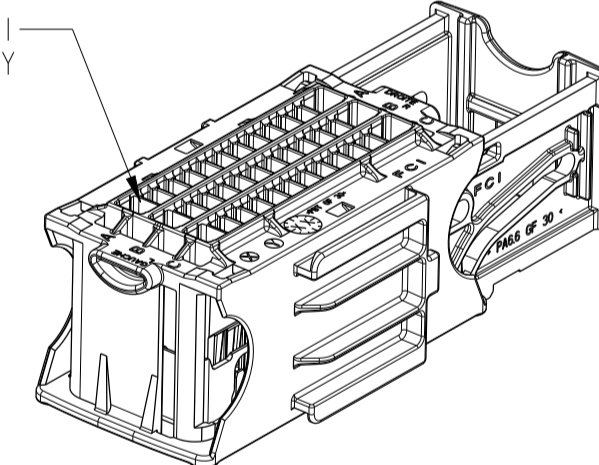
ALVEOLE AI AI CAVITY



ECHELLE 1:1
SCALE 1:1



ALVEOLE AI AI CAVITY

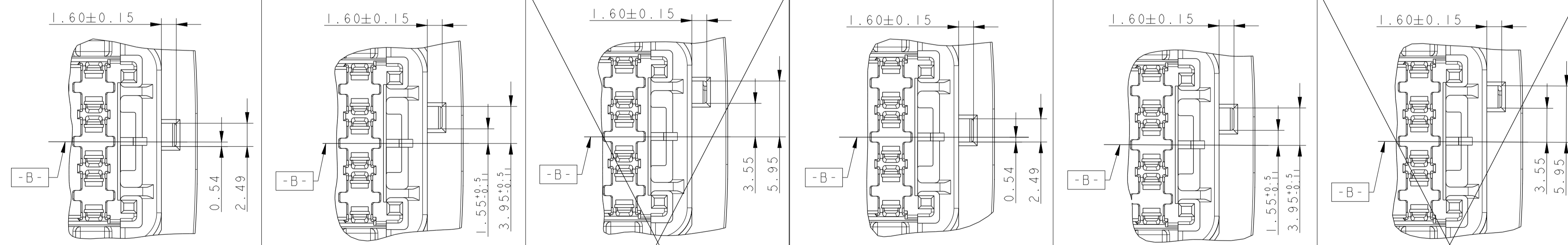


ECHELLE 1:1
SCALE 1:1

PC36V NON ETANCHE, ETRIER GAUCHE/36 W UNSEALED FEMALE CONNECTOR, SLIDER DEVICE LEFT

PC36V NON ETANCHE, ETRIER DROITE/36W UNSEALED FEMALE CONNECTOR, SLIDER DEVICE RIGHT

VUE SUIVANT F
VIEW FOLLOWING F
TOLERANCE
TOLERANCY
±0.05



CODAGE CODING	CODAGE 1 CODING 1	CODAGE 2 CODING 2	CODAGE 3 CODING 3	CODAGE 1 CODING 1	CODAGE 2 CODING 2	CODAGE 3 CODING 3
COULEUR ISOLANT COLOR OF THE FEMALE HSG	NOIR BLACK	GRIS GREY	BLEU BLUE	NOIR BLACK	GRIS GREY	BLEU BLUE
REFERENCE ISOLANT P/N OF THE FEMALE HSG	PP10000109	PP10000226	PP10000227	PP10000109	PP10000226	PP10000227
REFERENCE IMDS IMDS ID	52115837	95233703	-----	61705088	95233780	-----
REFERENCE MVL DE L'ASSEMBLAGE MVL P/N OF ASSEMBLY	PP10000108 INDICE C PP10000108 REVISION C	PP10000346 INDICE C PP10000346 REVISION C	PP10000347 INDICE C PP10000347 REVISION C	PP10000249 INDICE C PP10000249 REVISION C	PP10000344 INDICE C PP10000344 REVISION C	PP10000345 INDICE C PP10000345 REVISION C
REFERENCE DELPHI DE L'ASSEMBLAGE DELPHI P/N OF ASSEMBLY	33500789 INDICE 01 33500789 REVISION 01	33511062 INDICE 01 33511062 REVISION 01	33511063 INDICE 01 33511063 REVISION 01	13651269 INDICE 01 13651269 REVISION 01	33511064 INDICE 01 33511064 REVISION 01	33511065 INDICE 01 33511065 REVISION 01

DELPHI ELECTRICAL/ELECTRONIC ARCHITECTURE

36W UNSEALED FEMALE CONNECTOR CODE1 PREMATED STAT

36W UNSEALED CONNECTORS

PPC0828894

Serial Released

See Table

Mouser Electronics

Authorized Distributor

Click to View Pricing, Inventory, Delivery & Lifecycle Information:

[Aptiv:](#)

[33511062](#)