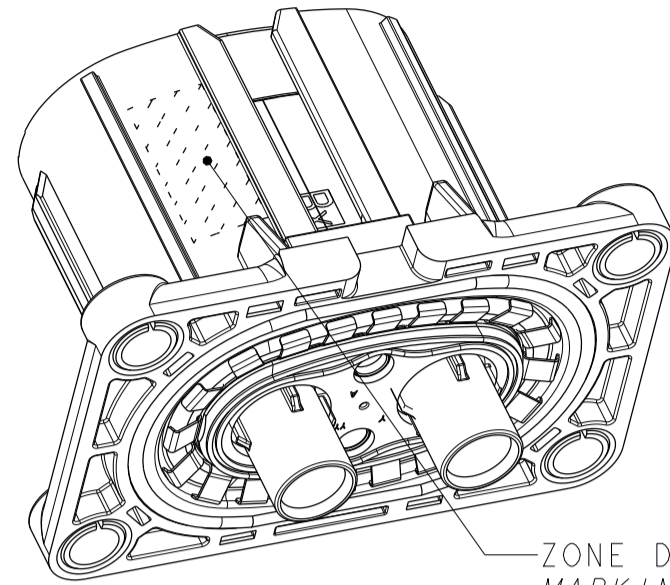
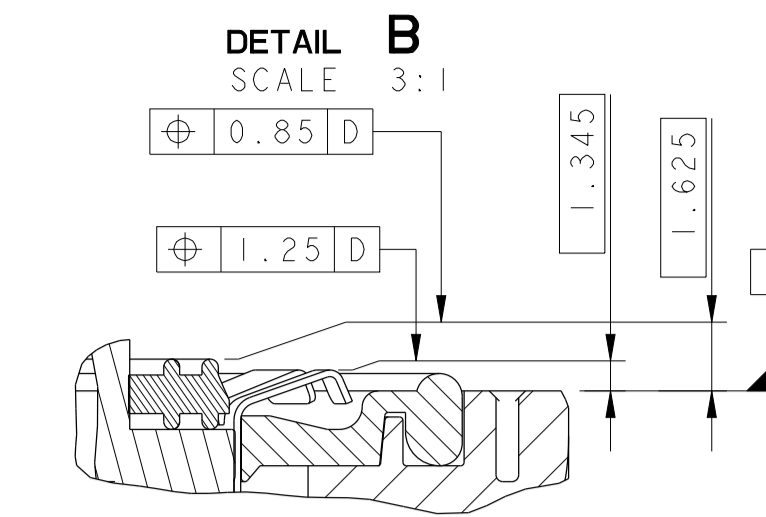


SCALE 1:1



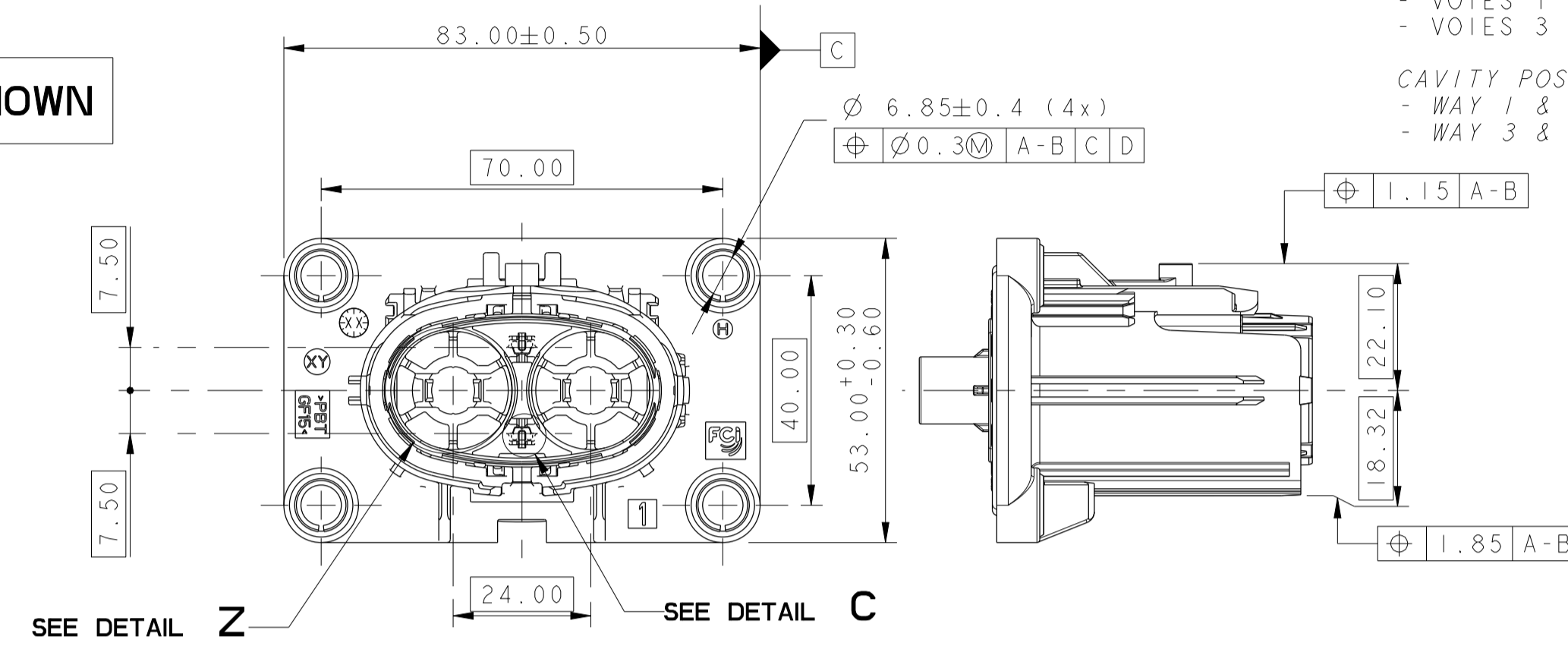
ZONE DE MARQUAGE  
MARKING AREA

DESIGNATION DESIGNATION	REFERENCE MVL MVL PART-N°	REFERENCE DELPHI DELPHI PART-N°	SECTION DU FIL WIRE SECTION	DIAMETRE EXTERNE DU FIL EXTERNAL WIRE DIAMETER	JUF / SWS		COULEUR COLOR
					REFERENCE MVL MVL PART-N°	REFERENCE DELPHI DELPHI PART-N°	
LANGUETTE RONDE 8mm ARGENTE SILVER 8mm ROUND MALE TERMINAL	TO SEE TABLE ON SHEET 2						
LANGUETTE DCS2 1.5 DOREE GOLD DCS2 1.5 MALE TERMINAL	6 010 07 14	33511802	0.35mm <sup>2</sup>	∅1.25 - 1.35	6 099 39 13	15441379	ROUGE RED
	6 010 07 34	10779703	0.5mm <sup>2</sup>	∅1.4 - 1.5	6 099 39 28	15441380	GRIS GREY
	PORTE-CLIPS 2V RCS800 V2 CODE1 2W RCS800 V2 CODE1 FEMALE CONNECTOR		F673110	A DEFINIR TO BE DEFINED			
PORTE-CLIPS 2V RCS800 V2 CODE2 2W RCS800 V2 CODE2 FEMALE CONNECTOR		F773110	A DEFINIR TO BE DEFINED				
PORTE-CLIPS 2V RCS800 V2 CODE3 2W RCS800 V2 CODE3 FEMALE CONNECTOR		A DEFINIR TO BE DEFINED		A DEFINIR TO BE DEFINED			

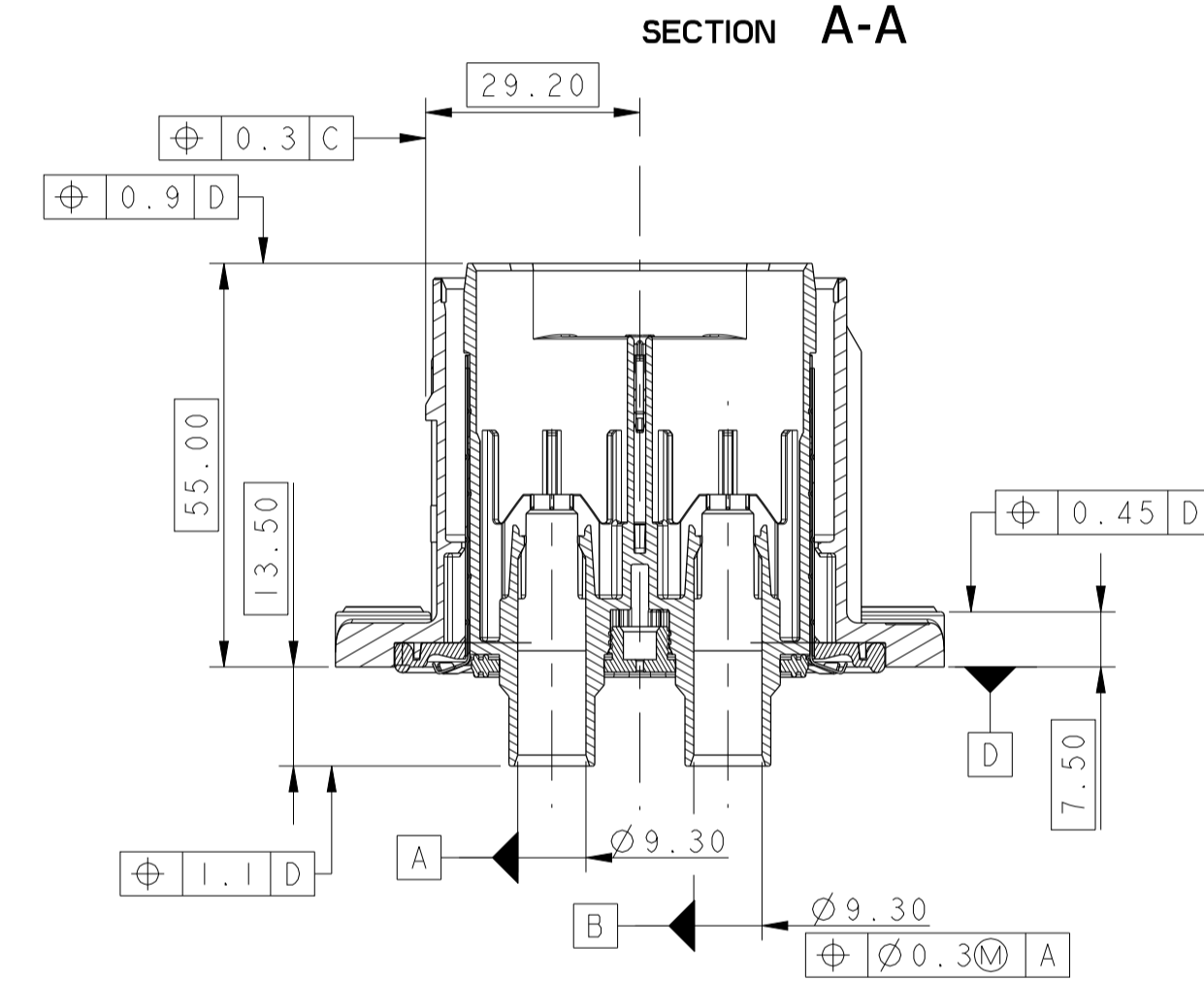
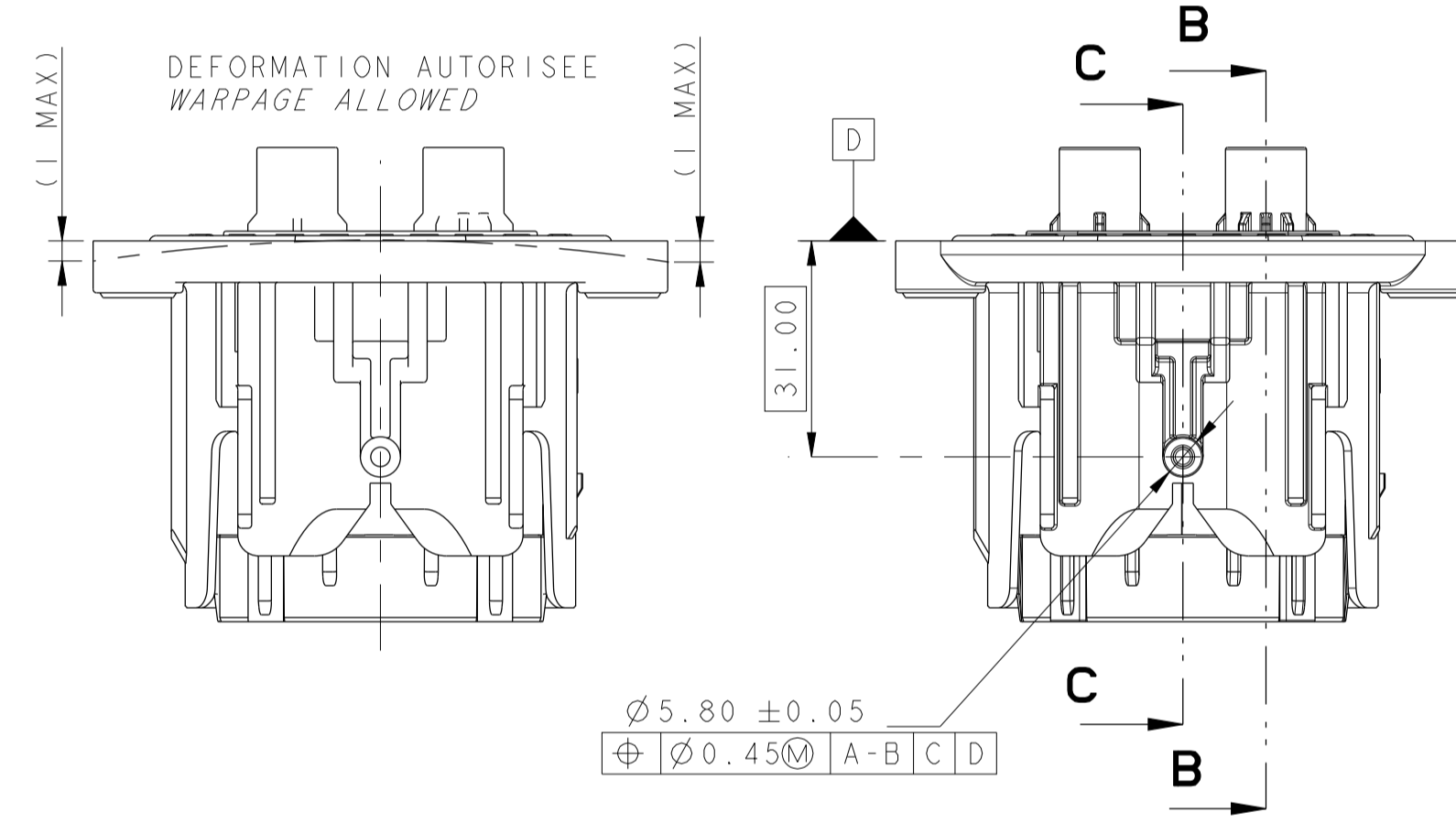
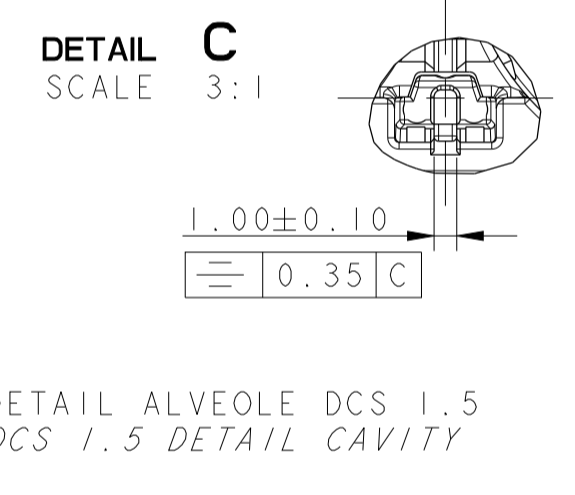
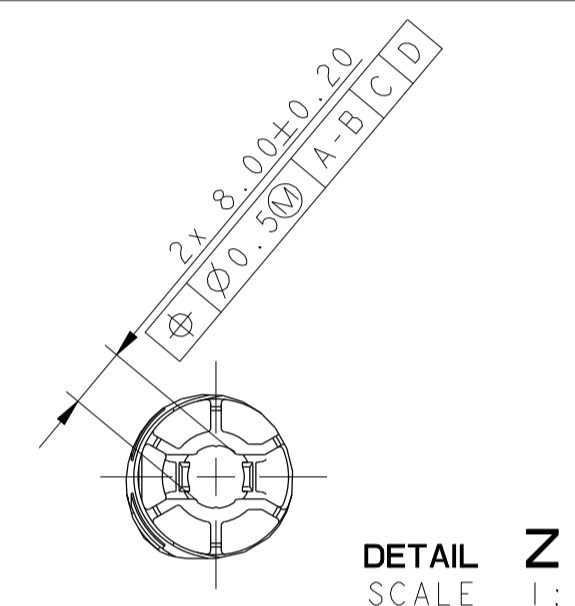
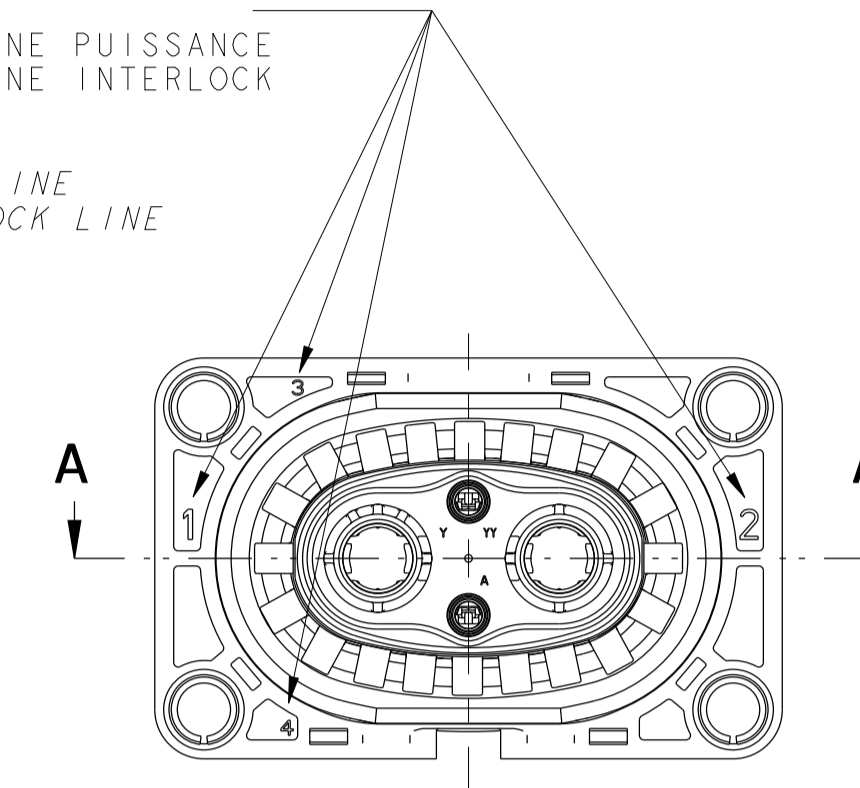


DETAIL B  
SCALE 3:1

CODING 1 SHOWN



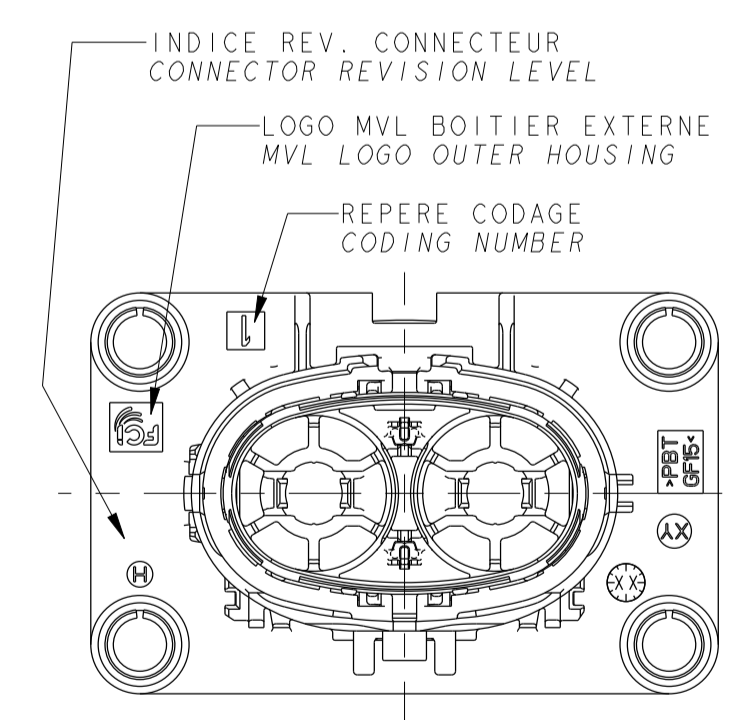
REPERES ALVEOLE :  
- VOIES 1 ET 2 : LIGNE PUISSANCE  
- VOIES 3 ET 4 : LIGNE INTERLOCK  
CAVITY POSITIONING:  
- WAY 1 & 2: POWER LINE  
- WAY 3 & 4: INTERLOCK LINE



- NOTAS :
- 1- CAHIER DES CHARGES MVL : FE PS 10 008
  - 2- CLASSE DE TEMPERATURE DU CONNECTEUR : CLASS 3 (-40°C ; +125°C)
  - 3- CLASSE DE VIBRATION : PRECONDITIONNEMENT
  - 4- 3x 16H (COMBINE AVEC TEMPERATURE -40°C/+125°C) ; 3.9g
  - 5- CLASSE D'ETANCHEITE : 1000mb INITIAL
  - 6- 500mb APRES LES TESTS D'ENVIRONNEMENT
  - 7- EFFORT D'ACCOUPLEMENT : F<80N
  - 8- CONDITIONNEMENT : FE PA 10 003
  - 9- DOSSIER DE MISE EN OEUVRE : PU138
  - 10- MASSE DU PRODUIT : 0.09 kg ±10%
  - 11- CE PLAN EST UN EXTRAIT DES PLANS DE DEFINITIONS.
  - 12- ON FERA REFERENCE POUR TOUT LITIGE AUX PLANS DE DEFINITIONS.
  - 13- PLAN DU PORTE-CLIPS: PCC0732943
  - 14- LE COUPLE DE SERRAGE PRECONISE PARTICIPE A UNE FONCTION SECURITAIRE D'ETANCHEITE.

- NOTES:
- 1- MVL PRODUCT SPECIFICATIONS: FE PS 10 008
  - 2- TEMPERATURE CLASS OF THE CONNECTOR : CLASS 3 (-40°C ; +125°C)
  - 3- VIBRATION CLASS: PRECONDITIONING
  - 4- 3x 16H (COMBINED WITH TEMPERATURE -40°C/+125°C) ; 3.9g
  - 5- SEALING CLASS: 1000mb INITIAL
  - 6- 500mb AFTER TEST ENVIRONMENT.
  - 7- MATING FORCE: F<80N
  - 8- CONDITIONING: FE PA 10 003
  - 9- HANDLING MANUAL: PU138
  - 10- MASS OF THE PRODUCT: 0.09 kg ±10%
  - 11- THIS DRAWING IS AN EXTRACT OF THE DETAIL DRAWINGS.
  - 12- IN CASE OF CONFLICT, REFER TO THEM.
  - 13- DRAWING FEMALE CONNECTOR: PCC0732943
  - 14- THE PRECONIZED SCREWING TORQUE PARTICIPATE TO A SECURITY SEALING FEATURE.

REFERENCE ET INDICE REVISION MVL MVL PART-N° AND REVISION LEVEL	F473110 REVISION H (E)	F573110 REVISION H (E)	A DEFINIR / TO BE DEFINED
REFERENCE ET INDICE REVISION DELPHI DELPHI PART-N° AND REVISION LEVEL	33511764 REVISION 02 (E)	33511762 REVISION 02 (E)	A DEFINIR / TO BE DEFINED
CODAGE MECANIQUE MECHANICAL KEY	CODAGE 1 KEY 1	CODAGE 2 KEY 2	CODAGE 3 KEY 3
IDENTIFIANT IMDS IMDS ID	212448595	212869634	A DEFINIR TO BE DEFINED
CODAGE CONNECTEUR SUIVANT VUE DE FACE ECHELLE: 1:1 PLUG CODING FRONT VIEW SCALE: 1:1			
CODAGE EQUIPEMENT SUIVANT VUE ARRIERE ECHELLE: 1:1 DEVICE CODING REAR VIEW SCALE: 1:1			



15-11822

E10/13 UPDATED PART REVISION FROM G TO H AND 01 TO 02  
RISED PRESS 1 AND PRESS 2 FEATURES. IN ORDER TO FACILITATE THE CONNECTOR UNMATING

ECN-NO. NUMERO ECH	POSITION	CHANGE DESCRIPTION	MODIFICATION

TOLERANCES: ±0.2 ±0.2

DELPHI ELECTRICAL/ELECTRONIC ARCHITECTURE

2W POWER RCS800 V2 HEADER

2W POWER RCS800 V2

PCC0732944

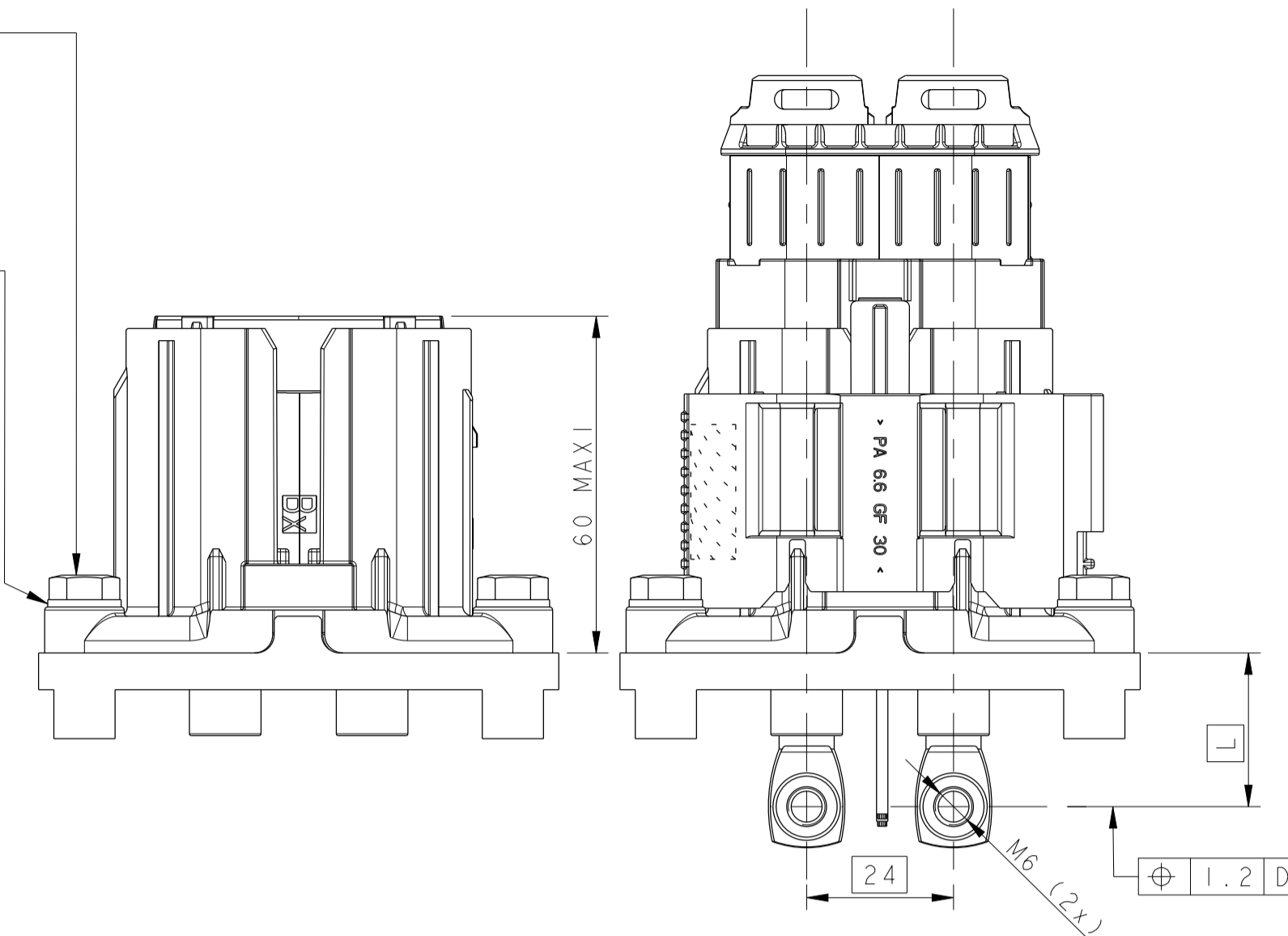
See Table

ENCOMBREMENT POUR MONTABILITE DU PORTE-CLIPS SUR EMBASE  
 FREE SPACE AREA NEEDED TO MATE AND UNMATE THE PLUG ON THE HEADER

4x VIS H M6, CLASSE 8.8 SUIVANT NORME E25-30  
 4x SCREWS H M6, 8.8 CLASS FOLLOWING NORM E25-30  
 COUPLE SERRAGE : 8Nm ±10%  
 SCREWING TORQUE : 8Nm ±10%  
 (VOIR NOTE 7 PAGE 1) / (SEE NOTE 7 ON PAGE 1)

ET / AND  
 4x RONDELLES PLATES: Z 6 U SUIVANT NFE 27-611  
 4x WASHER: Z 6 U FOLLOWING NFE 27-611

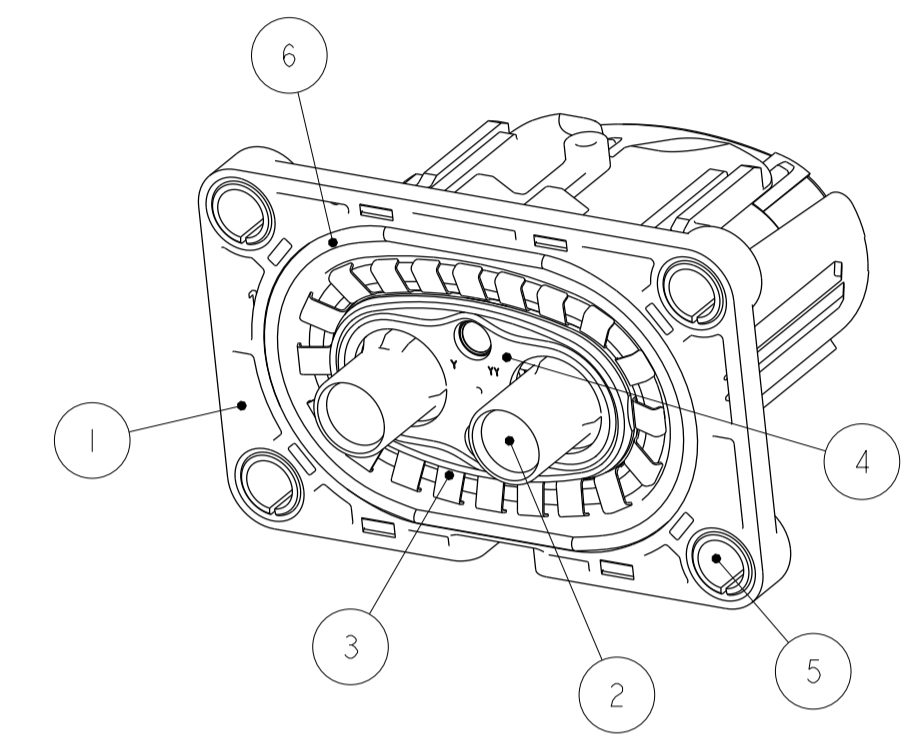
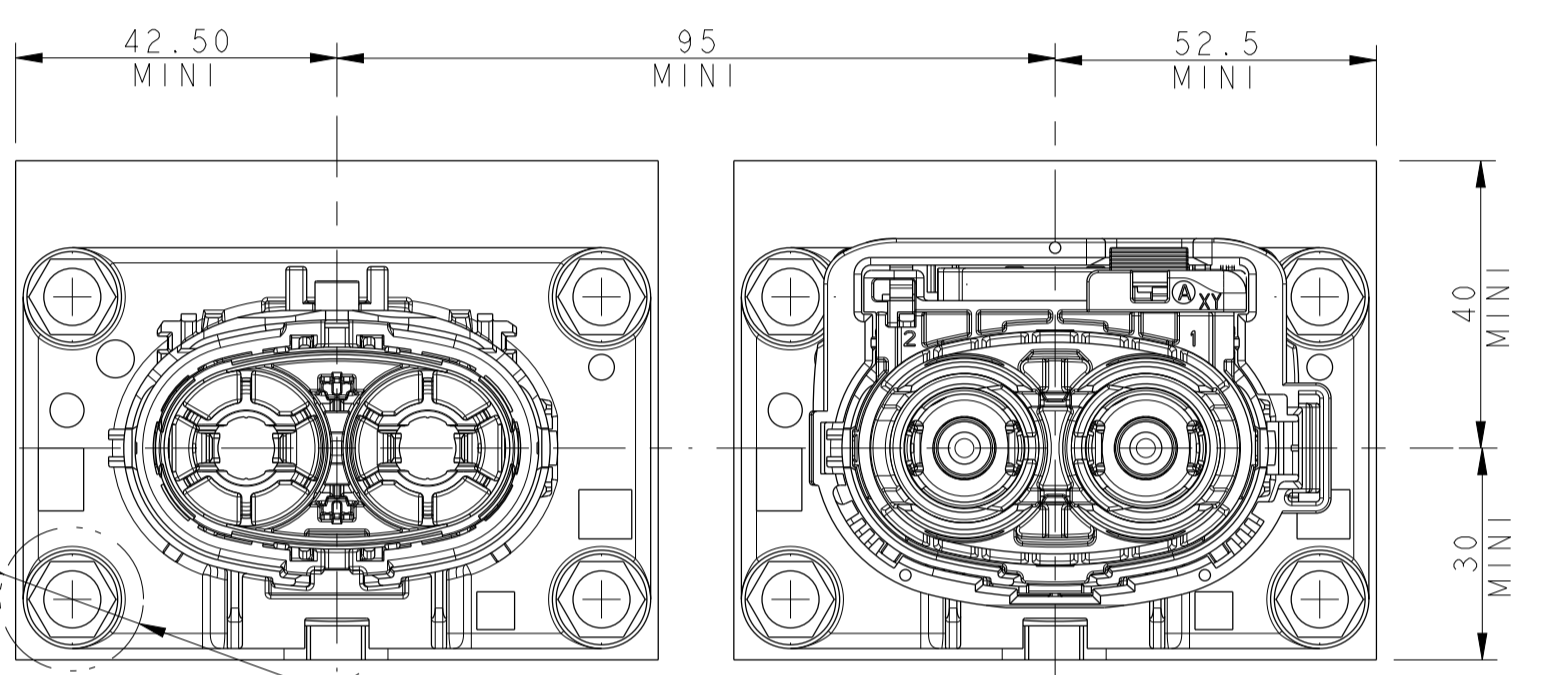
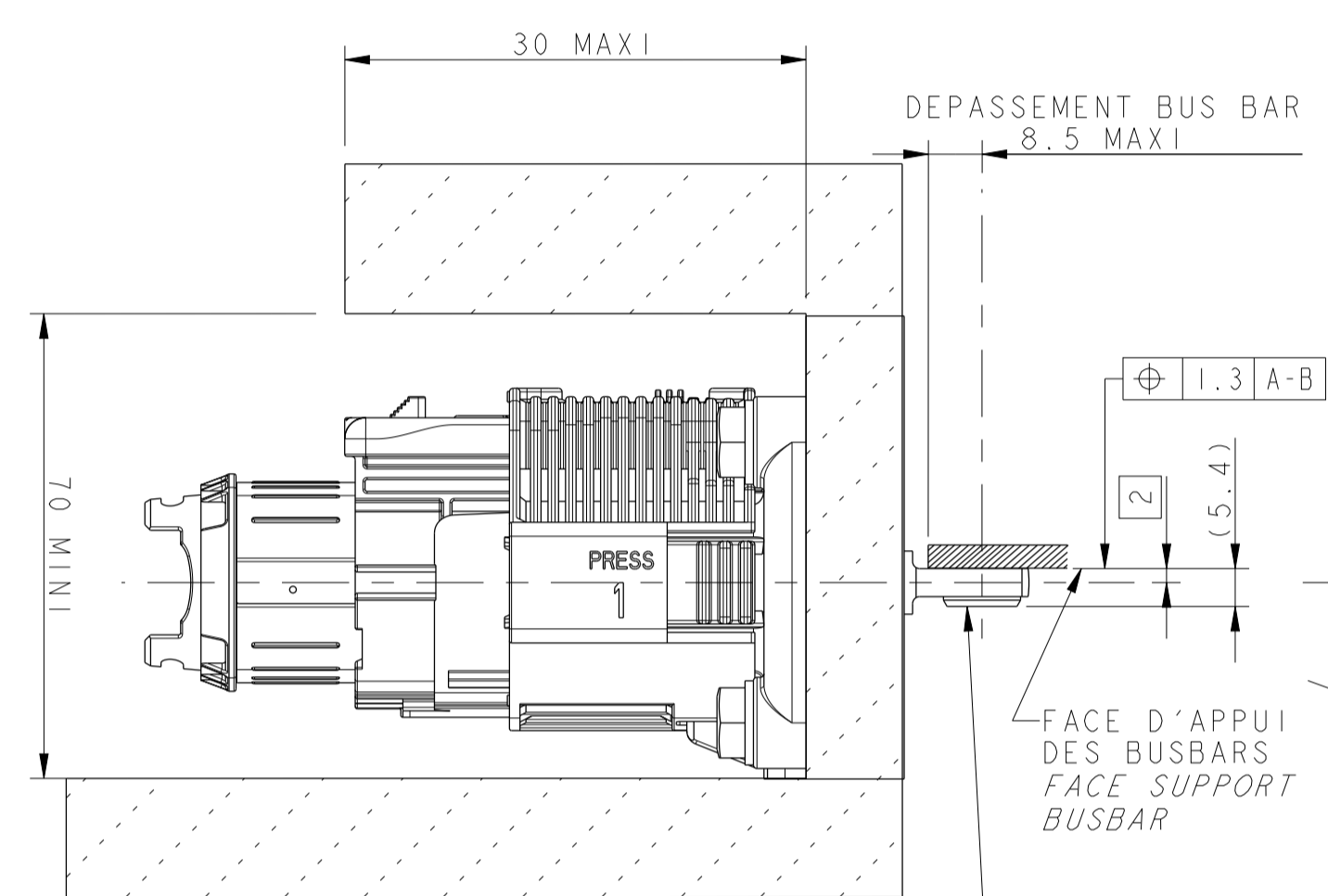
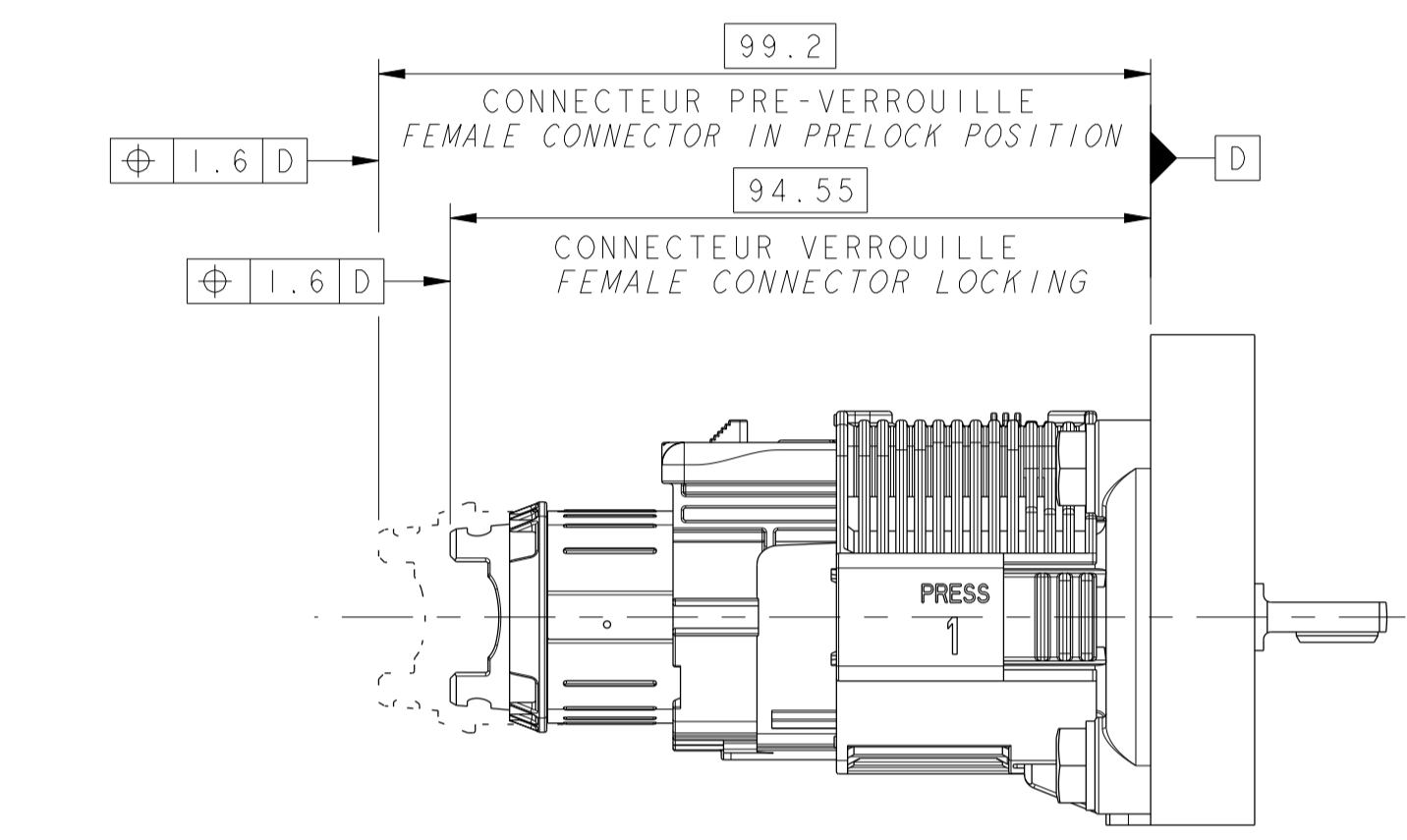
OU / OR  
 4x VIS M6 TETE HEXAGONAL TYPE 1  
 SUIVANT NES 2114\_2006-N1)  
 4x SCREWS M6 HEXAGONAL HEAD TYPE 1  
 FOLLOWING NES 2114\_2006-N1)  
 COUPLE DE SERRAGE : 8Nm±10%  
 SCREWING TORQUE : 8Nm±10%  
 (VOIR NOTE 7 PAGE 1)  
 (SEE NOTE 7 ON PAGE 1)



REPERE	DESIGNATION TITLE	COULEUR COLOR	MATIERE MATERIAL	QUANTITE QUANTITY
1	BOITIER EXTERNE OUTER HOUSING	ORANGE ORANGE	PBT 15% FV PBT GF 15	1
2	MODULE INNER HOUSING	ORANGE ORANGE	PBT 15% FV PBT GF 15	1
3	BLINDAGE SHIELD	-	ALLIAGE DE CUIVRE COPPER ALLOY	2
4	JOINT PLAT FLAT SEAL	GRIS GREY	SILICONE LSR LSR SILICON	1
5	INSERT METALLIQUE METALIC INSERT	-	ACIER CARBON STEEL	4
6	JOINT DE BLINDAGE SEAL FOR SHIELD	GRIS GREY	SILICONE LSR LSR SILICONE	1

POSITION DU BUSBAR :  
 BUSBAR POSITION:

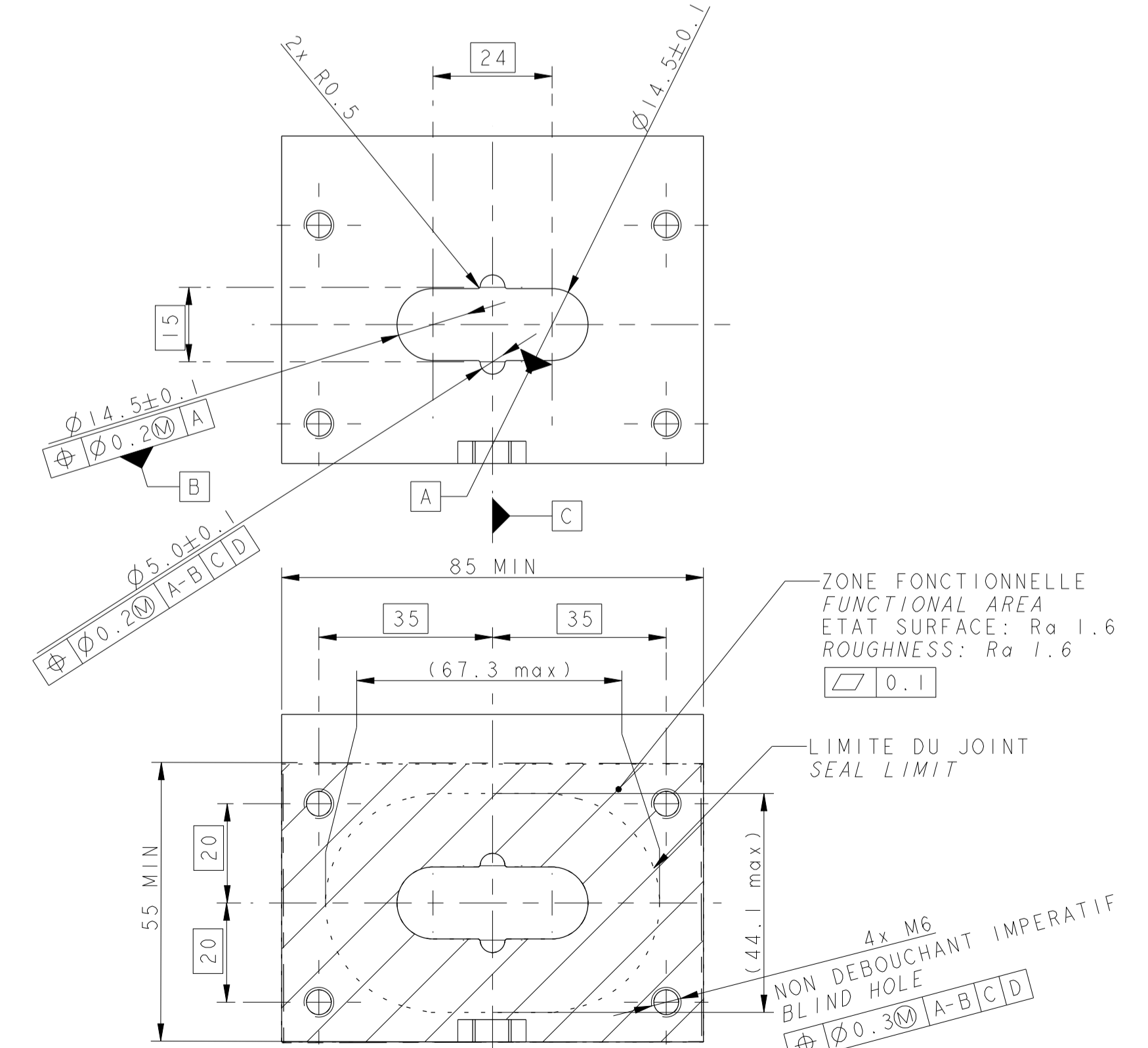
DIMENSION L EN FONCTION DES LANGUETTES RCS800 L DIMENSION DEPENDS ON THE RCS800 MALE TERMINALS		VERSION	DIMENSION L L DIMENSION
REFERENCE DES CONTACTS PART-N° OF THE MALE TERMINALS			
MVL	DELPHI		
F076600	PE211634	STD	24.8
F176600	33511746	V1	46.8
F276600	33511747	V2	70.8



NOTE:  
 FIXATION DU CONTACT MALE SUR BUSBAR AVEC VIS H M6 CLASSE 8.8 SUIVANT E25-30  
 COUPLE SERRAGE : 8Nm±15%  
 FIXATION OF THE MALE TERMINAL ON THE BUSBAR WITH H M6 CLASS 8.8 SCREW FOLLOWING E25-30  
 SCREWING TORQUE : 8Nm±15%

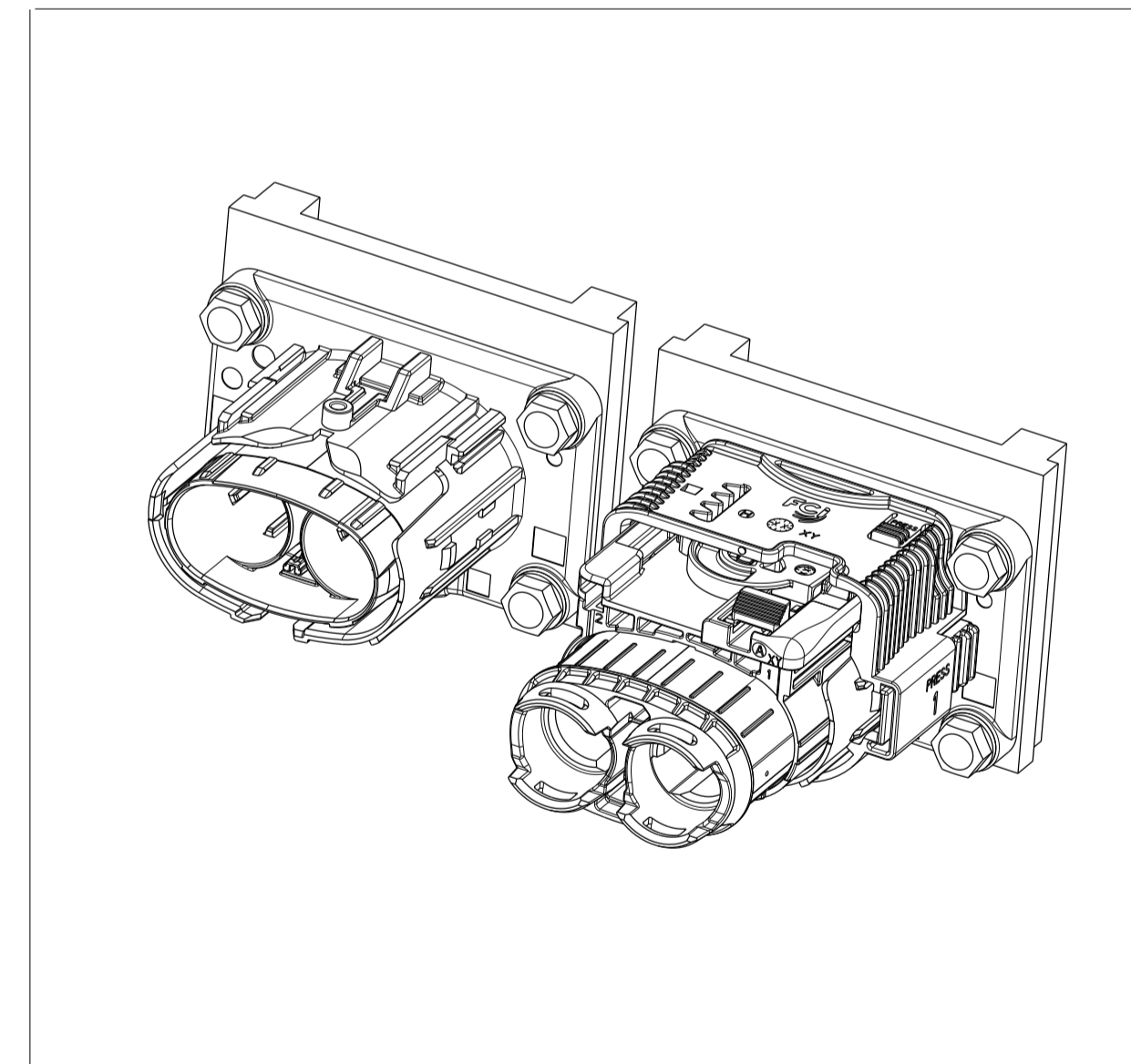
INTERDICTION DE MONTER LE BUSBAR  
 SUR CETTE FACE DU CONTACT  
 IT'S PROHIBITED TO MOUNT THE BUSBAR  
 ON THIS FACE OF THE CONTACT

DEFINITION DE L'INTERFACE POUR MONTAGE EMBASE /  
 DEFINITION OF THE INTERFACE TO ASSEMBLE THE HEADER



NOTE:  
 1 - LA REFERENCE [C] EST DEFINIE AU MILIEU DE [AB] NORMALE A [A-B]  
 THE REFERENCE [C] IS DEFINED IN THE MIDDLE OF SEGMENT [AB] NORMAL TO THE REFERENCE [A-B]  
 2 - MATIERE: ALLIAGE D'ALUMINIUM (TENUE BROUILLARD SALIN  
 + TEST ELECTRIQUE DE LA FE PS 10 005)  
 MATERIAL: ALUMINIUM ALLOY (SALT SPRAY TEST  
 + ELECTRICAL TEST FROM FE PS 10 005)

	CODE 1	CODE 2	CODE 3
CAS N°1 : CODAGE AVEC GOUPILLE RAPPORTEE USE CASE N°1 : CODING WITH A PIN			
CAS N°2 : CODAGE DANS LE MOULE USE CASE N°2 : CODING INTO THE DIE CAST			



15-11822

SHEET 1: UPDATED PART REVISION FROM G TO H AND O1 TO O2  
 RISED PRESS 1 AND PRESS 2 FEATURES, IN ORDER TO FACILITATE THE CONNECTOR UNMATING

ECN-NO NUMERO ECH	POSITION	CHANGE DESCRIPTION

DELPHI  
 PCC0732944  
 SERIAL RELEASED

# Mouser Electronics

Authorized Distributor

Click to View Pricing, Inventory, Delivery & Lifecycle Information:

[Aptiv:](#)

[33511764](#)