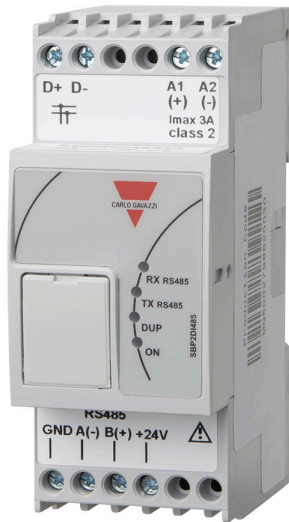


# SBP2DI48524



## Dupline® Carpark Display Interface



### Benefits

- Plug and play installation
- Can be mounted up to 300 m away from the display
- LED's for indication of communication status
- Compact 2-DIN housing suitable for decentral installation

### Description

The SBP2DI48524 Display interface module is part of the Dupline® Carpark system which contains other variants of sensors, controllers and displays. The SBP2DI48524 is a Dupline® to Modbus RTU converter and acts as an interface between Dupline® and the Carpark displays. The module is connected to the display via RS485 and is normally installed close by, but can be installed up to 300m from the display.

### Applications

Parking Guidance Systems

### Main functions

- Acts as an interface between Dupline® and the carpark displays

## Features

### Power Supply

<b>Rated operational voltage</b>	24 VDC ( $\pm 20\%$ ), 20 mA, CL.2
<b>Rated operational power</b>	300 mW (display excluded)
<b>Reverse-polarity protection</b>	Yes
<b>Connection</b>	A1 (+) 24 VDC A2 (-) 24 VDC D+ Dupline® bus D- Dupline® bus A (-) RS485 bus for display B (+) RS485 bus for display GND 24 (internally connected Max 5.5 A + display) Be sure to use correct power supply. The display is powered through the SBP2DI48524 and the internal connection can max handle 5.5 A.
<b>Power-ON delay</b>	Typical 2 s
<b>Power-OFF delay</b>	$\leq 1$ s
<b>Modbus specifications</b>	- RS485 - Max one display can be connected - Integrated display protocol based on modbus RTU

### Dupline® specifications

<b>Dupline® voltage rated</b>	8.2 V
<b>Maximum Dupline® voltage</b>	10 V
<b>Min. Dupline® peak voltage</b>	5.5 V
<b>Maximum Dupline® current</b>	1.1 mA

The Dupline® bus is present on the terminals D+/D-.

### LED indication

<b>Green LED</b>	Power status	ON: supply ON OFF: supply OFF
<b>Yellow LED</b>	Dupline® LED	If the Dupline® bus is working properly, it is always ON. If there is a fault on the bus, it will be flashing. It is OFF, if the bus is OFF or not connected.
	TX modbus	Led flashes when module sends a modbus request to display.
	RX modbus	Led flashes when display replies to a modbus request.


**Environmental**

<b>Ambient temperature</b>	-20°... +50°C (-4°... +122°F)	Operating
	-50° ... +85°C (-58° ... +185°F)	Storage
<b>Degree of protection</b>	Front	IP50
	Screw terminal	IP20
<b>Pollution degree</b>	2	IEC 60664-1, par. 4.6.2
<b>Installation category</b>	III	
<b>Humidity (not condensing)</b>	20 ... 80% RH	
<b>Dielectric strength</b>	Power supply to Dupline® and display to Dupline®	4 kVAC for 1 min. 6 kV impulse 1.2/50us


**EMC**

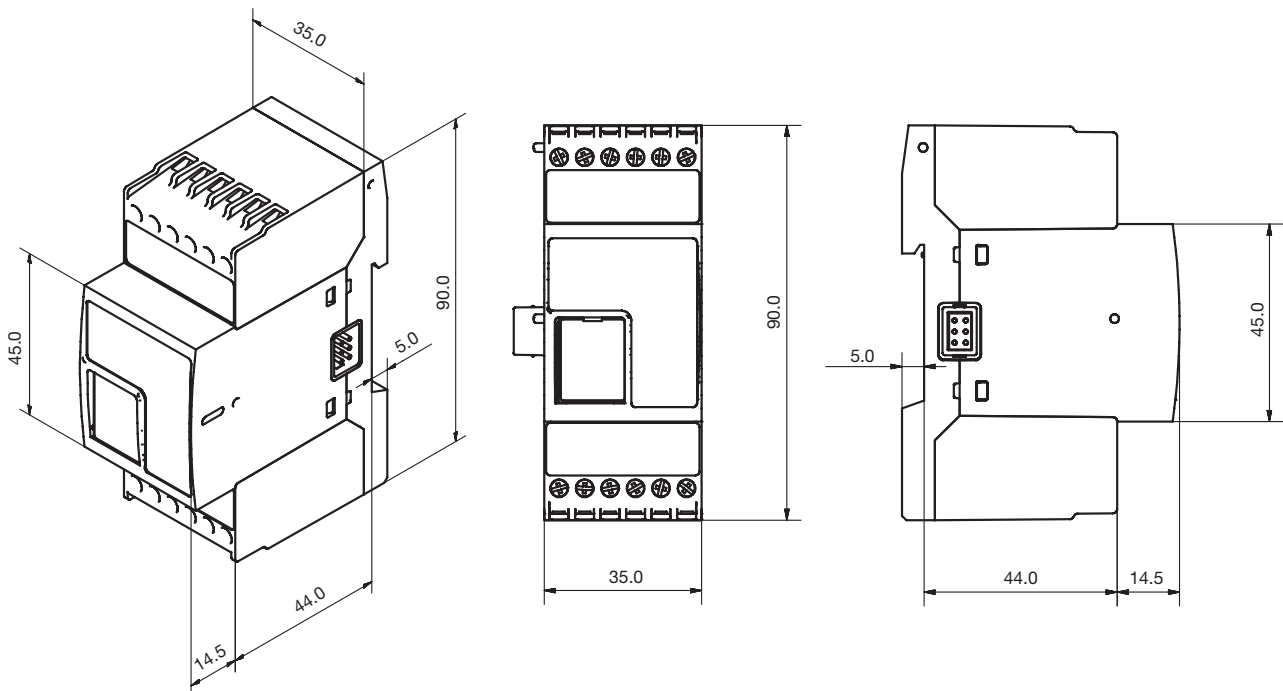
<b>Immunity</b>	EN61000-6-2
<b>Emission</b>	EN61000-6-3

## Mechanics

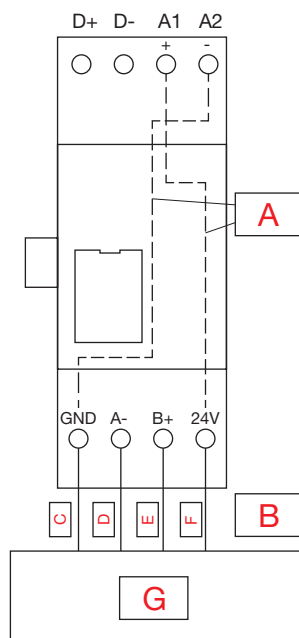
### Housing

Dimensions	2 DIN module
Housing material	Noryl
Weight	120 g

### Dimensions (mm)



## Wiring



<b>A</b>	Internal jumper Max 5.5 A	<b>E</b>	Green
<b>B</b>	Cable distance between display and module is max 300 m.	<b>F</b>	Brown
<b>C</b>	White	<b>G</b>	Display
<b>D</b>	Yellow		

## Connection

<b>Terminal</b>	8-screw type
<b>Cable cross-section area</b>	Max. 1.5 mm <sup>2</sup>
<b>Tightening torque</b>	0.4 Nm / 0.8 Nm
<b>RS485 cable</b>	Max 300 m from module to display



## Compatibility and conformity

### Approvals

CE-marking	
Approvals	

#### UL notes

- This product is intended to be supplied by a Listed Information Technology Equipment AC Adaptor marked NEC Class 2 or LPS
- Max ambient temperature: 50°C (122°F)



## Mode of operation

The SBP2DI48524 is a Dupline® to Modbus RTU converter that is used as an interface between Dupline® and the carpark displays.

The module has no DIP-switch settings, but is configured from the SBP2WEB24 controller configuration software.

Each display must be connected to one SBP2DI48524 module and it can be connected in close range from the display or in a cabinet in a far distance from the display.

When connected and configured, the display interface module has two yellow LED for Tx and Rx. Both LEDs will flash if the transmission is ok.

The SBP2DI48524 continuously checks for presence and correct operation of the display.

### ▶ Address assignment

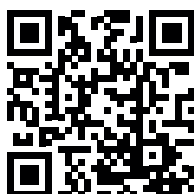
Automatic: the controller recognises the module through the SIN (Specific Identification Number) that has to be inserted in the SBP2WEB24

## References

### ▶ Product selection key



SBP2DI48524



COPYRIGHT ©2016  
Content subject to change. Download the PDF: [www.productselection.net](http://www.productselection.net)

# Mouser Electronics

Authorized Distributor

Click to View Pricing, Inventory, Delivery & Lifecycle Information:

[Carlo Gavazzi:](#)

[SBP2DI48524](#)