

PART NAME: BALL KNOB    SCALE: 1:1    DATE: 11/16/92    DRN. BY: HD

THIS DRAWING IS THE PROPERTY OF DAVIES MOLDING COMPANY, IS SUBMITTED SOLELY AS A DESIGN OR ENGINEERING PROJECT. WE ACCEPT NO RESPONSIBILITY WHATSOEVER FOR THE PRACTICAL APPLICATION OF THE PIECES MADE TO THIS DESIGN.



DESIGNERS & MANUFACTURERS  
OF KNOBS, HANDLES, CASES &  
CUSTOM PLASTIC COMPONENTS

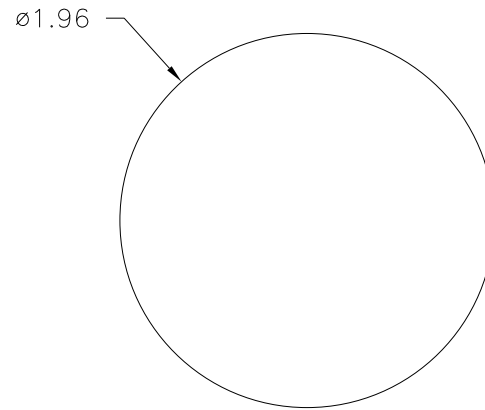
P/N 0055BH

BASE PART 0055-01

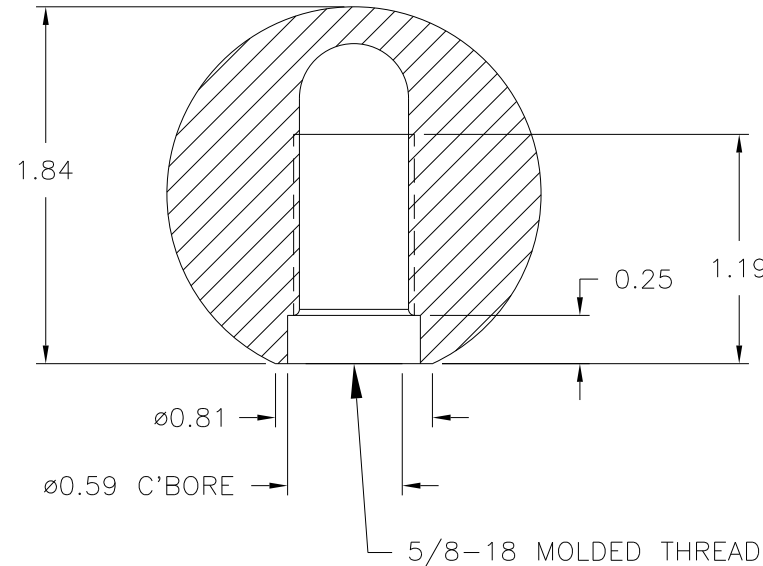
(B)

(C)

(A)



NOTE: BUFFED AND POLISHED



MATERIAL: G.P. PHENOLIC (B11)  
COLOR: BLACK

TOLERANCES:  
UNLESS OTHERWISE SPECIFIED

DO NOT SCALE  
DRAWING

DECIMALS: X.XXX ± .005  
              X.XX ± .015

MM: X.XX ± 0.15MM  
      X.X ± 0.4MM

FRACTIONS ± 1/64

ANG. ± 1°

C	ADDED BASE PART	JAM	2/25/14
B	REMOVED BASEPART	JAM	4/8/13
-	UPDATED TOOLBOX	JAM	1/14/03
-	REDRAWN	TL	9/29/99
A	REMOVED ROTARY TOOLING	MP	2/24/97

CHANGES



# Mouser Electronics

Authorized Distributor

Click to View Pricing, Inventory, Delivery & Lifecycle Information:

[Davies Molding:](#)

[0055BH](#)