

256-Kbit (32 K × 8) AutoStore+ nvSRAM

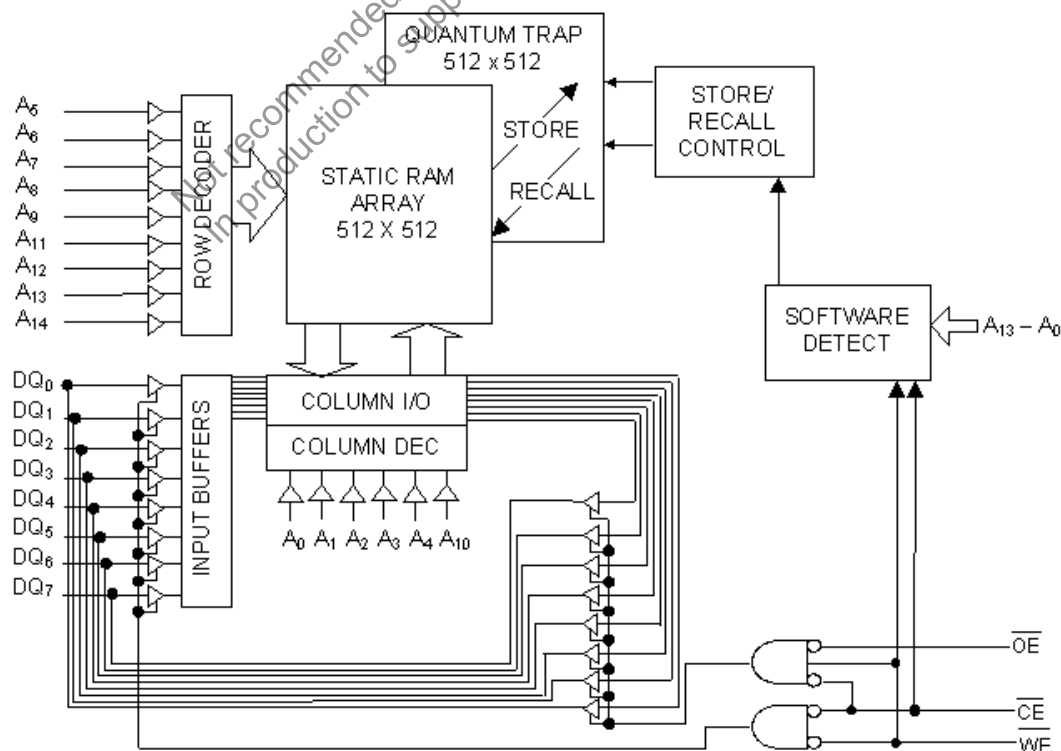
Features

- 25 ns and 45 ns access times
- Directly replaces battery-backed SRAM modules such as Dallas/Maxim DS1230 AB
- Automatic nonvolatile STORE on power loss
- Nonvolatile STORE under Software control
- Automatic RECALL to SRAM on power up
- Unlimited Read/Write endurance
- Unlimited RECALL cycles
- 1,000,000 STORE cycles
- 100 year data retention
- Single 5 V ± 10% power supply
- Commercial and Industrial Temperatures
- 28-pin (600 mil) PDIP package
- RoHS compliance

Functional Description

The Cypress STK16C88 is a 256 Kb fast static RAM with a nonvolatile element in each memory cell. The embedded nonvolatile elements incorporate QuantumTrap technology producing the world's most reliable nonvolatile memory. The SRAM provides unlimited read and write cycles, while independent, nonvolatile data resides in the highly reliable QuantumTrap cell. Data transfers from the SRAM to the nonvolatile elements (the STORE operation) takes place automatically at power down. On power up, data is restored to the SRAM (the RECALL operation) from the nonvolatile memory. Both the STORE and RECALL operations are also available under software control.

Logic Block Diagram

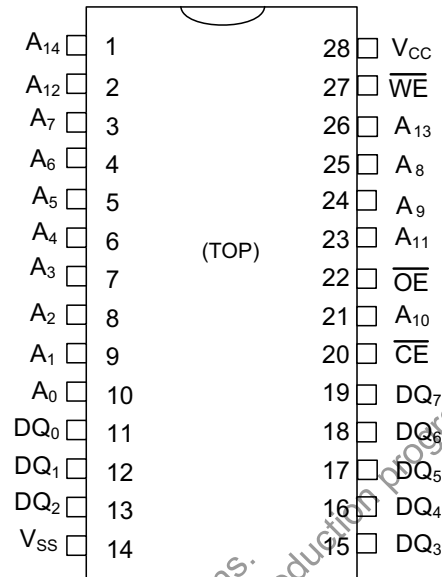


**Contents**

<b>Pin Configurations</b> .....	<b>3</b>	<b>AC Test Loads</b> .....	<b>8</b>
<b>Pin Definitions</b> .....	<b>3</b>	<b>AC Test Conditions</b> .....	<b>8</b>
<b>Device Operation</b> .....	<b>4</b>	<b>AC Switching Characteristics – SRAM Read Cycle</b> .....	<b>9</b>
SRAM Read .....	4	<b>Switching Waveforms – SRAM Read Cycle</b> .....	<b>9</b>
SRAM Write .....	4	<b>AC Switching Characteristics – SRAM Write Cycle</b> ....	<b>10</b>
AutoStore+ Operation .....	4	<b>AutoStore or Power Up RECALL</b> .....	<b>11</b>
Hardware RECALL (Power Up) .....	4	<b>Software Controlled STORE/RECALL Cycle</b> .....	<b>12</b>
Software STORE .....	4	<b>Ordering Information</b> .....	<b>13</b>
Software RECALL .....	4	Ordering Code Definitions .....	13
Hardware Protect .....	4	<b>Package Diagram</b> .....	<b>14</b>
Noise Considerations .....	5	<b>Acronyms</b> .....	<b>15</b>
Low Average Active Power .....	5	<b>Document Conventions</b> .....	<b>15</b>
<b>Best Practices</b> .....	<b>5</b>	Units of Measure .....	15
<b>Maximum Ratings</b> .....	<b>7</b>	<b>Document History Page</b> .....	<b>16</b>
<b>Operating Range</b> .....	<b>7</b>	<b>Sales, Solutions and Legal Information</b> .....	<b>17</b>
<b>DC Electrical Characteristics</b> .....	<b>7</b>	Worldwide Sales and Design Support .....	17
<b>Data Retention and Endurance</b> .....	<b>8</b>	Products .....	17
<b>Capacitance</b> .....	<b>8</b>	PSoC Solutions .....	17
<b>Thermal Resistance</b> .....	<b>8</b>		

Not recommended for new designs.  
 In production to support ongoing production programs

## Pin Configurations

**Figure 1. 28-pin PDIP pinout**


## Pin Definitions

Pin Name	Alt	I/O Type	Description
A <sub>0</sub> –A <sub>14</sub>		Input	<b>Address Inputs.</b> Used to select one of the 32,768 bytes of the nvSRAM.
DQ <sub>0</sub> –DQ <sub>7</sub>		Input or Output	<b>Bidirectional Data I/O lines.</b> Used as input or output lines depending on operation.
$\overline{WE}$	$\overline{W}$	Input	<b>Write Enable Input, Active LOW.</b> When the chip is enabled and $\overline{WE}$ is LOW, data on the I/O pins is written to the specific address location.
$\overline{CE}$	$\overline{E}$	Input	<b>Chip Enable Input, Active LOW.</b> When LOW, selects the chip. When HIGH, deselects the chip.
$\overline{OE}$	$\overline{G}$	Input	<b>Output Enable, Active LOW.</b> The active LOW $\overline{OE}$ input enables the data output buffers during read cycles. Deasserting $\overline{OE}$ HIGH causes the I/O pins to tristate.
V <sub>SS</sub>		Ground	<b>Ground for the Device.</b> The device is connected to ground of the system.
V <sub>CC</sub>		Power Supply	<b>Power Supply Inputs to the Device.</b>

## Device Operation

The AutoStore+ STK16C88 is a fast 32K x 8 SRAM that does not lose its data on power down. The data is preserved in integral QuantumTrap nonvolatile storage elements when power is lost. Automatic STORE on power down and automatic RECALL on power up guarantee data integrity without the use of batteries.

### SRAM Read

The STK16C88 performs a READ cycle whenever  $\overline{CE}$  and  $\overline{OE}$  are LOW while WE is HIGH. The address specified on pins A<sub>0-14</sub> determines the 32,768 data bytes accessed. When the READ is initiated by an address transition, the outputs are valid after a delay of t<sub>AA</sub> (READ cycle 1). If the READ is initiated by CE or OE, the outputs are valid at t<sub>ACE</sub> or at t<sub>DOE</sub>, whichever is later (READ cycle 2). The data outputs repeatedly respond to address changes within the t<sub>AA</sub> access time without the need for transitions on any control input pins, and remains valid until another address change or until  $\overline{CE}$  or  $\overline{OE}$  is brought HIGH.

### SRAM Write

A WRITE cycle is performed whenever  $\overline{CE}$  and  $\overline{WE}$  are LOW. The address inputs must be stable prior to entering the WRITE cycle and must remain stable until either  $\overline{CE}$  or WE goes HIGH at the end of the cycle. The data on the common I/O pins DQ<sub>0-7</sub> are written into the memory if it has valid t<sub>SD</sub>, before the end of a WE controlled WRITE or before the end of an  $\overline{CE}$  controlled WRITE. Keep  $\overline{OE}$  HIGH during the entire WRITE cycle to avoid data bus contention on common I/O lines. If  $\overline{OE}$  is left LOW, internal circuitry turns off the output buffers t<sub>HZWE</sub> after WE goes LOW.

### AutoStore+ Operation

The STK16C88's automatic STORE on power down is completely transparent to the system. The STORE initiation takes less than 500 ns when power is lost ( $V_{CC} = V_{SWITCH}$ ) at which point the part depends only on its internal capacitor for STORE completion.

If the power supply drops faster than 20  $\mu$ s/volt before V<sub>cc</sub> reaches V<sub>switch</sub>, then a 2.2 ohm resistor should be inserted between V<sub>cc</sub> and the system supply to avoid a momentary excess of current between V<sub>cc</sub> and internal capacitor.

In order to prevent unneeded STORE operations, automatic STOREs are ignored unless at least one WRITE operation has taken place since the most recent STORE or RECALL cycle. Software initiated STORE cycles are performed regardless of whether or not a WRITE operation has taken place.

### Hardware RECALL (Power Up)

During power up or after any low power condition ( $V_{CC} < V_{RESET}$ ), an internal RECALL request is latched. When V<sub>CC</sub> once again exceeds the sense voltage of V<sub>SWITCH</sub>, a RECALL cycle is automatically initiated and takes t<sub>HRECALL</sub> to complete.

If the STK16C88 is in a WRITE state at the end of power up RECALL, the SRAM data is corrupted. To help avoid this situation, a 10 Kohm resistor is connected either between WE and system V<sub>CC</sub> or between  $\overline{CE}$  and system V<sub>CC</sub>.

### Software STORE

Data is transferred from the SRAM to the nonvolatile memory by a software address sequence. The STK16C88 software STORE cycle is initiated by executing sequential  $\overline{CE}$  controlled READ cycles from six specific address locations in exact order. During the STORE cycle, an erase of the previous nonvolatile data is first performed followed by a program of the nonvolatile elements. When a STORE cycle is initiated, input and output are disabled until the cycle is completed.

Because a sequence of READs from specific addresses is used for STORE initiation, it is important that no other READ or WRITE accesses intervene in the sequence. If they intervene, the sequence is aborted and no STORE or RECALL takes place.

To initiate the software STORE cycle, the following READ sequence is performed:

1. Read address 0x0E38, Valid READ
2. Read address 0x31C7, Valid READ
3. Read address 0x03E0, Valid READ
4. Read address 0x3C1F, Valid READ
5. Read address 0x303F, Valid READ
6. Read address 0x0FC0, Initiate STORE cycle

The software sequence is clocked with  $\overline{CE}$  controlled READs. When the sixth address in the sequence is entered, the STORE cycle commences and the chip is disabled. It is important that READ cycles and not WRITE cycles are used in the sequence. It is not necessary that  $\overline{OE}$  is LOW for a valid sequence. After the STORE cycle time is fulfilled, the SRAM is again activated for READ and WRITE operation.

### Software RECALL

Data is transferred from the nonvolatile memory to the SRAM by a software address sequence. A software RECALL cycle is initiated with a sequence of READ operations in a manner similar to the software STORE initiation. To initiate the RECALL cycle, the following sequence of  $\overline{CE}$  controlled READ operations is performed:

1. Read address 0x0E38, Valid READ
2. Read address 0x31C7, Valid READ
3. Read address 0x03E0, Valid READ
4. Read address 0x3C1F, Valid READ
5. Read address 0x303F, Valid READ
6. Read address 0x0C63, Initiate RECALL cycle

Internally, RECALL is a two step procedure. First, the SRAM data is cleared, and then the nonvolatile information is transferred into the SRAM cells. After the t<sub>RECALL</sub> cycle time, the SRAM is once again ready for READ and WRITE operations. The RECALL operation does not alter the data in the nonvolatile elements. The nonvolatile data can be recalled an unlimited number of times.

### Hardware Protect

The STK16C88 offers hardware protection against inadvertent STORE operation and SRAM WRITES during low voltage conditions. When V<sub>CAP</sub> < V<sub>SWITCH</sub>, all externally initiated STORE operations and SRAM WRITES are inhibited.

### Noise Considerations

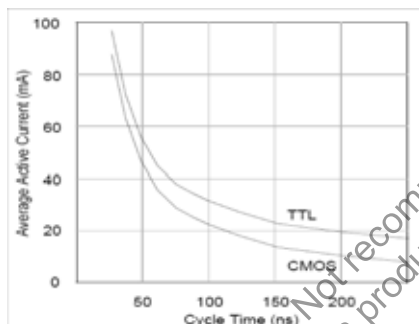
The STK16C88 is a high speed memory. It must have a high frequency bypass capacitor of approximately 0.1  $\mu\text{F}$  connected between  $V_{CC}$  and  $V_{SS}$ , using leads and traces that are as short as possible. As with all high speed CMOS ICs, careful routing of power, ground, and signals reduce circuit noise.

### Low Average Active Power

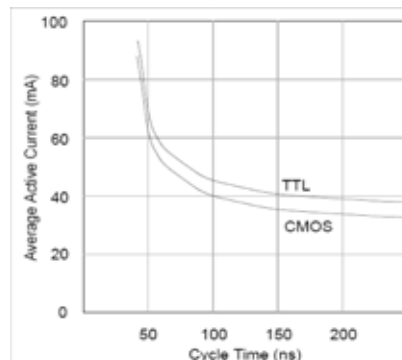
CMOS technology provides the STK16C88 the benefit of drawing significantly less current when it is cycled at times longer than 50 ns. [Figure 2](#) and [Figure 3](#) shows the relationship between  $I_{CC}$  and READ or WRITE cycle time. Worst case current consumption is shown for both CMOS and TTL input levels (commercial temperature range,  $V_{CC} = 5.5\text{V}$ , 100% duty cycle on chip enable). Only standby current is drawn when the chip is disabled. The overall average current drawn by the STK16C88 depends on the following items:

1. The duty cycle of chip enable
2. The overall cycle rate for accesses
3. The ratio of READs to WRITEs
4. CMOS versus TTL input levels
5. The operating temperature
6. The  $V_{CC}$  level
7. I/O loading

**Figure 2. Current Versus Cycle Time (READ)**



**Figure 3. Current Versus Cycle Time (WRITE)**



### Best Practices

nvSRAM products have been used effectively for over 15 years. While ease-of-use is one of the product's main system values, experience gained working with hundreds of applications has resulted in the following suggestions as best practices:

- The nonvolatile cells in an nvSRAM are programmed on the test floor during final test and quality assurance. Incoming inspection routines at customer or contract manufacturer's sites, sometimes, reprogram these values. Final NV patterns are typically repeating patterns of AA, 55, 00, FF, A5, or 5A. End product's firmware should not assume an NV array is in a set programmed state. Routines that check memory content values to determine first time system configuration and cold or warm boot status should always program a unique NV pattern (for example, complex 4-byte pattern of 46 E6 49 53 hex or more random bytes) as part of the final system manufacturing test to ensure these system routines work consistently.
- Power up boot firmware routines should rewrite the nvSRAM into the desired state. While the nvSRAM is shipped in a preset state, best practice is to again rewrite the nvSRAM into the desired state as a safeguard against events that might flip the bit inadvertently (program bugs or incoming inspection routines).

**Table 1. Software STORE/RECALL Mode Selection**

$\overline{CE}$	$\overline{WE}$	A <sub>13</sub> -A <sub>0</sub>	Mode	I/O	Notes
L	H	0x0E38 0x31C7 0x03E0 0x3C1F 0x303F 0x0FC0	Read SRAM Read SRAM Read SRAM Read SRAM Read SRAM Nonvolatile STORE	Output Data Output Data Output Data Output Data Output Data Output Data	[1, 2]
L	H	0x0E38 0x31C7 0x03E0 0x3C1F 0x303F 0x0C63	Read SRAM Read SRAM Read SRAM Read SRAM Read SRAM Nonvolatile RECALL	Output Data Output Data Output Data Output Data Output Data Output Data	[1, 2]

Not recommended for new designs.  
 In production to support ongoing production programs.

**Notes**

1. The six consecutive addresses must be in the order listed.  $\overline{WE}$  must be high during all six consecutive  $\overline{CE}$  controlled cycles to enable a nonvolatile cycle.
2. While there are 15 addresses on the STK16C88, only the lower 14 are used to control software modes.

## Maximum Ratings

Exceeding maximum ratings may shorten the useful life of the device. These user guidelines are not tested.

Storage Temperature ..... -65 °C to +150 °C  
 Temperature under bias ..... -55 °C to +125 °C  
 Supply Voltage on  $V_{CC}$  Relative to GND ..... -0.5 V to 7.0 V  
 Voltage on Input Relative to  $V_{SS}$  ..... -0.6 V to  $V_{CC} + 0.5$  V  
 Voltage on  $DQ_{0-7}$  ..... -0.5 V to  $V_{CC} + 0.5$  V

Power Dissipation ..... 1.0 W

DC output Current  
 (1 output at a time, 1s duration) ..... 15 mA

## Operating Range

Range	Ambient Temperature	$V_{CC}$
Commercial	0 °C to +70 °C	4.5 V to 5.5 V
Industrial	-40 °C to +85 °C	4.5 V to 5.5 V

## DC Electrical Characteristics

Over the operating range ( $V_{CC} = 4.5$  V to 5.5 V)

Parameter	Description	Test Conditions	Min	Max	Unit	
$I_{CC1}$	Average $V_{CC}$ Current	$t_{RC} = 25$ ns $t_{RC} = 45$ ns Dependent on output loading and cycle rate. Values obtained without output loads. $I_{OUT} = 0$ mA.	Commercial	-	97 70	mA mA
		Industrial	-	100 70	mA mA	
$I_{CC2}$	Average $V_{CC}$ Current during STORE	All Inputs Do Not Care, $V_{CC} = \text{Max}$ Average current for duration $t_{STORE}$	-	3	mA	
$I_{CC3}$	Average $V_{CC}$ Current at $t_{RC} = 200$ ns, 5V, 25°C Typical	$\overline{WE} \geq (V_{CC} - 0.2$ V). All other inputs cycling. Dependent on output loading and cycle rate. Values obtained without output loads.	-	10	mA	
$I_{SB1}^{[3]}$	Average $V_{CC}$ Current (Standby, Cycling TTL Input Levels)	$t_{RC} = 25$ ns, $\overline{CE} \geq V_{IH}$ $t_{RC} = 45$ ns, $\overline{CE} \geq V_{IH}$	Commercial	-	30 22	mA
		Industrial	-	31 23	mA	
$I_{SB2}^{[3]}$	$V_{CC}$ Standby Current (Standby, Stable CMOS Input Levels)	$\overline{CE} \geq (V_{CC} - 0.2$ V). All others $V_{IN} \leq 0.2$ V or $\geq (V_{CC} - 0.2$ V).	-	1.5	mA	
$I_{IX}$	Input Leakage Current	$V_{CC} = \text{Max}$ , $V_{SS} \leq V_{IN} \leq V_{CC}$	-1	+1	$\mu$ A	
$I_{OZ}$	Off State Output Leakage Current	$V_{CC} = \text{Max}$ , $V_{SS} \leq V_{IN} \leq V_{CC}$ , $\overline{CE}$ or $\overline{OE} \geq V_{IH}$ or $\overline{WE} \leq V_{IL}$	-5	+5	$\mu$ A	
$V_{IH}$	Input HIGH Voltage		2.2	$V_{CC} + 0.5$	V	
$V_{IL}$	Input LOW Voltage		$V_{SS} - 0.5$	0.8	V	
$V_{OH}$	Output HIGH Voltage	$I_{OUT} = -4$ mA	2.4	-	V	
$V_{OL}$	Output LOW Voltage	$I_{OUT} = 8$ mA	-	0.4	V	

### Note

3.  $\overline{CE} \geq V_{IH}$  does not produce standby current levels until any nonvolatile cycle in progress has timed out.

## Data Retention and Endurance

Parameter	Description	Min	Unit
DATA <sub>R</sub>	Data Retention	100	Years
NV <sub>C</sub>	Nonvolatile STORE Operations	1,000	K

## Capacitance

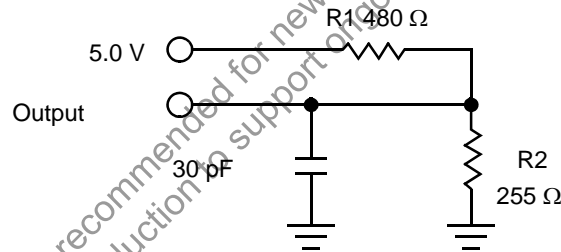
Parameter <sup>[4]</sup>	Description	Test Conditions	Max	Unit
C <sub>IN</sub>	Input capacitance	T <sub>A</sub> = 25 °C, f = 1 MHz, V <sub>CC</sub> = 0 to 3.0 V	5	pF
C <sub>OUT</sub>	Output capacitance		7	pF

## Thermal Resistance

Parameter <sup>[4]</sup>	Description	Test Conditions	28-pin PDIP	Unit
Θ <sub>JA</sub>	Thermal resistance (junction to ambient)	Test conditions follow standard test methods and procedures for measuring thermal impedance, per EIA/JESD51.	TBD	°C/W
Θ <sub>JC</sub>	Thermal resistance (junction to case)		TBD	°C/W

## AC Test Loads

Figure 4. AC Test Loads



## AC Test Conditions

Input Pulse Levels ..... 0 V to 3 V  
 Input Rise and Fall Times (10%–90%) ..... ≤5 ns  
 Input and Output Timing Reference Levels ..... 1.5 V

**Note**

4. These parameters are guaranteed by design and are not tested.



## AC Switching Characteristics – SRAM Read Cycle

Over the operating range

Parameters		Description	25 ns		45 ns		Unit
Cypress Parameter	Alt Parameter		Min	Max	Min	Max	
$t_{ACE}$	$t_{ELQV}$	Chip Enable Access Time	–	25	–	45	ns
$t_{RC}^{[6]}$	$t_{AVAV}, t_{ELEH}$	Read Cycle Time	25	–	45	–	ns
$t_{AA}^{[7]}$	$t_{AVQV}$	Address Access Time	–	25	–	45	ns
$t_{DOE}$	$t_{GLQV}$	Output Enable to Data Valid	–	10	–	20	ns
$t_{OHA}^{[7]}$	$t_{AXQX}$	Output Hold After Address Change	5	–	5	–	ns
$t_{LZCE}^{[8]}$	$t_{ELQX}$	Chip Enable to Output Active	5	–	5	–	ns
$t_{HZCE}^{[8]}$	$t_{EHQZ}$	Chip Disable to Output Inactive	–	10	–	15	ns
$t_{LZOE}^{[8]}$	$t_{GLQX}$	Output Enable to Output Active	0	–	0	–	ns
$t_{HZOE}^{[8]}$	$t_{GHQZ}$	Output Disable to Output Inactive	–	10	–	15	ns
$t_{PU}^{[5]}$	$t_{ELICCH}$	Chip Enable to Power Active	0	–	0	–	ns
$t_{PD}^{[5]}$	$t_{EHICCL}$	Chip Disable to Power Standby	–	25	–	45	ns

## Switching Waveforms – SRAM Read Cycle

Figure 5. SRAM Read Cycle 1: Address Controlled <sup>[6, 7]</sup>

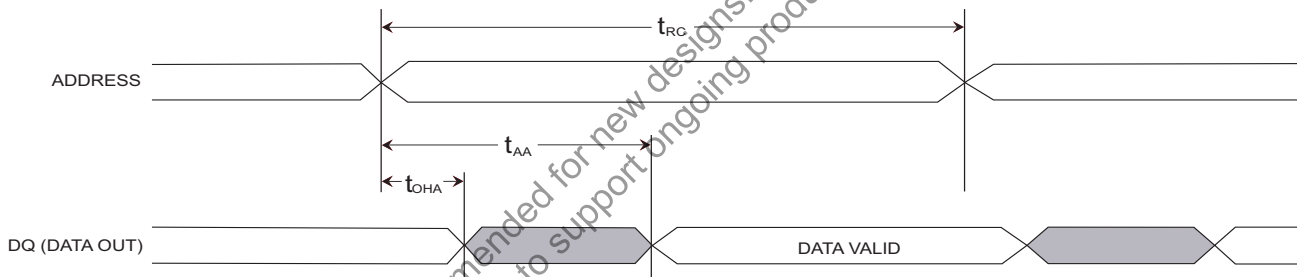
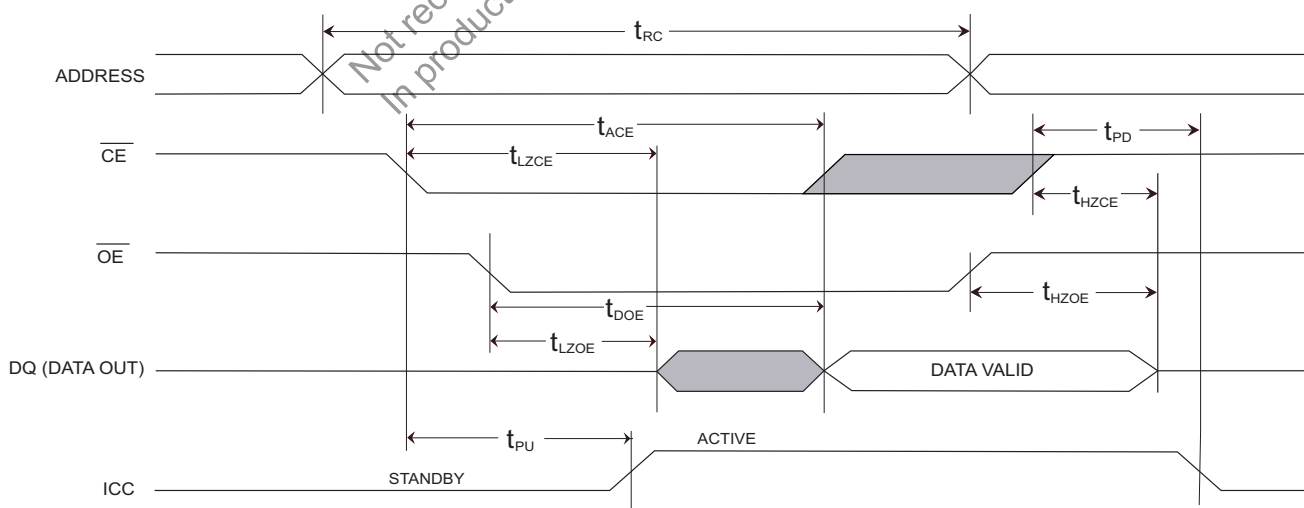


Figure 6. SRAM Read Cycle 2: CE and OE Controlled <sup>[6]</sup>



### Notes

5. These parameters are guaranteed by design and are not tested.
6. WE must be HIGH during SRAM Read Cycles and LOW during SRAM WRITE cycles.
7. I/O state assumes  $\overline{CE}$  and  $\overline{OE} \leq V_{IL}$  and  $WE \geq V_{IH}$ ; device is continuously selected.
8. Measured  $\pm 200$  mV from steady state output voltage.

## AC Switching Characteristics – SRAM Write Cycle

Over the operating range

Parameters		Description	25 ns		45 ns		Unit
Cypress Parameter	Alt Parameter		Min	Max	Min	Max	
$t_{WC}$	$t_{AVAV}$	Write Cycle Time	25	–	45	–	ns
$t_{PWE}$	$t_{WLWH}$ , $t_{WLEH}$	Write Pulse Width	20	–	30	–	ns
$t_{SCE}$	$t_{ELWH}$ , $t_{ELEH}$	Chip Enable To End of Write	20	–	30	–	ns
$t_{SD}$	$t_{DVWH}$ , $t_{DVEH}$	Data Setup to End of Write	10	–	15	–	ns
$t_{HD}$	$t_{WHDX}$ , $t_{EHDX}$	Data Hold After End of Write	0	–	0	–	ns
$t_{AW}$	$t_{AVWH}$ , $t_{AVEH}$	Address Setup to End of Write	20	–	30	–	ns
$t_{SA}$	$t_{AVWL}$ , $t_{AVEL}$	Address Setup to Start of Write	0	–	0	–	ns
$t_{HA}$	$t_{WHAX}$ , $t_{EHAX}$	Address Hold After End of Write	0	–	0	–	ns
$t_{HZWE}^{[8,9]}$	$t_{WLQZ}$	Write Enable to Output Disable	–	10	–	15	ns
$t_{LZWE}^{[8]}$	$t_{WHQX}$	Output Active After End of Write	5	–	5	–	ns

## Switching Waveforms – SRAM Write Cycle

Figure 7. SRAM Write Cycle 1:  $\overline{WE}$  Controlled <sup>[10]</sup>

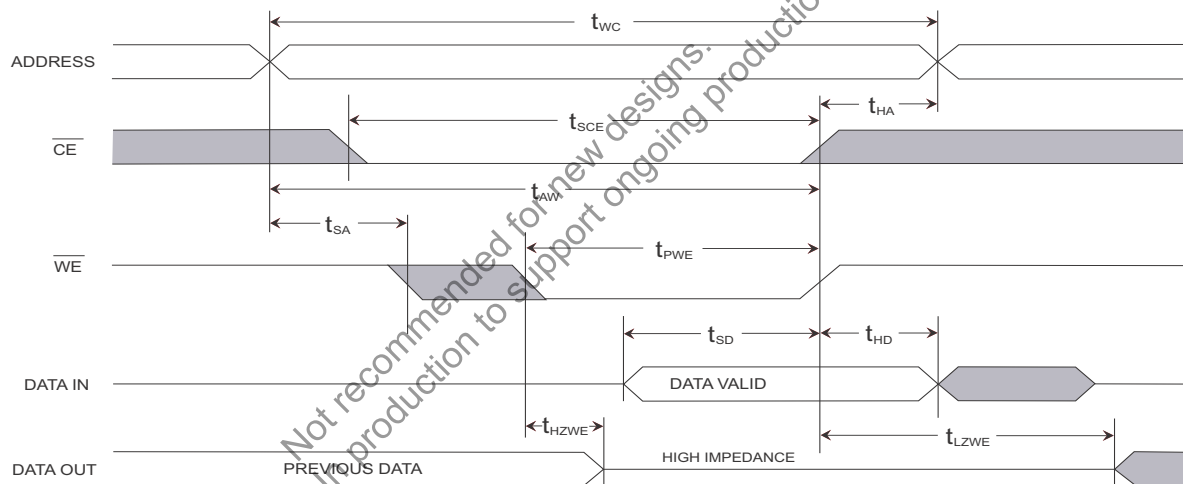
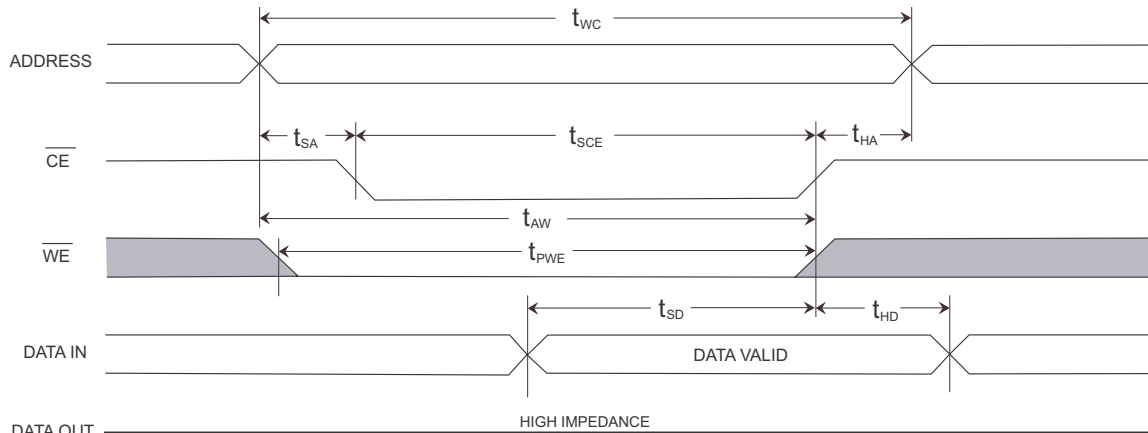


Figure 8. SRAM Write Cycle 2: CE Controlled <sup>[10]</sup>



### Notes

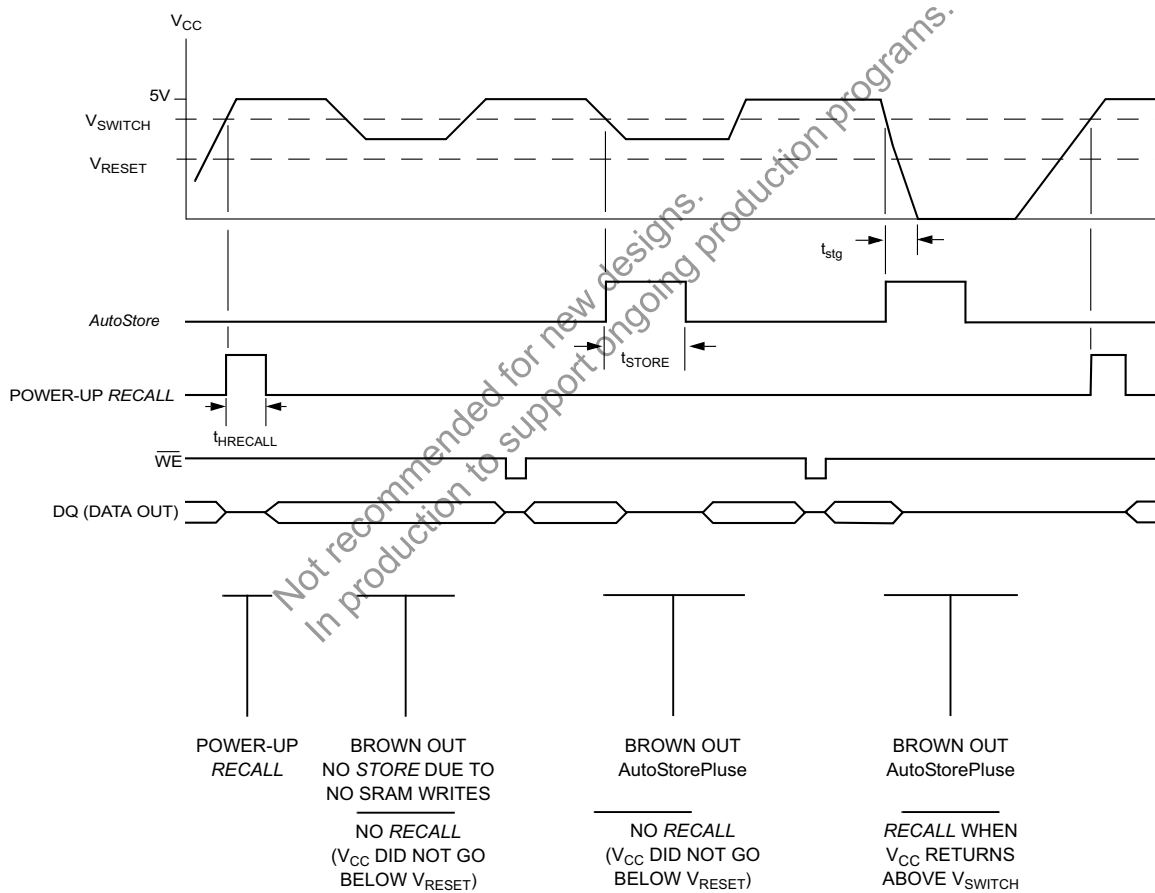
9. If  $\overline{WE}$  is Low when  $\overline{CE}$  goes Low, the outputs remain in the high impedance state.
10.  $\overline{CE}$  or  $\overline{WE}$  must be greater than  $V_{IH}$  during address transitions.

### AutoStore or Power Up RECALL

Parameters		Description	STK16C88		Unit
Cypress Parameter	Alt Parameter		Min	Max	
$t_{HRECALL}^{[11]}$	$t_{RESTORE}$	Power up RECALL Duration	–	550	$\mu s$
$t_{STORE}$	$t_{HLHZ}$	STORE Cycle Duration	–	10	ms
$t_{stg}^{[4, 7]}$		Power-down AutoStore Slew Time to Ground	500	–	ns
$V_{RESET}$		Low Voltage Reset Level	–	3.6	V
$V_{SWITCH}$		Low Voltage Trigger Level	4.0	4.5	V

### Switching Waveforms – AutoStore or Power Up RECALL

Figure 9. AutoStore/Power Up RECALL



**Note**

11.  $t_{HRECALL}$  starts from the time V<sub>CC</sub> rises above V<sub>SWITCH</sub>.

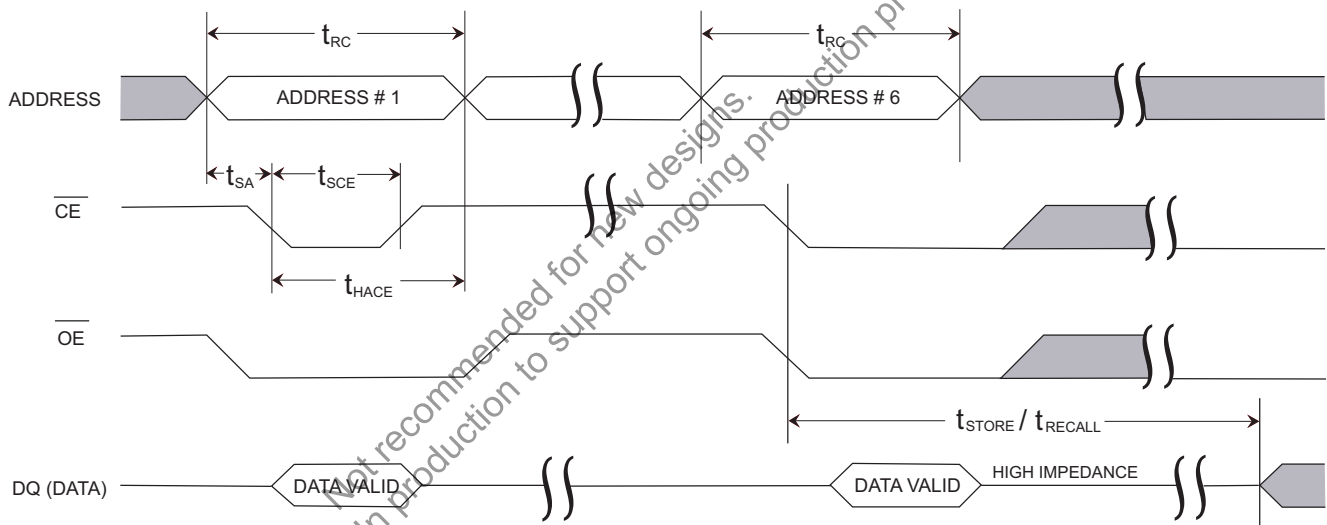
### Software Controlled STORE/RECALL Cycle

The software controlled STORE/RECALL cycle follows.

Parameters <sup>[12, 13]</sup>		Description	25 ns		45 ns		Unit
Cypress Parameter	Alt Parameter		Min	Max	Min	Max	
$t_{RC}$	$t_{AVAV}$	STORE/RECALL Initiation Cycle Time	25	–	45	–	ns
$t_{SA}^{[12]}$	$t_{AVEL}$	Address Setup Time	0	–	0	–	ns
$t_{CW}^{[12]}$	$t_{ELEH}$	Clock Pulse Width	20	–	30	–	ns
$t_{HACE}^{[8, 12]}$	$t_{ELAX}$	Address Hold Time	20	–	20	–	ns
$t_{RECALL}$		RECALL Duration	–	20	–	20	$\mu$ s

### Switching Waveforms – Software Controlled STORE/RECALL Cycle

Figure 10.  $\overline{CE}$  Controlled Software STORE/RECALL Cycle <sup>[13]</sup>



**Notes**

- 12. The software sequence is clocked on the falling edge of  $\overline{CE}$  without involving  $\overline{OE}$  (double clocking aborts the sequence).
- 13. The six consecutive addresses must be read in the order listed in the Mode Selection table.  $\overline{WE}$  must be HIGH during all six consecutive cycles.

**Ordering Information**

These parts are not recommended for new designs. They are in production to support ongoing production programs only.

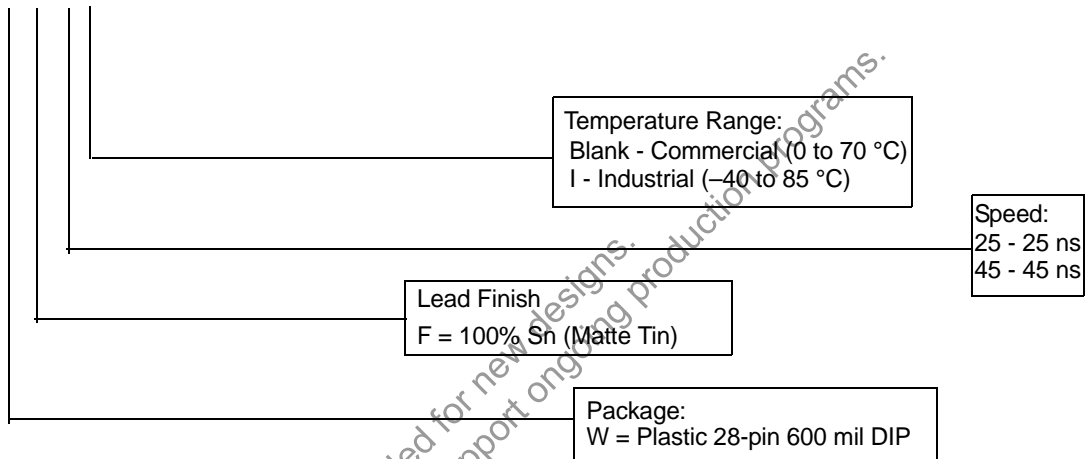
Speed (ns)	Ordering Code	Package Diagram	Package Type	Operating Range
25	STK16C88-WF25I	51-85017	28-pin PDIP	Industrial
45	STK16C88-WF45	51-85017	28-pin PDIP	Commercial

All parts are Pb-free. The above table contains Final information. Please contact your local Cypress sales representative for availability of these parts

**Ordering Code Definitions**

**Part Numbering Nomenclature (Commercial and Industrial)**

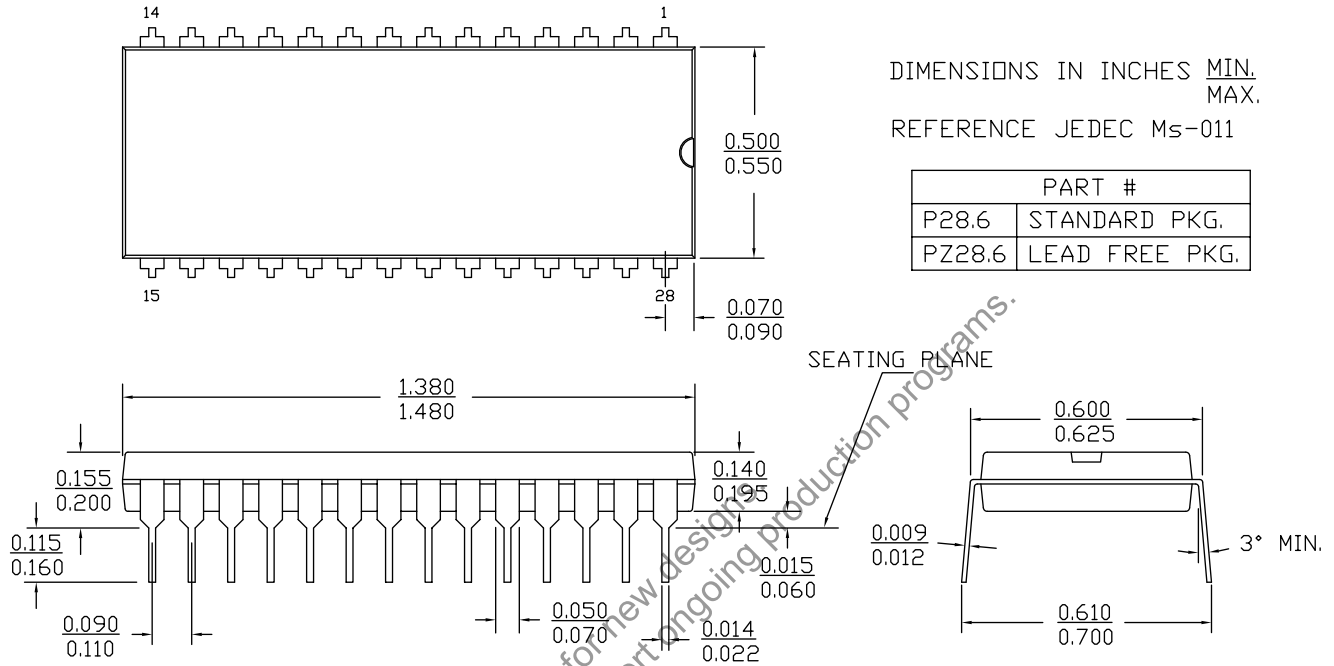
**STK16C88 - W F 45 I**



Not recommended for new designs.  
In production to support ongoing production programs.

Package Diagram

Figure 11. 28-pin PDIP (1.480 x 0.550 x 0.195 inches) P28.6/PZ28.6 Package Outline, 51-85017



Not recommended for new design or ongoing production programs.  
 In production to support ongoing production programs.

**Acronyms**

Acronym	Description
CE	chip enable
CMOS	complementary metal oxide semiconductor
EIA	electronic industries alliance
I/O	input/output
nvSRAM	non-volatile static random access memory
OE	output enable
PDIP	plastic dual in-line package
SRAM	static random access memory
TTL	transistor-transistor logic
WE	write enable

**Document Conventions**

**Units of Measure**

Symbol	Unit of Measure
°C	degree Celsius
MHz	megahertz
μA	microampere
μs	microsecond
mA	milliampere
ms	millisecond
ns	nanosecond
Ω	ohm
%	percent
pF	picofarad
V	volt
W	watt

Not recommended for new designs.  
 In production to support ongoing production programs.

Document History Page

Document Title: STK16C88, 256-Kbit (32 K x 8) AutoStore+ nvSRAM Document Number: 001-50595				
Rev.	ECN No.	Orig. of Change	Submission Date	Description of Change
**	2625096	GVCH / PYRS	12/19/08	New data sheet.
*A	2826441	GVCH	12/11/2009	Added <a href="#">Contents</a> . Updated <a href="#">Ordering Information</a> (No change in part numbers, only added following text below the heading "These parts are not recommended for new designs. They are in production to support ongoing production programs only.") Added watermark in PDF stating "Not recommended for new designs. In production to support ongoing production programs only."
*B	3052511	GVCH	10/08/10	Updated <a href="#">Ordering Information</a> (Removed the following inactive parts: STK16C88-WF25, STK16C88-WF45I). Updated <a href="#">Package Diagram</a> .
*C	3536182	GVCH	02/27/2012	Updated <a href="#">Package Diagram</a> . Added <a href="#">Acronyms</a> and <a href="#">Units of Measure</a> . Updated in new template.

Not recommended for new designs.  
In production to support ongoing production programs.



## Sales, Solutions and Legal Information

### Worldwide Sales and Design Support

Cypress maintains a worldwide network of offices, solution centers, manufacturer's representatives, and distributors. To find the office closest to you, visit us at [cypress.com/sales](http://cypress.com/sales).

### Products

Automotive	<a href="http://cypress.com/go/automotive">cypress.com/go/automotive</a>
Clocks & Buffers	<a href="http://cypress.com/go/clocks">cypress.com/go/clocks</a>
Interface	<a href="http://cypress.com/go/interface">cypress.com/go/interface</a>
Lighting & Power Control	<a href="http://cypress.com/go/powerpsoc">cypress.com/go/powerpsoc</a> <a href="http://cypress.com/go/plc">cypress.com/go/plc</a>
Memory	<a href="http://cypress.com/go/memory">cypress.com/go/memory</a>
Optical & Image Sensing	<a href="http://cypress.com/go/image">cypress.com/go/image</a>
PSoC	<a href="http://cypress.com/go/psoc">cypress.com/go/psoc</a>
Touch Sensing	<a href="http://cypress.com/go/touch">cypress.com/go/touch</a>
USB Controllers	<a href="http://cypress.com/go/USB">cypress.com/go/USB</a>
Wireless/RF	<a href="http://cypress.com/go/wireless">cypress.com/go/wireless</a>

### PSoC Solutions

[psoc.cypress.com/solutions](http://psoc.cypress.com/solutions)  
PSoC 1 | PSoC 3 | PSoC 5

Not recommended for new designs.  
In production to support ongoing production programs.

© Cypress Semiconductor Corporation, 2008-2012. The information contained herein is subject to change without notice. Cypress Semiconductor Corporation assumes no responsibility for the use of any circuitry other than circuitry embodied in a Cypress product. Nor does it convey or imply any license under patent or other rights. Cypress products are not warranted nor intended to be used for medical, life support, life saving, critical control or safety applications, unless pursuant to an express written agreement with Cypress. Furthermore, Cypress does not authorize its products for use as critical components in life-support systems where a malfunction or failure may reasonably be expected to result in significant injury to the user. The inclusion of Cypress products in life-support systems application implies that the manufacturer assumes all risk of such use and in doing so indemnifies Cypress against all charges.

Any Source Code (software and/or firmware) is owned by Cypress Semiconductor Corporation (Cypress) and is protected by and subject to worldwide patent protection (United States and foreign), United States copyright laws and international treaty provisions. Cypress hereby grants to licensee a personal, non-exclusive, non-transferable license to copy, use, modify, create derivative works of, and compile the Cypress Source Code and derivative works for the sole purpose of creating custom software and or firmware in support of licensee product to be used only in conjunction with a Cypress integrated circuit as specified in the applicable agreement. Any reproduction, modification, translation, compilation, or representation of this Source Code except as specified above is prohibited without the express written permission of Cypress.

Disclaimer: CYPRESS MAKES NO WARRANTY OF ANY KIND, EXPRESS OR IMPLIED, WITH REGARD TO THIS MATERIAL, INCLUDING, BUT NOT LIMITED TO, THE IMPLIED WARRANTIES OF MERCHANTABILITY AND FITNESS FOR A PARTICULAR PURPOSE. Cypress reserves the right to make changes without further notice to the materials described herein. Cypress does not assume any liability arising out of the application or use of any product or circuit described herein. Cypress does not authorize its products for use as critical components in life-support systems where a malfunction or failure may reasonably be expected to result in significant injury to the user. The inclusion of Cypress' product in a life-support systems application implies that the manufacturer assumes all risk of such use and in doing so indemnifies Cypress against all charges.

Use may be limited by and subject to the applicable Cypress software license agreement.

# Mouser Electronics

Authorized Distributor

Click to View Pricing, Inventory, Delivery & Lifecycle Information:

[Cypress Semiconductor:](#)

[STK16C88-WF25I](#) [STK16C88-WF45](#) [STK16C88-WF25](#) [STK16C88-WF45I](#)