



## Contents

<b>Selection Guide</b> .....	<b>3</b>	<b>Package Diagrams</b> .....	<b>13</b>
<b>Pin Configurations</b> .....	<b>3</b>	<b>Acronyms</b> .....	<b>15</b>
<b>Pin Definitions</b> .....	<b>4</b>	<b>Document Conventions</b> .....	<b>15</b>
<b>Maximum Ratings</b> .....	<b>5</b>	Units of Measure .....	15
<b>Operating Range</b> .....	<b>5</b>	<b>Document History Page</b> .....	<b>16</b>
<b>Electrical Characteristics</b> .....	<b>5</b>	<b>Sales, Solutions, and Legal Information</b> .....	<b>17</b>
<b>Capacitance</b> .....	<b>6</b>	Worldwide Sales and Design Support .....	17
<b>Thermal Resistance</b> .....	<b>6</b>	Products .....	17
<b>AC Test Loads and Waveforms</b> .....	<b>6</b>	PSoC® Solutions .....	17
<b>Switching Characteristics</b> .....	<b>7</b>	Cypress Developer Community .....	17
<b>Switching Waveforms</b> .....	<b>8</b>	Technical Support .....	17
<b>Truth Table</b> .....	<b>11</b>		
<b>Ordering Information</b> .....	<b>12</b>		
Ordering Code Definitions .....	12		

### Selection Guide

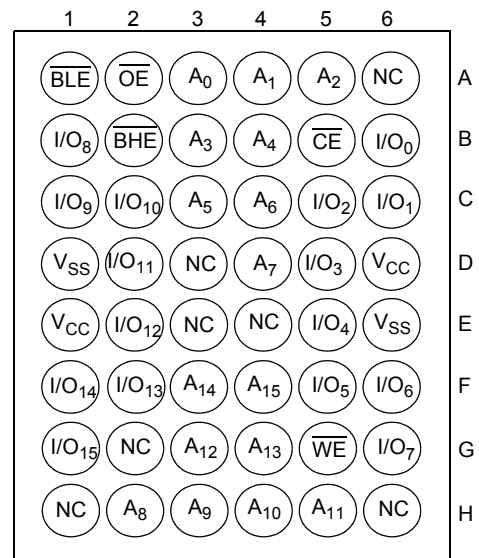
Description <sup>[1]</sup>	-15	Unit
Maximum Access Time	15	ns
Maximum Operating Current	80	mA
Maximum CMOS Standby Current	10	mA

### Pin Configurations

Figure 1. 44-pin SOJ/TSOP II pinout <sup>[2]</sup>

A <sub>4</sub>	1	44	A <sub>5</sub>
A <sub>3</sub>	2	43	A <sub>6</sub>
A <sub>2</sub>	3	42	A <sub>7</sub>
A <sub>1</sub>	4	41	OE
A <sub>0</sub>	5	40	BHE
CE	6	39	BLE
I/O <sub>0</sub>	7	38	I/O <sub>15</sub>
I/O <sub>1</sub>	8	37	I/O <sub>14</sub>
I/O <sub>2</sub>	9	36	I/O <sub>13</sub>
I/O <sub>3</sub>	10	35	I/O <sub>12</sub>
V <sub>CC</sub>	11	34	V <sub>SS</sub>
V <sub>SS</sub>	12	33	V <sub>CC</sub>
I/O <sub>4</sub>	13	32	I/O <sub>11</sub>
I/O <sub>5</sub>	14	31	I/O <sub>10</sub>
I/O <sub>6</sub>	15	30	I/O <sub>9</sub>
I/O <sub>7</sub>	16	29	I/O <sub>8</sub>
WE	17	28	NC
A <sub>15</sub>	18	27	A <sub>8</sub>
A <sub>14</sub>	19	26	A <sub>9</sub>
A <sub>13</sub>	20	25	A <sub>10</sub>
A <sub>12</sub>	21	24	A <sub>11</sub>
NC	22	23	NC

Figure 2. 48-ball FBGA pinout <sup>[2]</sup>



**Notes**

1. Typical values are included for reference only and are not guaranteed or tested. Typical values are measured at V<sub>CC</sub> = V<sub>CC(typ.)</sub>, T<sub>A</sub> = 25 °C.
2. NC pins are not connected on the die.

## Pin Definitions

Pin Name	Pin Number	I/O Type	Description
A <sub>0</sub> -A <sub>15</sub>	1-5, 18-21, 24-27, 42-44	Input	<b>Address Inputs used to select one of the address locations.</b>
I/O <sub>0</sub> -I/O <sub>15</sub>	7-10, 13-16, 29-32, 35-38	Input/Output	<b>Bidirectional Data I/O lines.</b> Used as input or output lines depending on operation.
NC	22, 23, 28	No Connect	<b>No Connects.</b> This pin is not connected to the die.
WE	17	Input/Control	<b>Write Enable Input, active LOW.</b> When selected LOW, a Write is conducted. When selected HIGH, a Read is conducted.
CE	6	Input/Control	<b>Chip Enable Input, active LOW.</b> When LOW, selects the chip. When HIGH, deselects the chip.
$\overline{\text{BHE}}$ , $\overline{\text{BLE}}$	40, 39	Input/Control	<b>Byte Write Select Inputs, active LOW.</b> $\overline{\text{BHE}}$ controls I/O <sub>15</sub> -I/O <sub>8</sub> , $\overline{\text{BLE}}$ controls I/O <sub>7</sub> -I/O <sub>0</sub> .
OE	41	Input/Control	<b>Output Enable, active LOW.</b> Controls the direction of the I/O pins. When LOW, the I/O pins are allowed to behave as outputs. When de-asserted HIGH, I/O pins are tri-stated, and act as input data pins.
V <sub>SS</sub>	12, 34	Ground	<b>Ground for the device.</b> Should be connected to ground of the system.
V <sub>CC</sub>	11, 33	Power Supply	<b>Power Supply inputs to the device.</b>

**Maximum Ratings**

Exceeding maximum ratings may shorten the useful life of the device. User guidelines are not tested.

- Storage temperature ..... -65 °C to +150 °C
- Ambient temperature with power applied ..... -55 °C to +125 °C
- Supply voltage on  $V_{CC}$  to relative GND<sup>[3]</sup> ..... -0.5 V to +4.6 V
- DC voltage applied to outputs in high Z state<sup>[3]</sup> ..... -0.5 V to  $V_{CC} + 0.5$  V

- DC input voltage<sup>[3]</sup> ..... -0.5 V to  $V_{CC} + 0.5$  V
- Current into outputs (LOW) ..... 20 mA
- Static discharge voltage (per MIL-STD-883, method 3015) ..... > 2001 V
- Latch-up current ..... > 200 mA

**Operating Range**

Range	Ambient Temperature	$V_{CC}$
Automotive	-40 °C to +125 °C	2.5 V–2.7 V

**Electrical Characteristics**

Over the Operating Range

Parameter	Description	Test Conditions	-15		Unit
			Min	Max	
$V_{OH}$	Output HIGH voltage	$V_{CC} = \text{Min}, I_{OH} = -1.0 \text{ mA}$	2.3	–	V
$V_{OL}$	Output LOW voltage	$V_{CC} = \text{Min}, I_{OL} = 1.0 \text{ mA}$	–	0.4	V
$V_{IH}$	Input HIGH voltage		2.0	$V_{CC} + 0.3$	V
$V_{IL}$	Input LOW voltage <sup>[3]</sup>		-0.3	0.8	V
$I_{IX}$	Input leakage current	$GND \leq V_I \leq V_{CC}$	-3	+3	$\mu\text{A}$
$I_{OZ}$	Output leakage current	$GND \leq V_I \leq V_{CC}$ , output disabled	-3	+3	$\mu\text{A}$
$I_{CC}$	$V_{CC}$ operating supply current	$V_{CC} = \text{Max}, I_{OUT} = 0 \text{ mA}, f = f_{MAX} = 1/t_{RC}$	–	80	mA
$I_{SB1}$	Automatic CE power-down Current – TTL inputs	Max $V_{CC}$ , $\overline{CE} \geq V_{IH}$ , $V_{IN} \geq V_{IH}$ or $V_{IN} \leq V_{IL}$ , $f = f_{MAX}$	–	15	mA
$I_{SB2}$	Automatic CE power-down Current – CMOS inputs	Max $V_{CC}$ , $\overline{CE} \geq V_{CC} - 0.3 \text{ V}$ , $V_{IN} \geq V_{CC} - 0.3 \text{ V}$ , or $V_{IN} \leq 0.3 \text{ V}$ , $f = 0$	–	10	mA

**Note**

3.  $V_{IL}(\text{min.}) = -2.0\text{V}$  and  $V_{IH}(\text{max.}) = V_{CC} + 0.5 \text{ V}$  for pulse durations of less than 20 ns.

### Capacitance

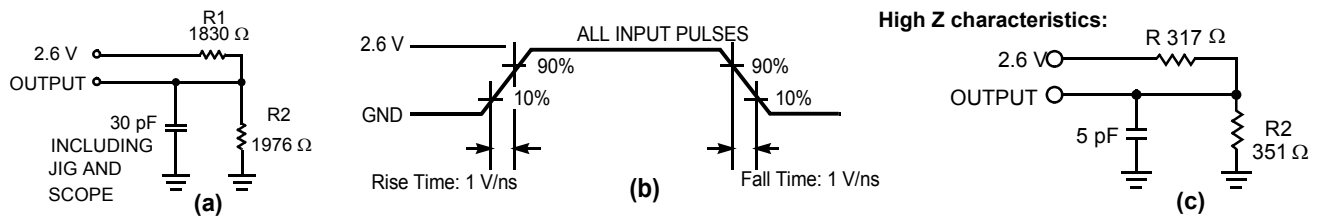
Parameter <sup>[4]</sup>	Description	Test Conditions	Max	Unit
C <sub>IN</sub>	Input capacitance	T <sub>A</sub> = 25 °C, f = 1 MHz, V <sub>CC</sub> = 2.6 V	8	pF
C <sub>OUT</sub>	Output capacitance		8	pF

### Thermal Resistance

Parameter <sup>[4]</sup>	Description	Test Conditions	44-pin TSOP II	Unit
Θ <sub>JA</sub>	Thermal resistance (junction to ambient)	Still Air, soldered on a 3 × 4.5 inch, four-layer printed circuit board	76.92	°C/W
Θ <sub>JC</sub>	Thermal resistance (junction to case)		15.86	°C/W

### AC Test Loads and Waveforms

Figure 3. AC Test Loads and Waveforms <sup>[5]</sup>



**Notes**

- 4. Tested initially and after any design or process changes that may affect these parameters.
- 5. AC characteristics (except high Z) are tested using the Thevenin load shown in Figure 3 (a). High Z characteristics are tested for all speeds using the test load shown in Figure 3 (c).

## Switching Characteristics

Over the Operating Range

Parameter <sup>[6]</sup>	Description	-15		Unit
		Min	Max	
<b>Read Cycle</b>				
$t_{RC}$	Read cycle time	15	–	ns
$t_{AA}$	Address to data valid	–	15	ns
$t_{OHA}$	Data hold from address change	3	–	ns
$t_{ACE}$	$\overline{CE}$ LOW to data valid	–	15	ns
$t_{DOE}$	$\overline{OE}$ LOW to data valid	–	7	ns
$t_{LZOE}$	$\overline{OE}$ LOW to low Z <sup>[7]</sup>	0	–	ns
$t_{HZOE}$	$\overline{OE}$ HIGH to high Z <sup>[7, 8]</sup>	–	7	ns
$t_{LZCE}$	$\overline{CE}$ LOW to low Z <sup>[7]</sup>	3	–	ns
$t_{HZCE}$	$\overline{CE}$ HIGH to high Z <sup>[7, 8]</sup>	–	7	ns
$t_{PU}^{[9]}$	$\overline{CE}$ LOW to power-up	0	–	ns
$t_{PD}^{[9]}$	$\overline{CE}$ HIGH to power-down	–	15	ns
$t_{DBE}$	Byte enable to data valid	–	7	ns
$t_{LZBE}$	Byte enable to low Z	0	–	ns
$t_{HZBE}$	Byte disable to high Z	–	7	ns
<b>Write Cycle <sup>[10, 11]</sup></b>				
$t_{WC}$	Write cycle time	15	–	ns
$t_{SCE}$	$\overline{CE}$ LOW to write end	10	–	ns
$t_{AW}$	Address set-up to write end	10	–	ns
$t_{HA}$	Address hold from write end	0	–	ns
$t_{SA}$	Address set-up to write start	0	–	ns
$t_{PWE}$	$\overline{WE}$ pulse width	10	–	ns
$t_{SD}$	Data set-up to write end	8	–	ns
$t_{HD}$	Data hold from write end	0	–	ns
$t_{LZWE}$	$\overline{WE}$ HIGH to low Z <sup>[7]</sup>	3	–	ns
$t_{HZWE}$	$\overline{WE}$ LOW to high Z <sup>[7, 8]</sup>	–	7	ns
$t_{BW}$	Byte enable to end of write	9	–	ns

### Notes

- Test conditions assume signal transition time of 2.6 ns or less, timing reference levels of 1.3 V, input pulse levels of 0 to 2.6 V.
- At any given temperature and voltage condition,  $t_{HZCE}$  is less than  $t_{LZCE}$ ,  $t_{HZOE}$  is less than  $t_{LZOE}$ , and  $t_{HZWE}$  is less than  $t_{LZWE}$  for any given device.
- $t_{HZOE}$ ,  $t_{HZBE}$ ,  $t_{HZCE}$ , and  $t_{HZWE}$  are specified with a load capacitance of 5 pF as in part (c) of [Figure 3](#). Transition is measured  $\pm 500$  mV from steady-state voltage.
- This parameter is guaranteed by design and is not tested.
- The internal Write time of the memory is defined by the overlap of  $\overline{CE}$  LOW,  $\overline{WE}$  LOW and  $\overline{BHE}/\overline{BLE}$  LOW.  $\overline{CE}$ ,  $\overline{WE}$  and  $\overline{BHE}/\overline{BLE}$  must be LOW to initiate a Write, and the transition of these signals can terminate the Write. The input data set-up and hold timing should be referenced to the leading edge of the signal that terminates the Write.
- The minimum write pulse width for Write Cycle No. 3 ( $\overline{WE}$  Controlled,  $\overline{OE}$  LOW) should be sum of  $t_{SD}$  and  $t_{HZWE}$ .

### Switching Waveforms

Figure 4. Read Cycle No. 1 [12, 13]

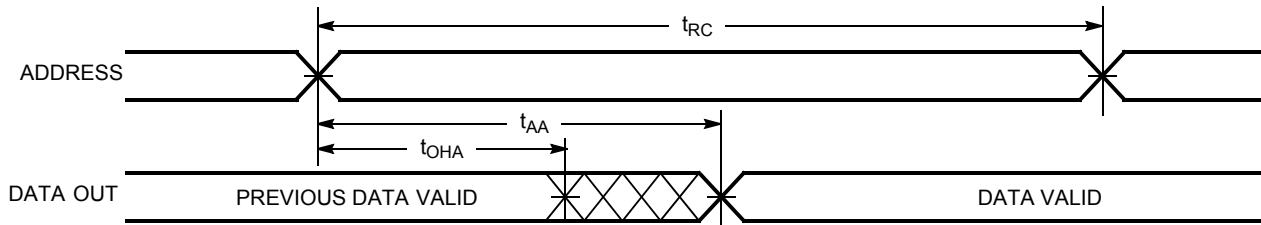
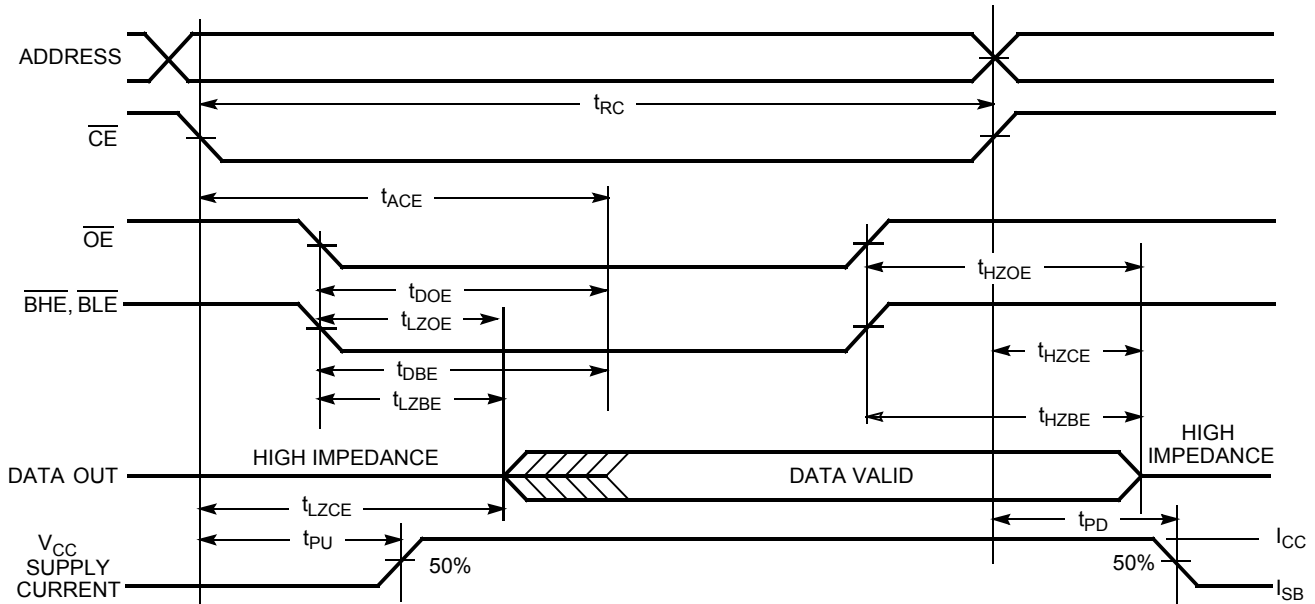


Figure 5. Read Cycle No. 2 ( $\overline{OE}$  Controlled) [13, 14]



**Notes**

- 12. Device is continuously selected.  $\overline{OE}$ ,  $\overline{CE}$ ,  $\overline{BHE}$  and/or  $\overline{BLE}$  =  $V_{IL}$ .
- 13. WE is HIGH for Read cycle.
- 14. Address valid prior to or coincident with  $\overline{CE}$  transition LOW.



Switching Waveforms (continued)

Figure 6. Write Cycle No. 1 ( $\overline{\text{CE}}$  Controlled) [15, 16]

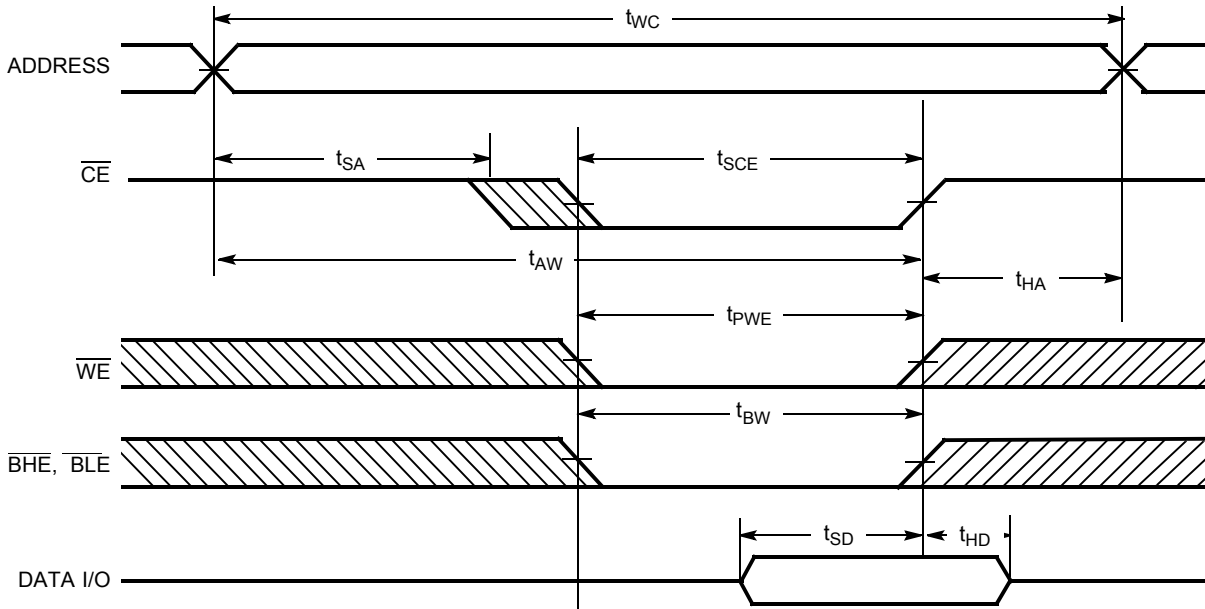
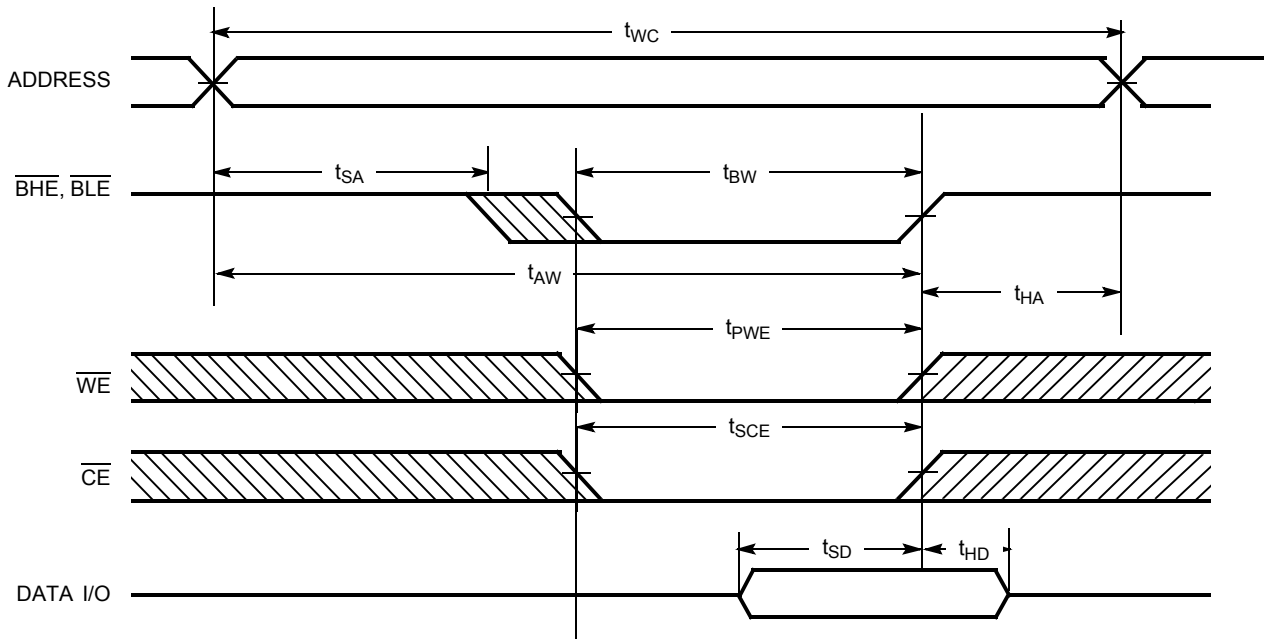


Figure 7. Write Cycle No. 2 ( $\overline{\text{BLE}}$  or  $\overline{\text{BHE}}$  Controlled)

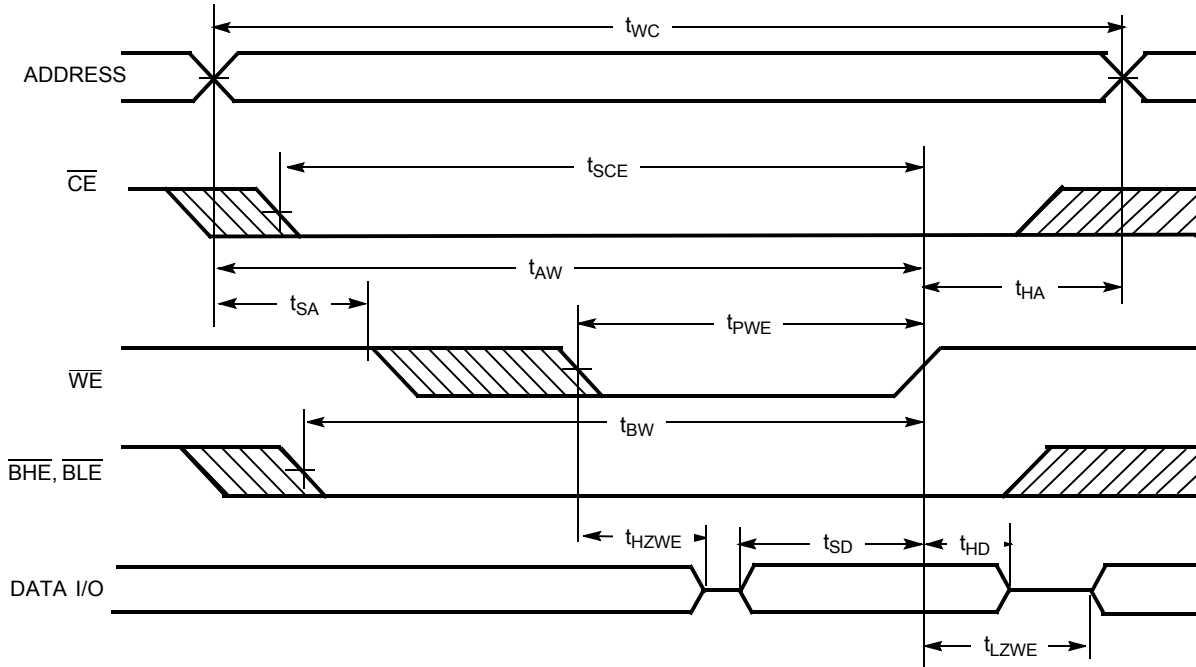


Notes

- 15. Data I/O is high-impedance if  $\overline{\text{OE}}$  or  $\overline{\text{BHE}}$  and/or  $\overline{\text{BLE}} = V_{\text{IH}}$ .
- 16. If  $\overline{\text{CE}}$  goes HIGH simultaneously with  $\overline{\text{WE}}$  going HIGH, the output remains in a high-impedance state.

Switching Waveforms (continued)

Figure 8. Write Cycle No. 3 ( $\overline{WE}$  Controlled,  $\overline{OE}$  LOW) <sup>[17]</sup>



Note

17. The minimum write pulse width for Write Cycle No. 3 ( $\overline{WE}$  controlled,  $\overline{OE}$  LOW) should be sum of  $t_{SD}$  and  $t_{HZWE}$ .

**Truth Table**

$\overline{\text{CE}}$	$\overline{\text{OE}}$	$\overline{\text{WE}}$	$\overline{\text{BLE}}$	$\overline{\text{BHE}}$	I/O <sub>0</sub> -I/O <sub>7</sub>	I/O <sub>8</sub> -I/O <sub>15</sub>	Mode	Power
H	X	X	X	X	High Z	High Z	Power-down	Standby (I <sub>SB</sub> )
L	L	H	L	L	Data Out	Data Out	Read – All bits	Active (I <sub>CC</sub> )
			L	H	Data Out	High Z	Read – Lower bits only	Active (I <sub>CC</sub> )
			H	L	High Z	Data Out	Read – Upper bits only	Active (I <sub>CC</sub> )
L	X	L	L	L	Data In	Data In	Write – All bits	Active (I <sub>CC</sub> )
			L	H	Data In	High Z	Write – Lower bits only	Active (I <sub>CC</sub> )
			H	L	High Z	Data In	Write – Upper bits only	Active (I <sub>CC</sub> )
L	H	H	X	X	High Z	High Z	Selected, Outputs Disabled	Active (I <sub>CC</sub> )
L	X	X	H	H	High Z	High Z	Selected, Outputs Disabled	Active (I <sub>CC</sub> )

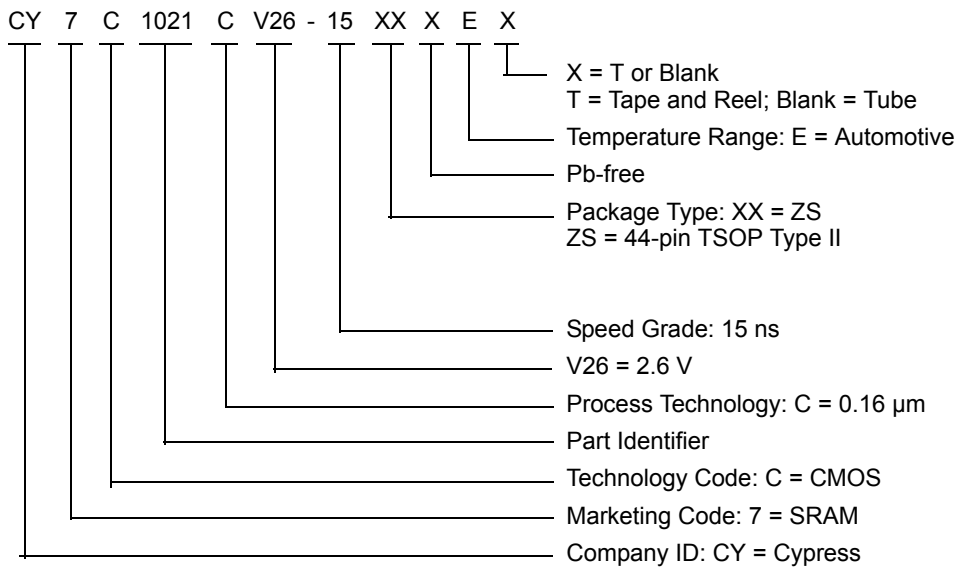
### Ordering Information

Cypress offers other versions of this type of product in many different configurations and features. The following table contains only the list of parts that are currently available. For a complete listing of all options, visit the Cypress website at <http://www.cypress.com> and refer to the product summary page at <http://www.cypress.com/products> or contact your local sales representative.

Cypress maintains a worldwide network of offices, solution centers, manufacturer's representatives and distributors. To find the office closest to you, visit us at <http://www.cypress.com/go/datasheet/offices>.

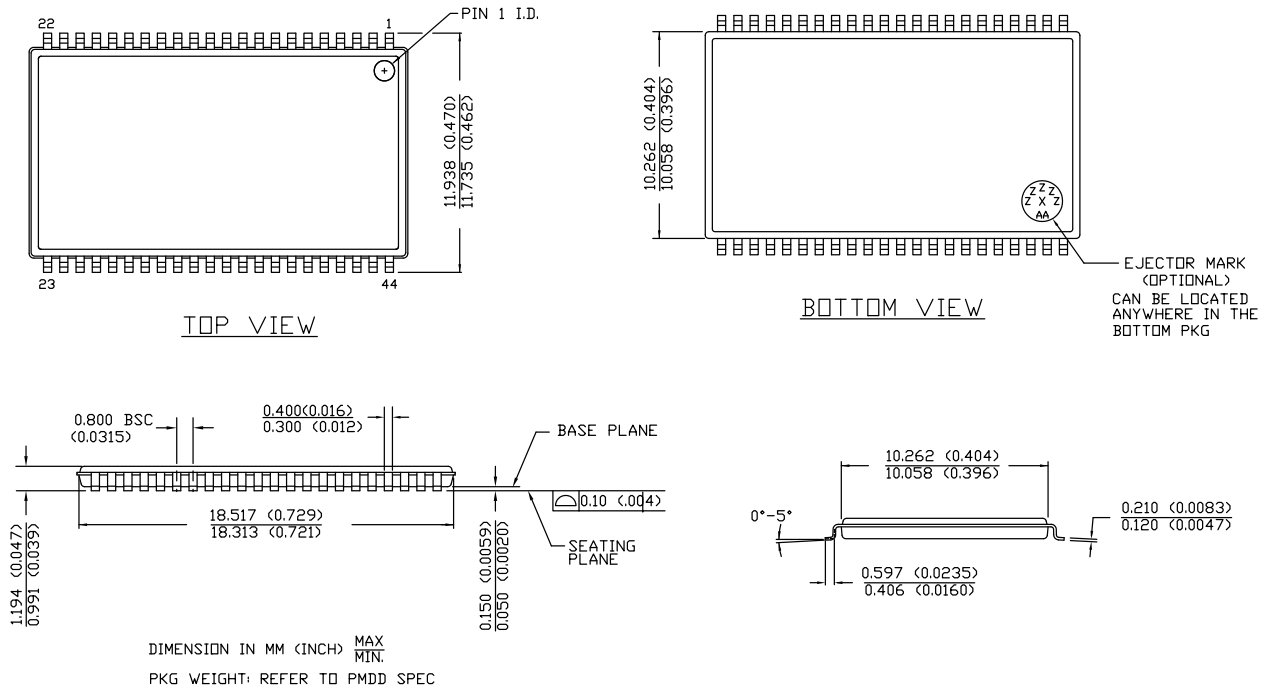
Speed (ns)	Ordering Code	Package Name	Package Type	Operating Range
15	CY7C1021CV26-15ZSX E	51-85087	44-pin TSOP Type II (Pb-free)	Automotive
	CY7C1021CV26-15ZSX ET	51-85087	44-pin TSOP Type II (Pb-free)	

### Ordering Code Definitions



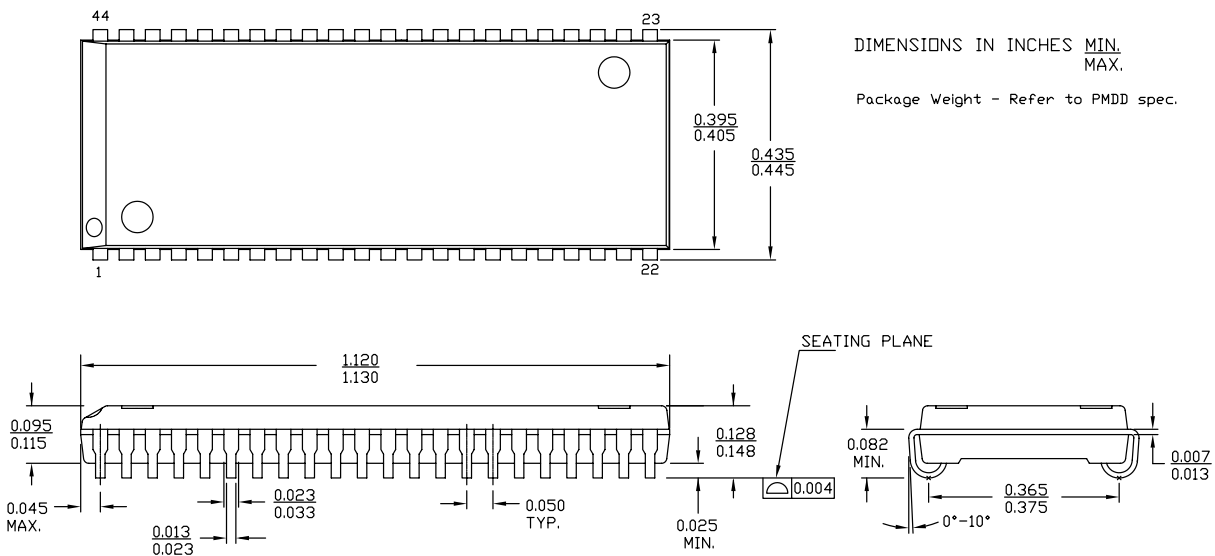
Package Diagrams

Figure 9. 44-pin TSOP Z44-II Package Outline, 51-85087



51-85087 \*E

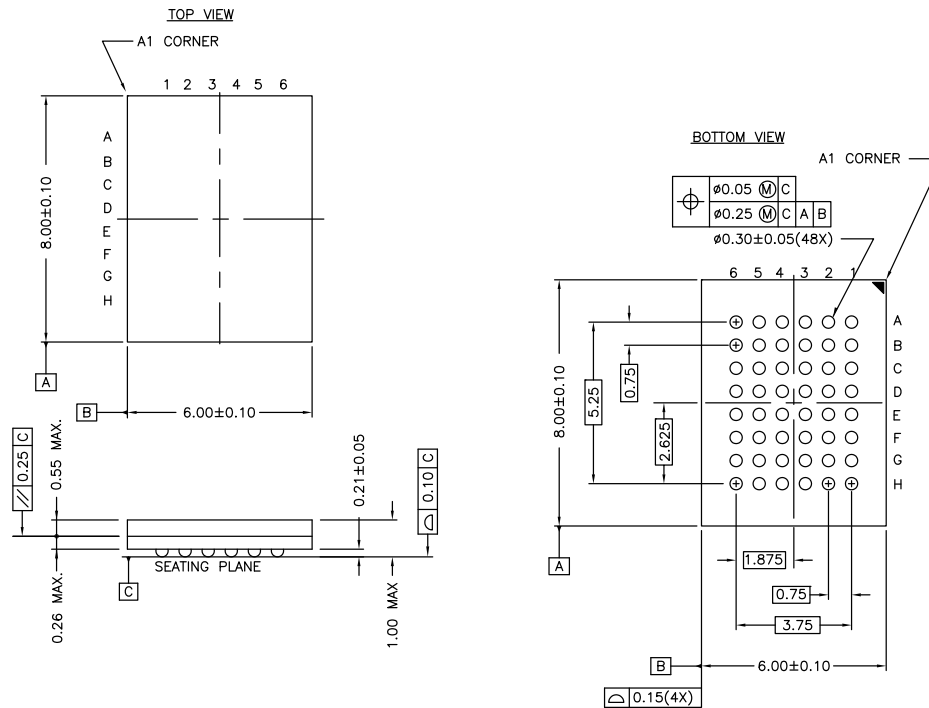
Figure 10. 44-pin SOJ (400 Mils) V44.4 Package Outline, 51-85082



51-85082 \*E

Package Diagrams (continued)

Figure 11. 48-ball FBGA (6 × 8 × 1 mm) BV48/BZ48 Package Outline, 51-85150



NOTE:  
 PACKAGE WEIGHT: See Cypress Package Material Declaration Datasheet (PMDD)  
 posted on the Cypress web.

51-85150 \*H

**Acronyms**

Acronym	Description
CMOS	Complementary Metal Oxide Semiconductor
$\overline{CE}$	Chip Enable
FBGA	Fine-Pitch Ball Grid Array
I/O	Input/Output
$\overline{OE}$	Output Enable
SOJ	Small Outline J-lead
SRAM	Static Random Access Memory
TSOP	Thin Small-Outline Package
TTL	Transistor-Transistor Logic
$\overline{WE}$	Write Enable

**Document Conventions**

**Units of Measure**

Symbol	Unit of Measure
°C	degree Celsius
MHz	megahertz
μA	microampere
mA	milliampere
mm	millimeter
mW	milliwatt
ns	nanosecond
%	percent
pF	picofarad
V	volt
W	watt

## Document History Page

Document Title: CY7C1021CV26, 1-Mbit (64 K × 16) Static RAM Document Number: 38-05589				
Rev.	ECN No.	Issue Date	Orig. of Change	Description of Change
**	238454	See ECN	RKF	New data sheet for Automotive.
*A	335861	See ECN	SYT	Added 44-pin SOJ Package related information in all instances across the document. Updated <a href="#">Ordering Information</a> : Updated part numbers (Added Lead-Free Product Information).
*B	493543	See ECN	NXR	Updated <a href="#">Electrical Characteristics</a> : Changed description of I <sub>IX</sub> parameter from “Input Load Current” to “Input Leakage Current”. Removed I <sub>OS</sub> parameter and its details. Updated <a href="#">Ordering Information</a> : Updated part numbers.
*C	2897087	03/22/10	AJU	Updated <a href="#">Ordering Information</a> : Removed obsolete parts. Updated <a href="#">Package Diagrams</a> .
*D	3057593	10/13/2010	PRAS	Updated <a href="#">Ordering Information</a> : Updated part numbers. Added <a href="#">Ordering Code Definitions</a> . Updated <a href="#">Package Diagrams</a> .
*E	3098812	12/01/2010	PRAS	Minor edits across the document. Added <a href="#">Acronyms</a> and <a href="#">Units of Measure</a> . Updated to new template.
*F	3277371	06/08/2011	AJU	Updated <a href="#">Pin Configurations</a> (Included pin configurations for 44-pin SOJ and 48-ball FBGA packages).
*G	4141238	09/30/2013	VINI	Updated <a href="#">Package Diagrams</a> : spec 51-85087 – Changed revision from *C to *E. spec 51-85082 – Changed revision from *C to *E. spec 51-85150 – Changed revision from *F to *H. Updated to new template. Completing Sunset Review.
*H	4567793	11/12/2014	VINI	Updated <a href="#">Functional Description</a> : Added “For a complete list of related resources, <a href="#">click here</a> .” at the end. Updated <a href="#">Switching Characteristics</a> : Added Note 11 and referred the same note in “Write Cycle”. Updated <a href="#">Switching Waveforms</a> : Added Note 17 and referred the same note in <a href="#">Figure 8</a> . Completing Sunset Review.
*I	4573200	11/18/2014	VINI	Updated <a href="#">Ordering Information</a> : Removed prune part numbers namely CY7C1021CV26-15VXE, CY7C1021CV26-15BAE, CY7C1021CV26-15BAET, and CY7C1021CV26-15VXET.
*J	5004033	11/05/2015	VINI	Updated to new template. Completing Sunset Review.



## Sales, Solutions, and Legal Information

### Worldwide Sales and Design Support

Cypress maintains a worldwide network of offices, solution centers, manufacturer's representatives, and distributors. To find the office closest to you, visit us at [Cypress Locations](#).

#### Products

Automotive	<a href="http://cypress.com/go/automotive">cypress.com/go/automotive</a>
Clocks & Buffers	<a href="http://cypress.com/go/clocks">cypress.com/go/clocks</a>
Interface	<a href="http://cypress.com/go/interface">cypress.com/go/interface</a>
Lighting & Power Control	<a href="http://cypress.com/go/powerpsoc">cypress.com/go/powerpsoc</a>
Memory	<a href="http://cypress.com/go/memory">cypress.com/go/memory</a>
PSoC	<a href="http://cypress.com/go/psoc">cypress.com/go/psoc</a>
Touch Sensing	<a href="http://cypress.com/go/touch">cypress.com/go/touch</a>
USB Controllers	<a href="http://cypress.com/go/USB">cypress.com/go/USB</a>
Wireless/RF	<a href="http://cypress.com/go/wireless">cypress.com/go/wireless</a>

#### PSoC<sup>®</sup> Solutions

[psoc.cypress.com/solutions](http://psoc.cypress.com/solutions)  
PSoC 1 | PSoC 3 | PSoC 4 | PSoC 5LP

#### Cypress Developer Community

[Community](#) | [Forums](#) | [Blogs](#) | [Video](#) | [Training](#)

#### Technical Support

[cypress.com/go/support](http://cypress.com/go/support)

---

© Cypress Semiconductor Corporation, 2004-2015. The information contained herein is subject to change without notice. Cypress Semiconductor Corporation assumes no responsibility for the use of any circuitry other than circuitry embodied in a Cypress product. Nor does it convey or imply any license under patent or other rights. Cypress products are not warranted nor intended to be used for medical, life support, life saving, critical control or safety applications, unless pursuant to an express written agreement with Cypress. Furthermore, Cypress does not authorize its products for use as critical components in life-support systems where a malfunction or failure may reasonably be expected to result in significant injury to the user. The inclusion of Cypress products in life-support systems application implies that the manufacturer assumes all risk of such use and in doing so indemnifies Cypress against all charges.

Any Source Code (software and/or firmware) is owned by Cypress Semiconductor Corporation (Cypress) and is protected by and subject to worldwide patent protection (United States and foreign), United States copyright laws and international treaty provisions. Cypress hereby grants to licensee a personal, non-exclusive, non-transferable license to copy, use, modify, create derivative works of, and compile the Cypress Source Code and derivative works for the sole purpose of creating custom software and or firmware in support of licensee product to be used only in conjunction with a Cypress integrated circuit as specified in the applicable agreement. Any reproduction, modification, translation, compilation, or representation of this Source Code except as specified above is prohibited without the express written permission of Cypress.

Disclaimer: CYPRESS MAKES NO WARRANTY OF ANY KIND, EXPRESS OR IMPLIED, WITH REGARD TO THIS MATERIAL, INCLUDING, BUT NOT LIMITED TO, THE IMPLIED WARRANTIES OF MERCHANTABILITY AND FITNESS FOR A PARTICULAR PURPOSE. Cypress reserves the right to make changes without further notice to the materials described herein. Cypress does not assume any liability arising out of the application or use of any product or circuit described herein. Cypress does not authorize its products for use as critical components in life-support systems where a malfunction or failure may reasonably be expected to result in significant injury to the user. The inclusion of Cypress' product in a life-support systems application implies that the manufacturer assumes all risk of such use and in doing so indemnifies Cypress against all charges.

Use may be limited by and subject to the applicable Cypress software license agreement.

# Mouser Electronics

Authorized Distributor

Click to View Pricing, Inventory, Delivery & Lifecycle Information:

[Cypress Semiconductor:](#)

[CY7C1021CV26-15ZSXE](#) [CY7C1021CV26-15ZSXET](#)