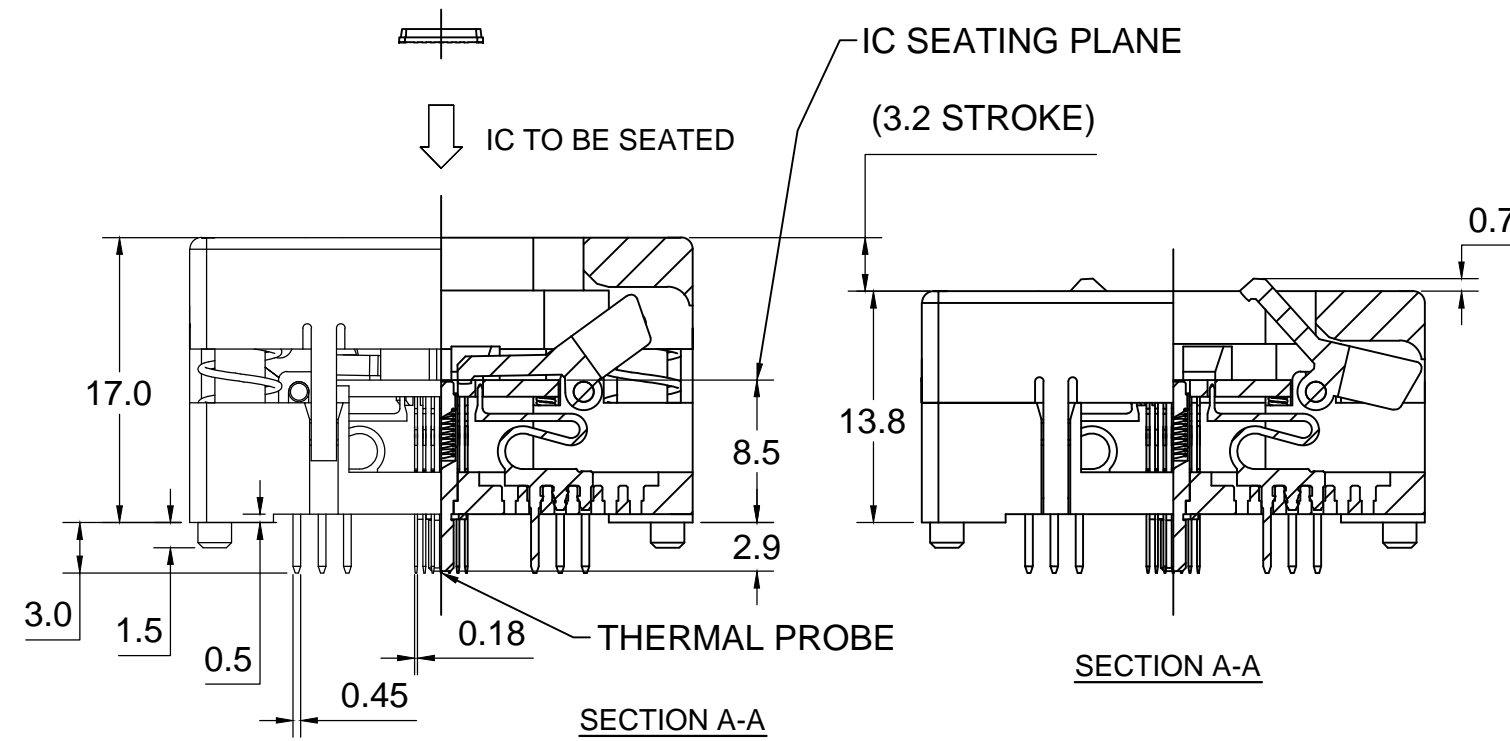
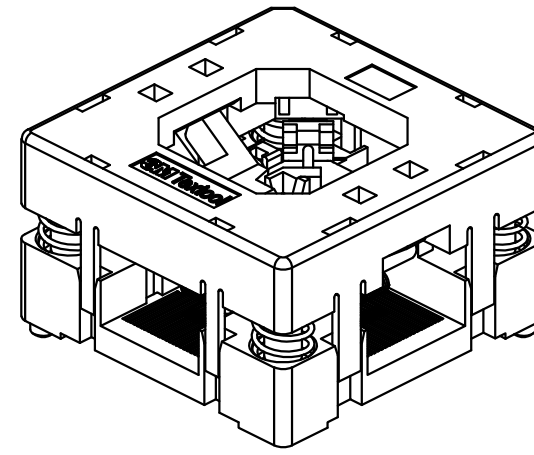
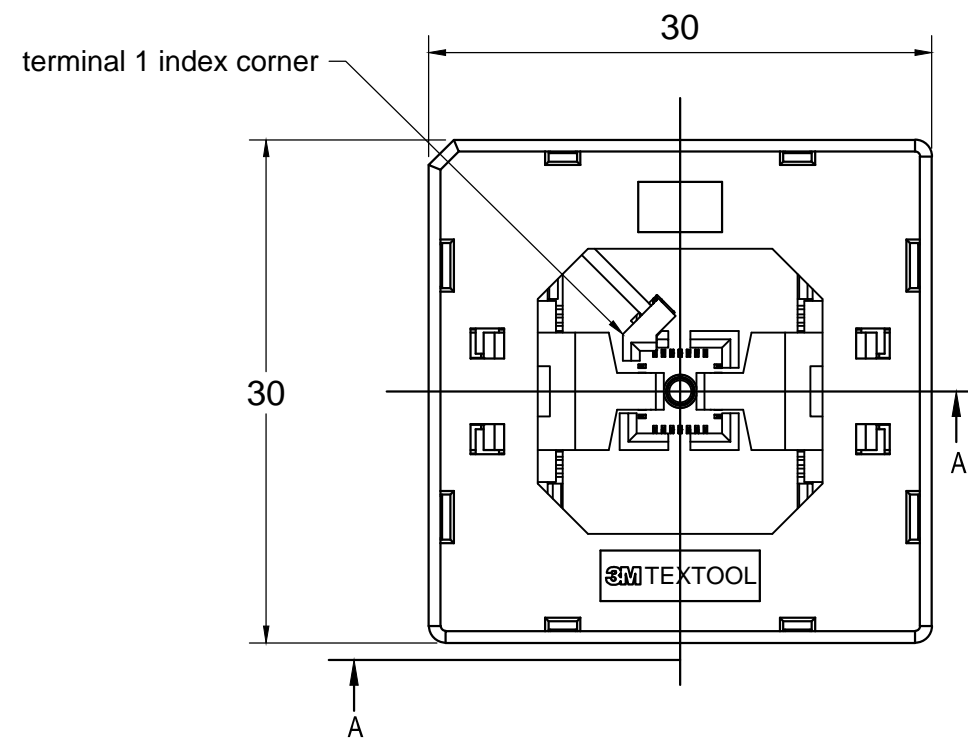


3M™ TEXTTOOL™ OPEN-TOP SOCKETS FOR QFN APPLICATIONS



NOTES:

1. MATERIALS:

SPRINGS	SS	PLATING : Au
CONTACTS	Be Cu	COLOR : BLACK
IC GUIDES	PES	COLOR : BLACK
PRESSURE PAD	PES	COLOR : BLACK
COVER	PPS or equiv.	COLOR : BLACK
BASE	PES	COLOR : BLACK

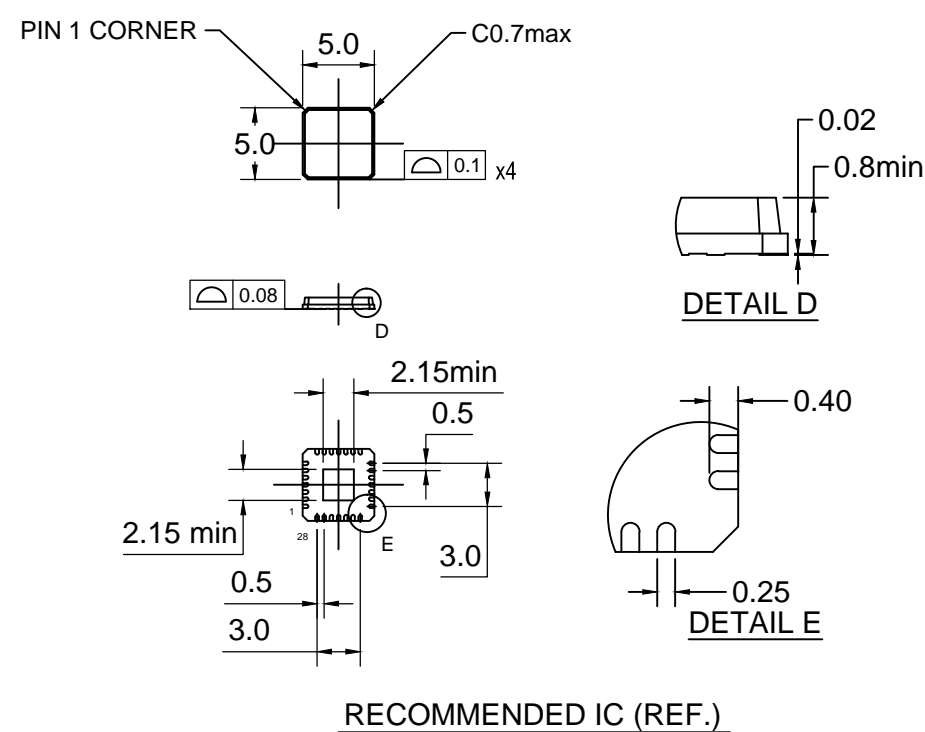
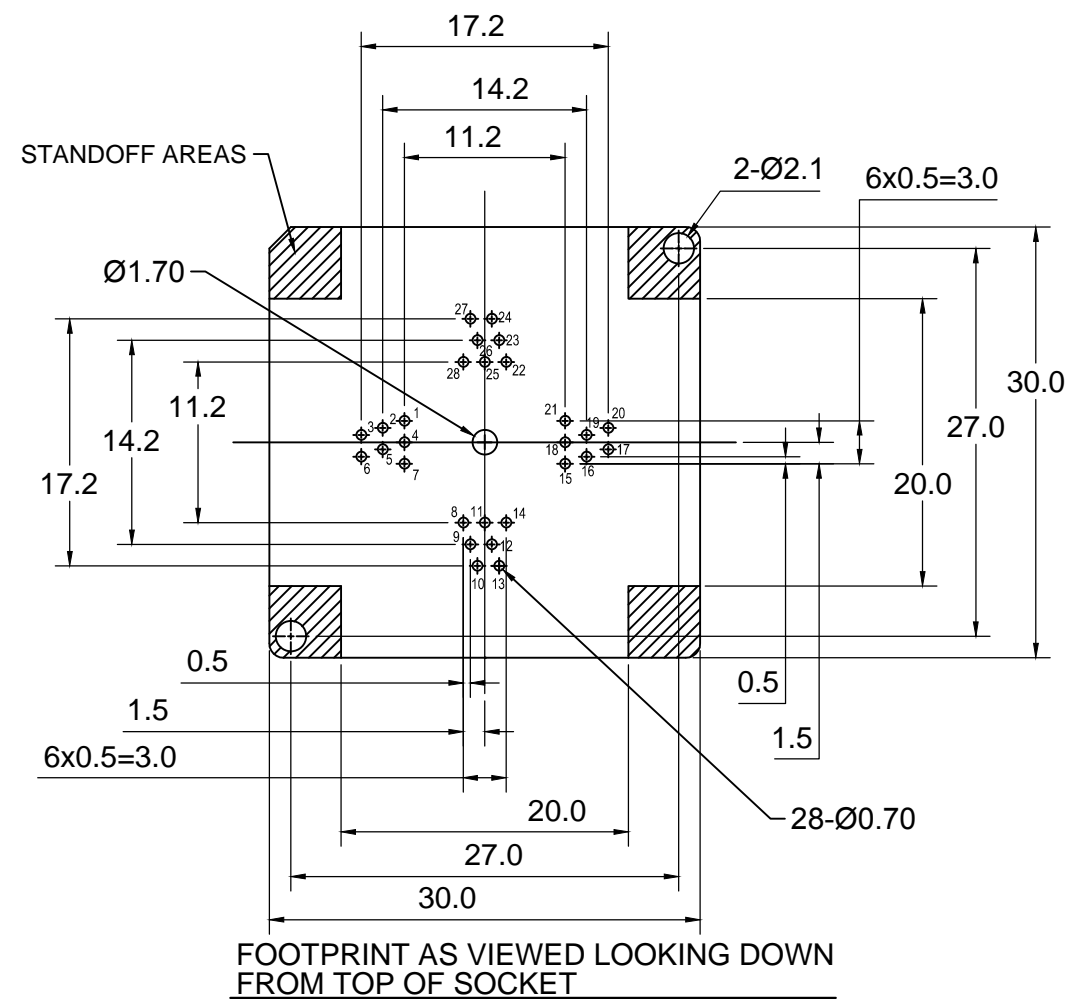
2. SEE THE REGULATORY INFORMATION APPENDIX (RIA) IN THE "RoHS COMPLIANCE" SECTION WWW.3MCONNECTOR.COM FOR COMPLIANCE INFORMATION (RIA E1 & C1 APPLY).

3. FOR PRODUCT SPECIFICATIONS AND WARRANTY INFORMATION SEE:

WWW.3MCONNECTOR.COM PN 228-5204-01

DESIGN REFERENCE		NEXT ASSEMBLY		A	37213	INITIAL RELEASE	ARM	
DISTRIBUTION CODES		TOLERANCES EXCEPT AS NOTED		REV	ECO	ISSUE DATE AND DESCRIPTION	DRFT	CHKD
DIVISION		INCHES		DRFT		DATE	MFG	DATE
DO NOT SCALE DRAWING		MILLIMETERS		CHKD		DATE	APPVL	DATE
SCALE 5/1		THIRD ANGLE PROJECTION		3M Center St. Paul, MN 55144 © 3M COPYRIGHT 2012 This document is the copyrighted property of the 3M Company and may not be reproduced without 3M written permission or used for other than 3M authorized purposes.				
INTERPRET PER ASME Y14.5 - 1994		MAX SURFACE ROUGHNESS		QFN TEST SOCKET, 0.5mm, 28 pos, ODD ROW, 5X5 PKG, WITH TP				
125 <input type="checkbox"/> ALL SURFACES <input checked="" type="checkbox"/> MARKED ONLY		.0 ± .1 .00 ± .02 .000 ± .005 .0000 ± .0002		CAGE NUMBER	SIZE	DRAWING NO.	REV.	
ANGLS ± 1°		0 ± .0 .0 ± .0 .00 ± .000		C	C	78-5100-2465-2	A	
				MODEL	TEXTTOOL - QFN	DET. LISTS	<input type="checkbox"/> YES <input checked="" type="checkbox"/> NO	SHT 1 OF 2

3M™ TEXTTOOL™ OPEN-TOP SOCKETS FOR QFN APPLICATIONS



DESIGN REFERENCE		NEXT ASSEMBLY		REV	ECO	ISSUE DATE AND DESCRIPTION		DRFT	CHKD
DISTRIBUTION CODES				DRFT		DATE	MFG	DATE	
				CHKD		DATE	APPVL	DATE	
DIVISION		DIVISION CODE		3M Center St. Paul, MN 55144			© 3M COPYRIGHT 2012 This document is the copyrighted property of the 3M Company and may not be reproduced without 3M written permission or used for other than 3M authorized purposes.		
DO NOT SCALE DRAWING	SCALE	TOLERANCES EXCEPT AS NOTED							
		5	INCHES		QFN TEST SOCKET, 0.5mm, 28 pos, ODD ROW, 5X5 PKG, WITH TP				
		1	MILLIMETERS						
THIRD ANGLE PROJECTION				.0 ± .1	CAGE NUMBER C DRAWING NO. 78-5100-2465-2 REV. A				
INTERPRET PER ASME Y14.5 - 1994				.00 ± .02					
MAX SURFACE ROUGHNESS				.000 ± .005	MODEL TEXTTOOL - QFN DET. LISTS <input type="checkbox"/> YES <input checked="" type="checkbox"/> NO SHT 2 OF 2				
125 <input type="checkbox"/> ALL SURFACES <input checked="" type="checkbox"/> MARKED ONLY				.000 ± .002					
				ANGLES ± 1°					

Mouser Electronics

Authorized Distributor

Click to View Pricing, Inventory, Delivery & Lifecycle Information:

[3M:](#)

[228-5204-01](#)