



MEAS

TE Part # NB-PTCO-157

TE Internal #: NB-PTCO-157

[View on TE.com >](#)

Sensors > Temperature Sensors > RTD Sensors & Probes > RTD Sensors



Sensor Type: **Platinum Thin Film Temperature Sensor**

Sensor Package: **Ceramic**

Element Material: **Platinum**

Lead Wire Style: **Ag**

Maximum Temperature: **300 °C [572 °F]**

Features

Product Type Features

Wire/Cladding Type	Ag
Model Number	PTFC102B1A0
Sensor Type	Platinum Thin Film Temperature Sensor
Element Material	Platinum
Lead Wire Style	Ag

Configuration Features

Connector Type	Open Ends
----------------	-----------

Dimensions

Height (Body)	1.1 mm[.043 in]
Wire Length	10 mm[.393 in]
Wire Diameter	.3 mm[.011 in]
Length (Body)	2.3 mm[.09 in]
Width (Body)	2 mm[.078 in]

Usage Conditions

Resistance (at T_ref)	1000 (0 °C) Ω
T_ref for Accuracy	0 °C
Ambient Temperature Range	-50 – 300 °C[-58 – 572 °F]
TCR at (T1 and T2)	3850 ppm/°C



T1 and T2 for TCR	0 and +100 °C
T_ref for Resistance	0 °C
Accuracy (at T_ref)	± .3 °C
Maximum Temperature	300 °C[572 °F]

Packaging Features

Sensor Package	Ceramic
----------------	---------

Other

Wire Count	2
Tolerance Class	Class B / F0.3

Product Compliance

[For compliance documentation, visit the product page on TE.com>](#)

EU RoHS Directive 2011/65/EU	Not Yet Reviewed
EU ELV Directive 2000/53/EC	Not Yet Reviewed
China RoHS 2 Directive MIIT Order No 32, 2016	Restricted Materials Above Threshold
EU REACH Regulation (EC) No. 1907/2006	Current ECHA Candidate List: JAN 2019 (197) Candidate List Declared Against: JAN 2017 (173)
Halogen Content	Not Yet Reviewed for halogen content
Solder Process Capability	Not reviewed for solder process capability

Product Compliance Disclaimer

This information is provided based on reasonable inquiry of our suppliers and represents our current actual knowledge based on the information they provided. This information is subject to change. The part numbers that TE has identified as EU RoHS compliant have a maximum concentration of 0.1% by weight in homogenous materials for lead, hexavalent chromium, mercury, PBB, PBDE, DBP, BBP, DEHP, DIBP, and 0.01% for cadmium, or qualify for an exemption to these limits as defined in the Annexes of Directive 2011/65/EU (RoHS2). Finished electrical and electronic equipment products will be CE marked as required by Directive 2011/65/EU. Components may not be CE marked. Additionally, the part numbers that TE has identified as EU ELV compliant have a maximum concentration of 0.1% by weight in homogenous materials for lead, hexavalent chromium, and mercury, and 0.01% for cadmium, or qualify for an exemption to these limits as defined in the Annexes of Directive 2000/53/EC (ELV). Regarding the REACH Regulations, TE's information on SVHC in articles for this part number is still based on the European Chemical Agency (ECHA) 'Guidance on requirements for substances in articles' (Version: 2, April 2011), applying the 0.1% weight on weight concentration threshold at the finished product level. TE is aware of the European Court of Justice ruling of September 10th, 2015 also known as O5A (Once An Article Always An Article) stating that, in case of 'complex object', the threshold for a SVHC must be applied to both the product as a whole and simultaneously to each of the articles forming part of its composition. TE has evaluated this ruling based on the new ECHA "Guidance on requirements for substances in articles" (June 2017, version 4.0) and will be updating its statements accordingly.

Customers Also Bought



TE Part #1-1337447-0
BNC Ins BHSkt 50Ohm
Nickel Silver Pltd



TE Part #1-1337463-0
BNC Plg Term 50Ohm
Silver Pltd



TE Part #4-1676971-2
RN 0805 200K 0.1% 10PPM
1K RL



TE Part #NB-PTCO-160
PTFC101B1A0:PT100,2.0X2.
3,B



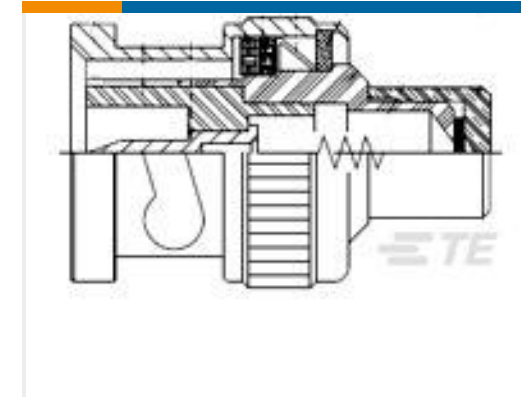
TE Part #NB-PTCO-191
PTFM102B1A0:PT1000,1.2
X4.0,B



TE Part #NB-PTCO-006
PTFC102B1G0:PT1000,2.0
X2.3,B



TE Part #1625861-5
RH73 2A 500M 30%
500PPM



TE Part #1-1337523-0
BNC Plg Term 50Ohm
Nickel Pltd



TE Part #4-2176217-9
CPF A 0805 10K 0.1%
25PPM 1K RL

Documents

Datasheets & Catalog Pages

[PTF-Family](#)

English