

# Tip Plugs

APPLICATION • Connections to monitoring equipment

INCHES (MILLIMETERS)  
CUSTOMER DRAWINGS AVAILABLE UPON REQUEST

## .060 (1.50) Shrouded Rib-Loc® Tip Plug



### SPECIFICATIONS

**Contact:** Brass per QQ-B-626D

**Finish:** Gold or silver

**Body:** Nylon 6/6 per ASTM D4066

**Panel Thickness:** Up to .250 (6.35)

### RATINGS

**Current:** 7 amps

**Breakdown Voltage:** 3500 Vrms minimum †

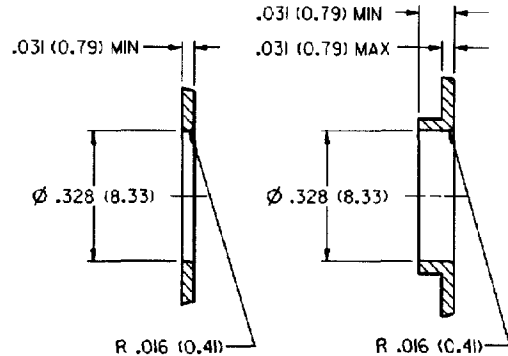
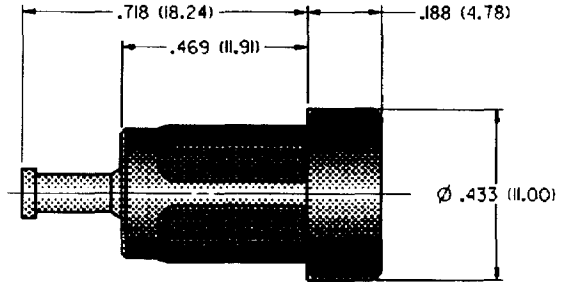
**Contact Resistance:** 0.010 ohms maximum

SILVER PLATING			
PART NO.	COLOR	PART NO.	COLOR
105-1321-001	White	105-1324-001	Green
105-1322-001	Red	105-1327-001	Yellow
105-1323-001	Black	105-1330-001	Blue
GOLD PLATING			
PART NO.	COLOR	PART NO.	COLOR
105-1321-002	White	105-1324-002	Green
105-1322-002	Red	105-1327-002	Yellow
105-1323-002	Black	105-1330-002	Blue

For Standard Tip Jack:  
.060 (1.50) Diameter

### FEATURES:

- Requires no mounting hardware
- Shrouded
- Nylon UL approved for self extinguishing



MOUNTING HOLE OPTIONS

## .060 (1.50) Shrouded Tip Plug

### SPECIFICATIONS

**Contact and Nut:** Brass per QQ-B-626D

**Finish:** Gold or silver

**Body:** Nylon 6/6 per ASTM D4066

**Hardware:** Nickel plated nut (unassembled)

**Body Thread Stripping Torque:** 6 in. lb. (7 kg.cm.)

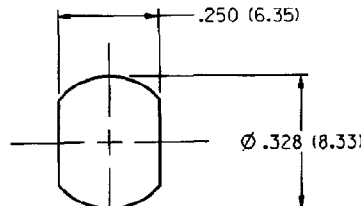
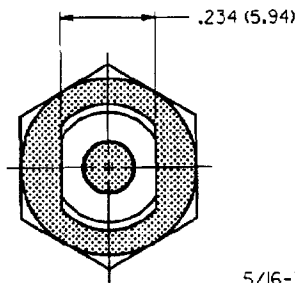
**Panel Thickness:** Up to .343 (8.80)

### RATINGS

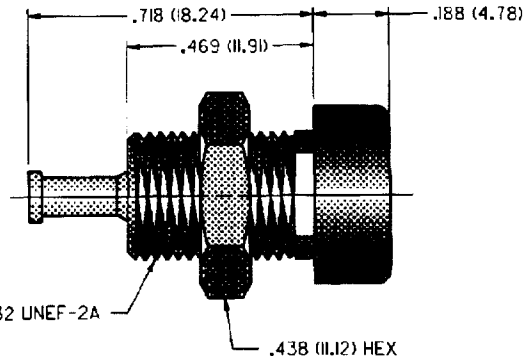
**Current:** 7 amps

**Breakdown Voltage:** 3500 Vrms minimum †

**Contact Resistance:** 0.010 ohms maximum



MOUNTING HOLE LAYOUT

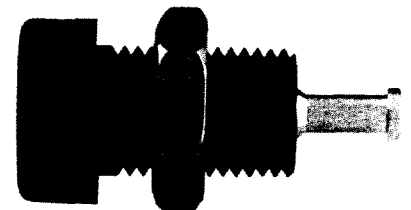


SILVER PLATING			
PART NO.	COLOR	PART NO.	COLOR
105-1301-001	White	105-1304-001	Green
105-1302-001	Red	105-1307-001	Yellow
105-1303-001	Black	105-1310-001	Blue
GOLD PLATING			
PART NO.	COLOR	PART NO.	COLOR
105-1301-002	White	105-1304-002	Green
105-1302-002	Red	105-1307-002	Yellow
105-1303-002	Black	105-1310-002	Blue

For Standard Tip Jack: .060 (1.50) Diameter

### FEATURES:

- Keyed mounting with double flats
- Shrouded
- Nylon UL approved for self extinguishing



† Avoid user injury due to misapplication. See safety advisory definitions on page 2.