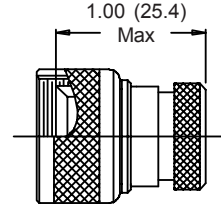


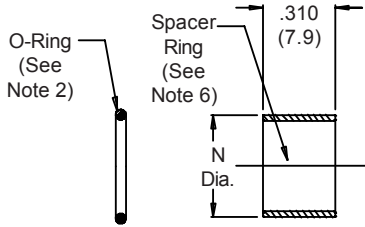
.120 (3.0)  
Dia. Holes  
(4 Places)

**Hole Pattern  
Shell Size 13**

Shown for Reference  
See Table I for Other Hole Patterns

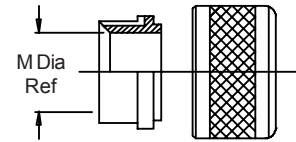
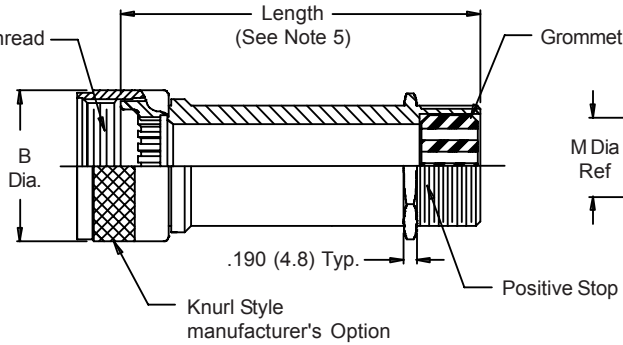


**Shrink Boot  
Adapter (Std)**

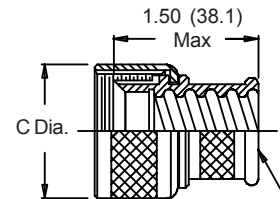


O-Ring  
(See  
Note 2)

Spacer  
Ring  
(See  
Note 6)



**Symbol G  
Gland Nut**



Mates to Glenair 127-104  
Convuluted Tubing (See Table I)

**Symbol T  
Tubing Adapter**

**717NS059 NF 13 T 4**

Basic Part  
Number

Finish Symbol (Table II)

Shell Size (Table I)

Length in 1/2 inch increments  
(e.g. 4 = 2 inches)

G = Gland Nut  
T = Tubing Adapter  
(Omit for Standard  
Shrink Boot Adapter)

**FiberCon Backshell for Glenair 180-040 Series  
(MIL-C-28876) Connector  
717-059**



**TABLE I: SHELL SIZE**

Shell Size	Designator (Ref)	A Thread Class 2B	B Max	C Max	M Ref	N Max	Conduit Size	No. of Holes
11	A	3/4 -20 UNEF	1.028 (26.1)	1.02 (25.9)	.32 (8.1)	.410 (10.4)	12	2
13	B	7/8 -20 UNEF	1.141 (29.0)	1.12 (28.4)	.58 (14.7)	.532 (13.5)	14	4
15	C	1 -20 UNEF	1.263 (32.1)	1.34 (34.0)	.77 (19.6)	.710 (18.0)	24	8

**TABLE II: FINISH**

Symbol	Finish Description
M	Electroless Nickel
NF	Cadmium/Olive Drab over Electroless Nickel (500 Hour Salt Spray)

**NOTES:**

1. Metric dimensions (mm) are in parentheses and are for reference only.
2. O-Ring will be shipped loose and shall be installed onto connector back-end before backshell is installed.
3. Glenair Series 600 Backshell Assembly Tools are recommended for assembly and installation.
4. Material/Finish:  
Adapter, coupling Nut, Ferrule, Nut Space Ring: Aluminum Alloy/Finish Per Table II.  
Crommet, O-Ring: Fluorosilicone/N.A.
5. Standard minimum order length is 1.5 inches. Consult factory for shorter length.
6. Spacer Ring is packaged loose and installed with connector at time of assembly to retain terminus insert.