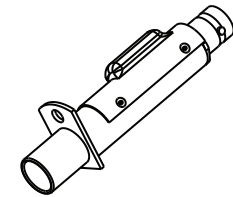
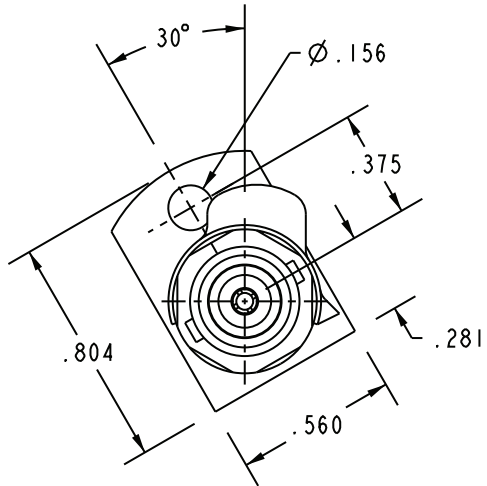
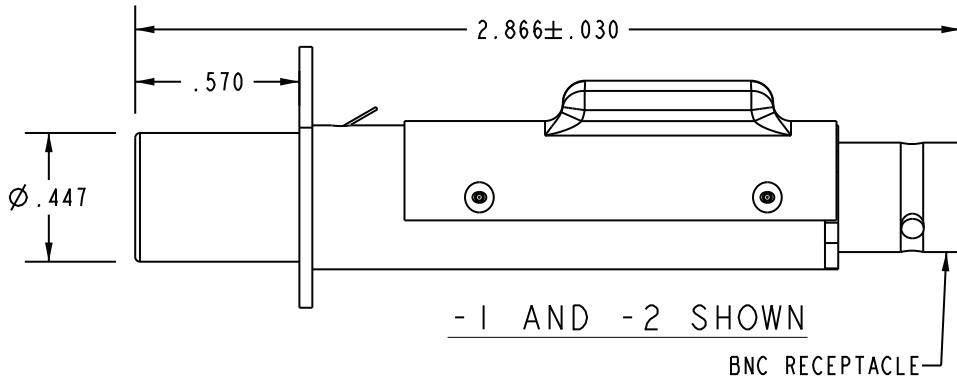


MODEL NO.	ACCEPTS PIN DIA.	RECEPTACLE TYPE
J13- Δ /2	.070 (RCA)	BNC
J13W- Δ /2	.090 (W.E.CO.)	
J13H- Δ /2	.070 (RCA)	TNC
J13WH- Δ /2	.090 (W.E.CO.)	

DATA CONTAINED IN THIS DOCUMENT IS PROPRIETARY TO EMERSON CONNECTIVITY SOLUTIONS AND SHALL NOT BE DISCLOSED, COPIED OR USED FOR PROCUREMENT OR MANUFACTURE WITHOUT EXPRESS WRITTEN PERMISSION

REVISIONS			
REV	DESCRIPTIONS	DATE	APPROVED
A	ECO 52227	3/24/10	C. MONAHAN

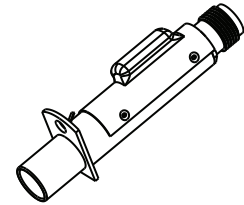
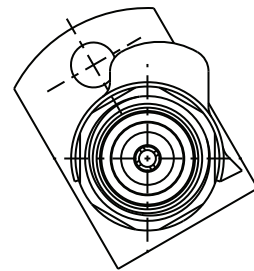
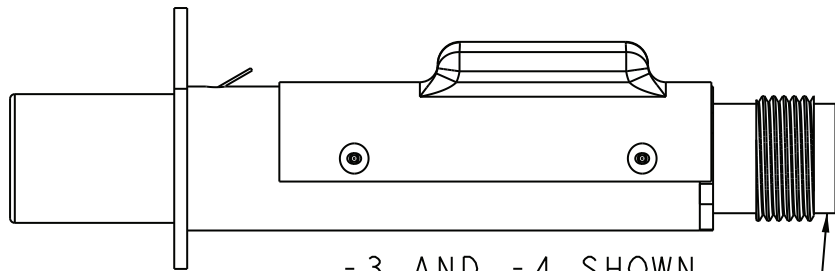


SCALE 1/2

-1 AND -2 SHOWN

BNC RECEPTACLE

DIMENSIONS APPLY TO ALL DASH NUMBERS

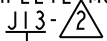


SCALE 1/2

-3 AND -4 SHOWN

TNC RECEPTACLE

4. EXAMPLE OF COMPLETE MODEL NUMBER:

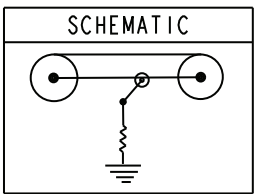


BASIC MODEL NUMBER (SEE TABLE)

3. 50 & 75 Ω SELF-TERMINATING COAXIAL PATCH JACK WITH BNC OR TNC RECEPTACLE

Δ RESISTANCE VALUE IN Ω (1/2 W 1%)

1. TFS-1A (NICKEL)



NOTES: UNLESS OTHERWISE SPECIFIED.

INTERPRET DRAWING PER MIL-STD-100. DIMENSIONS ARE IN INCHES AND INCLUDE FINISH THICKNESS UNLESS OTHERWISE SPECIFIED.		TOL: UNLESS SPECIFIED. .XX ± .02 .XXX ± .010 ANGLE ± 1°		 Connectivity Solutions 299 Johnson Ave. Ste. 100 Waseca, MN 56093 1-800-247-8256	
DRN C. WALLACE	5/10/10	MATERIAL:		TITLE: J13/J13W/J13H/J13WH	
N/A		FINISH:		SIZE Δ 14949	CAGE CODE 1-0124
BLANK LENGTH (REF. ONLY)		APPROVED		DRAWING NO.	REV. X
N/A		PROF. TITLE NO. 1-0124		SCALE 1/1	DATE 10/19/67
SURFACE AREA		DO NOT SCALE DWG		SHEET 1 OF 2	