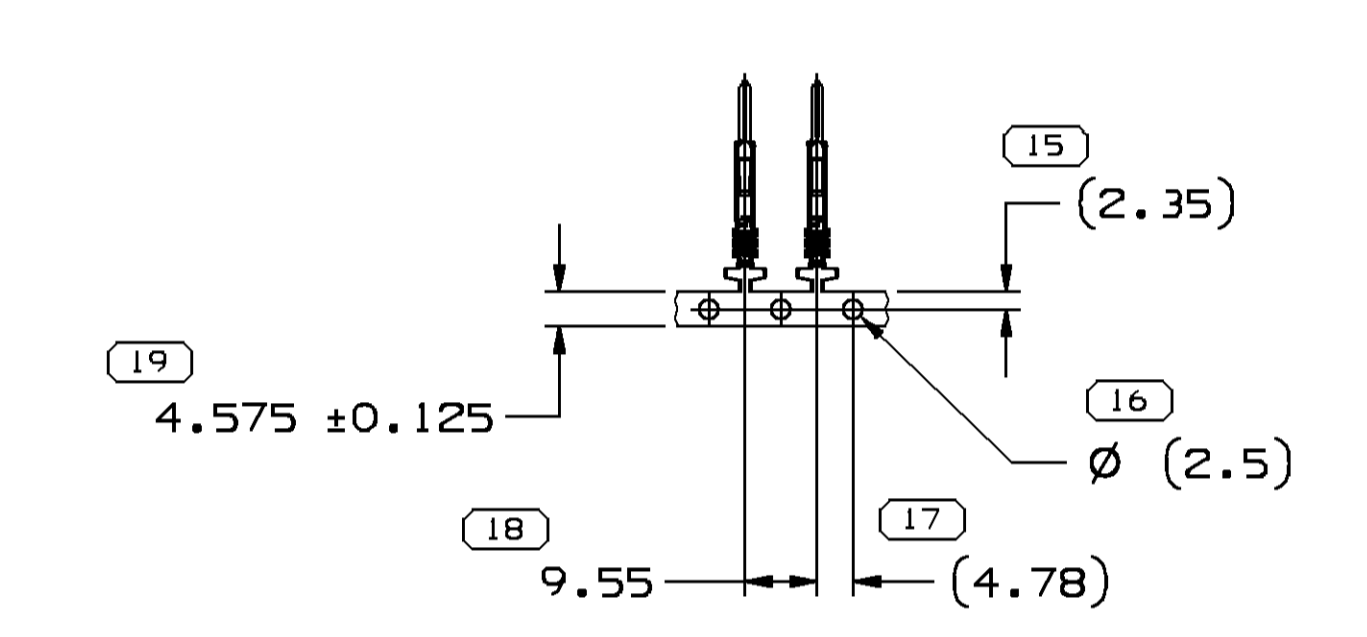
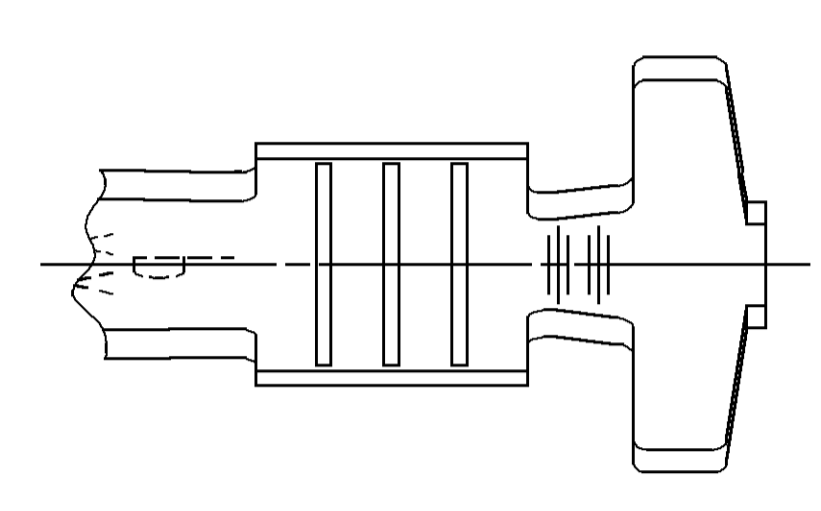
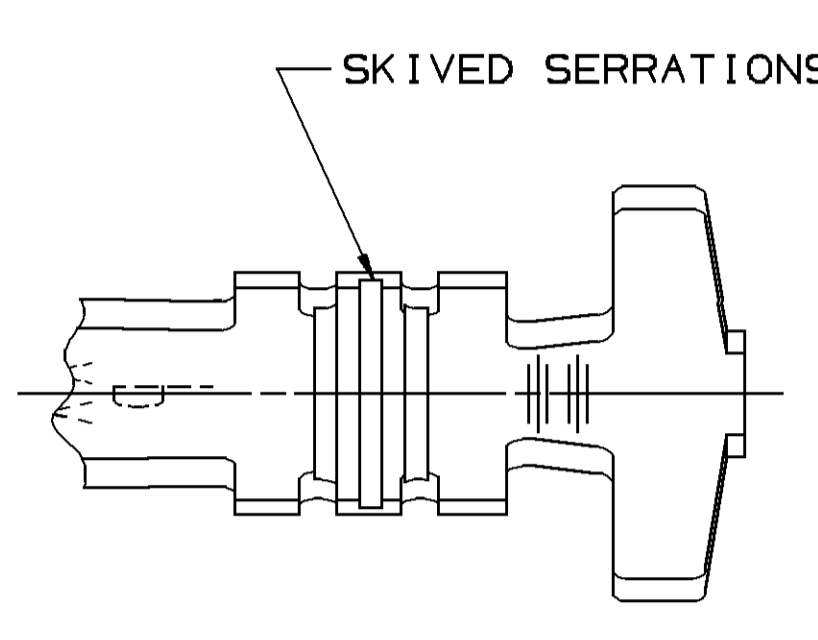
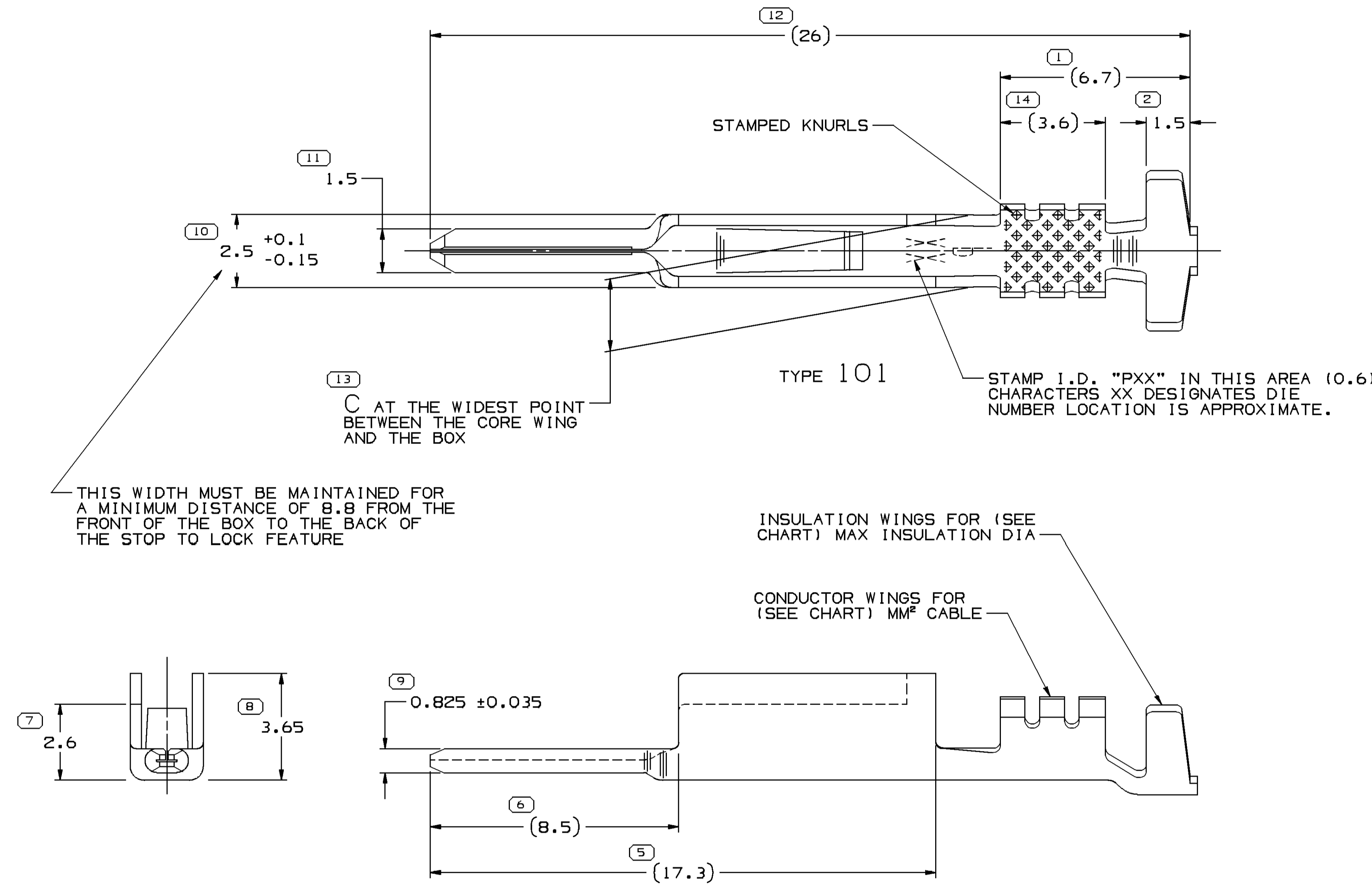


SYMBOL DEFINITION		TOTAL NO OF INSPECTIONS REQUIRED		MISSING SYMBOL NUMBER	
A DIMENSION WITHOUT AN INSPECTION REPORT SYMBOL DOES NOT REQUIRE INSPECTION. IT MAY BE CONTROLLED ON THE INDIVIDUAL COMPONENT DRAWING.			19		19
		LAST NO. USED	19		

DWS STATUS				REVISION HISTORY				AUTH		DR		APVD/APVD	
DATE	STG	REV	W/P	CHG	ZONE								
26NO96	-	-	-	-	-	ALL PARTS-PID CREATED FROM SEPARATE PID'S NO REV UPDATED REQ'D 15317765		960005	WTP	WTP	WTP	WTP	
26NO96	-	-	-	-	-	ALL ACTIVE PARTS-REVISED-REV LEVELS ADVANCED		176842	WTP	WTP	WTP	WTP	
13JA96	-	-	-	-	-	12047581-12059894-12191889 & 15317765 REVISED-REV LEVELS ADVANCED		176913	EMB	EMB	AUG		
11MR97	-	-	-	-	-	15317765 REVISED-REV LEVEL ADVANCED		178061	MVA	MVA	MVA		
08MY97	-	-	-	-	-	ALL ACTIVE PARTS-REVISED-NO REV UPDATE REQ'D		177551	PHC	PHC	JVS		
08MY97	-	-	-	-	-	15355307-RELEASED TO REV "A"		970005	PHC	PHC	JVS		
15JL97	-	-	-	-	-	12191889-PID UPDATED- NO REV UPDATE REQ'D		181156	EMB	EMB	RPO		
18JA05	R	01	-	-	-	REVISED MATERIAL SPEC		262972	MM	MM	BB		
30MR05	R	02	-	-	-	ALL ACTIVE PARTS - TOLERANCE ON DIM #4 WAS ±0.1		265258	LMB	LMB	MM		
19MY05	R	03	-	-	-	ALL ACTIVE PARTS - UPDATED PDM ATTRIBUTES		268260	6PS	JVM	BDG		
16AU05	R	04	-	-	-	ALL ACTIVE PARTS - ADDED STAMP I.D. LABEL		270616	RTV	FRG	MKM		
22NO05	R	05	-	-	-	12191889 - RESTRICTED AND ADDED PROCESS NOTE # 2, 15305307 - RESTRICTED AND CABLE SIZE WAS 0.35-0.5		274640	MDH	JVM	BDG		
15JA09	R	06	-	-	-	ALL ACTIVE PARTS - ADDED LABEL AND DIM 2.5 +0.1/-0.15 WAS 2.5 ±0.1		407112	SCR	ECB	BEM		
08AP09	R	07	-	-	-	12040993 - OBSOLETE & REPLACED BY 12047581		407299	JTZ	FKV	RAP		
10JA11	R	08	-	-	-	ALL ACTIVE PARTS- UPDATED PDM ATTRIBUTES		413005	LHT	LHT	LHT		
05FE13	R	09	-	-	-	ALL ACTIVE PARTS- UPDATED PDM ATTRIBUTES		421357	JRV	FRE	JRV		



CARRIER STRIP VIEW

- NOTES
- UNLESS OTHERWISE SPECIFIED AND/OR INDICATED:
 - DIMENSIONS ARE TO FACE OF VIEW SHOWN AND AUTOMATICALLY ROUNDED BY COMPUTER FOR INSPECTION (SEE MATH MODEL FOR PRECISE DIMENSIONS). FOR ALL OTHER DIMENSIONS NOT SHOWN BUT REQUIRED FOR TOOL BUILD, SEE MATH MODEL FOR PRECISE TOOL PATH DATA.
 - REFERENCE MATING COMPONENTS OR EQUIVALENT:
 - TERMINAL 12047767
 - MAX INSULATION CRIMP 3 HIGH X 2.6 WIDE.

- PROCESS NOTE
- LOOSE PLATING AND METAL 'FLAKES' TO BE WASHED FROM TERMINAL.
 - 12191889 IS SAME AS 12059894 BUT TERMINAL HAS TO BE WASHED AT MAKE DIE OR PROCESSED WITH NYOSIL-M25 LUBRICANT.

PART NO	REV	MAT'L SIZE	MAT'L SPEC	PART NO	REV	RESTRICTED USAGE	PROCESS NOTES	MAT'L SPEC	SIZE (MM²)	I.D. CABLE	DIA	TYPE	A	B	C
		0.381 X 34.52		15305307	A8	RESTRICTED		M3617383 C42500 1/2 HD	2(0.35, 0.6)	226	103	4.4	3.2	2.55	
				15317765	D7			M3617383 C42500 1/2 HD	0.35-0.5	21	1.1-1.3	101	2.5	2.4	2.55
				12191889	D8	RESTRICTED	2	M3617383 C42500 1/2 HD	0.35-0.5	21	2.4-1.47	101	3.8	2.4	2.55
				12124731	B		1	M3617383 C42500 1/2 HD	0.5-0.8	19	2.4-1.84	101	4.4	3.2	2.55
		0.381 X 34.52		12059894	F7			M3617383 C42500 1/2 HD	0.35-0.5	21	2.4-1.47	101	3.8	2.4	2.55
		0.381 X 34.52		12047686	D			P3607ABN	0.35	22	1.86 MAX	102	3.6	2.2	2.6
12040993	J6	0.381 X 34.52	M14033B3	12047581	J7			M3617383 C42500 1/2 HD	0.5-0.8	19	2.4-1.84	101	4.4	3.2	2.55

DELPHI
 DELPHI PACKARD ELECTRICAL/ELECTRONIC ARCHITECTURE
 WARREN, OH
 COPYRIGHT 1996 DELPHI CORPORATION AND/OR ITS AFFILIATES. ALL RIGHTS RESERVED.
 THIS DRAWING IS THE PROPERTY OF DELPHI CORPORATION AND CONTAINS DELPHI CONFIDENTIAL INFORMATION. THE REPRODUCTION, DISTRIBUTION AND UTILIZATION OF THIS DOCUMENT OR ITS CONTENTS OR DATA, AS WELL AS COMMUNICATION OF ANY CONTENT TO OTHERS, WITHOUT EXPRESS AUTHORIZATION, IS PROHIBITED.

DATE: 05-FEB-13 Time: 15:53

APVD1 W. TURNBULL 22NO96
 APVD2 W. TURNBULL 22NO96
 APVD3 M. CHUPAK 22NO96
 APVD4

SUBSTANCES OF CONCERN AND RECYCLED CONTENT, PER DELPHI (0944901)

DRAWING NUMBER: TAXI TERM M/W/P 150

DRAWING NUMBER: 12040995

SIZE: A0 SCALE: 10:1 FRM NO: 1 OF 1 SHEET NO: 1 OF 3 REV: R 09 -

PART DRAWING	
STITLE	DISTR CODE
VOLUME (OMP)	D
UNLESS OTHERWISE SPECIFIED	
THIS DOCUMENT IS IN ACCORDANCE WITH ASME Y14.5M-1994 AS MODIFIED BY THE DIMENSIONAL DIMENSIONING AND TOLERANCING ADDENDUM-2001. SEPARATE PATTERNS OF FEATURES MAY BE SHOWN SEPARATELY, IRRESPECTIVE OF DATUM REFERENCES.	
ALL DIMENSIONS ARE IN MILLIMETERS	
THIRD ANGLE PROJECTION	DO NOT SCALE USE MATH DATA