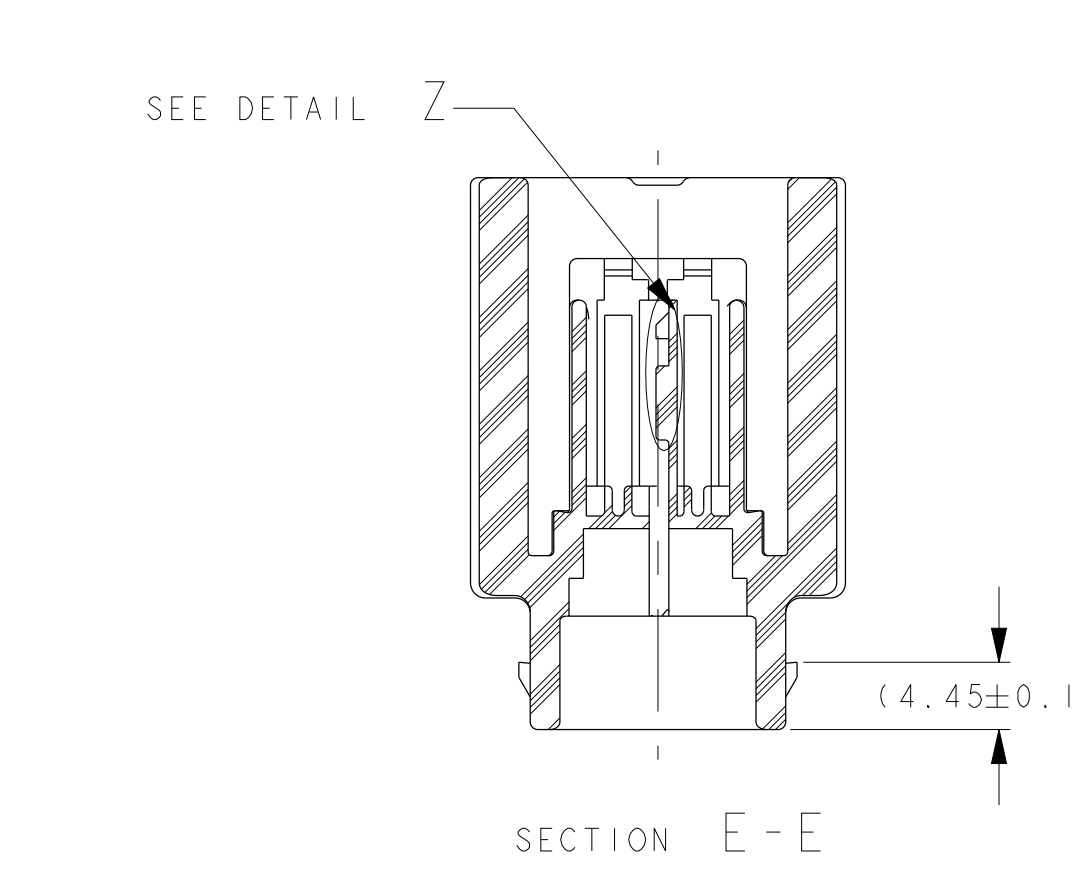
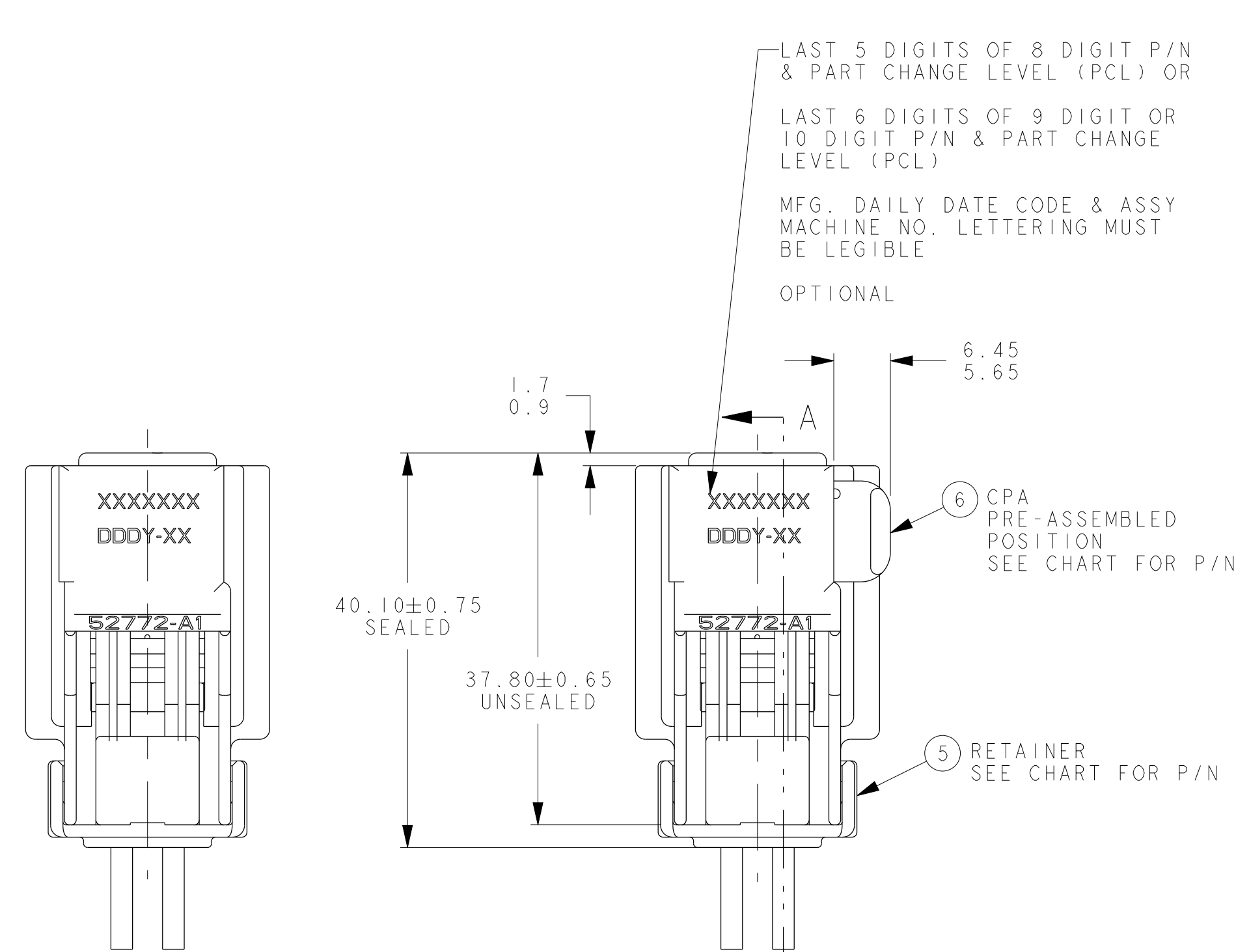
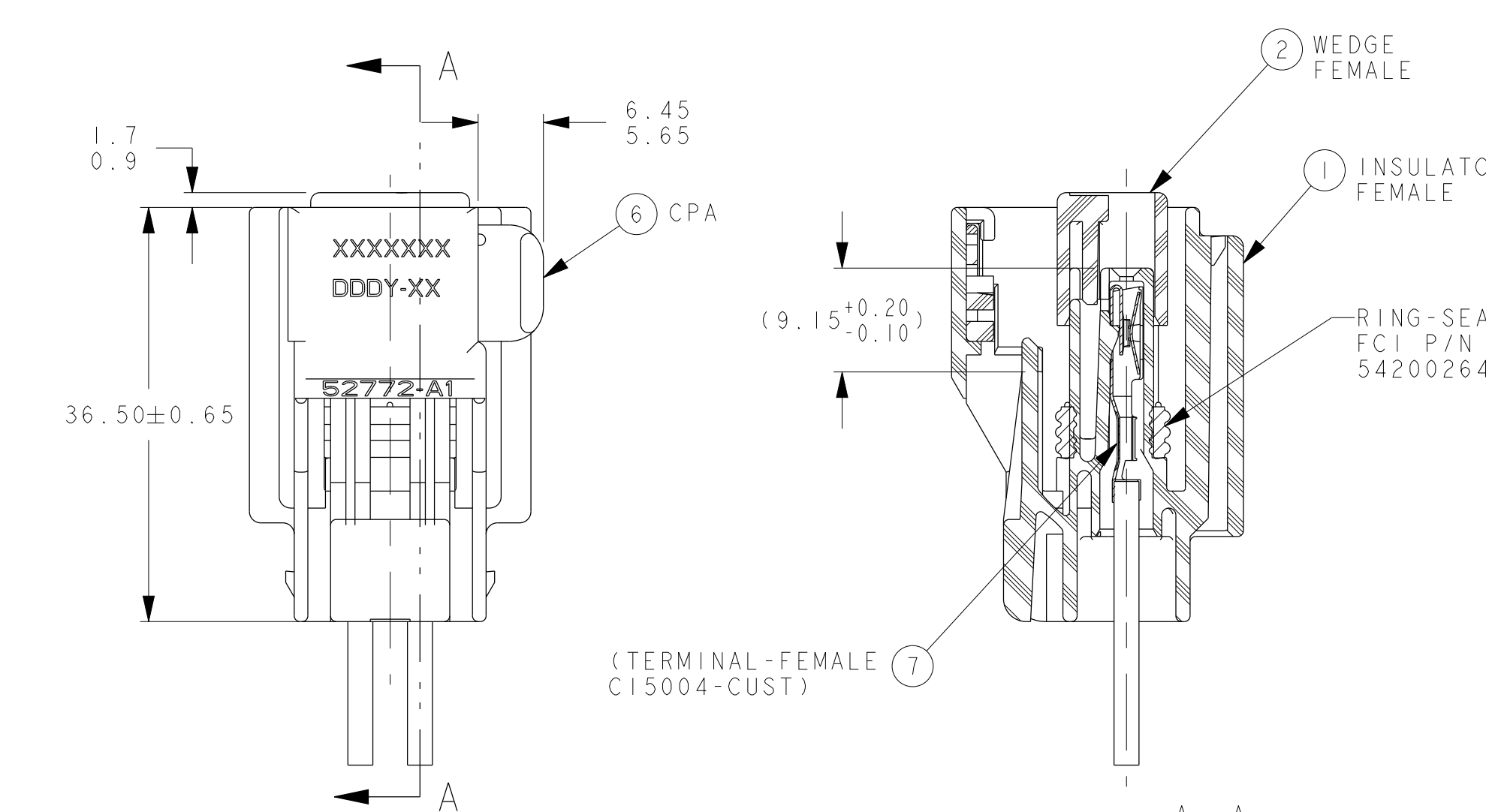
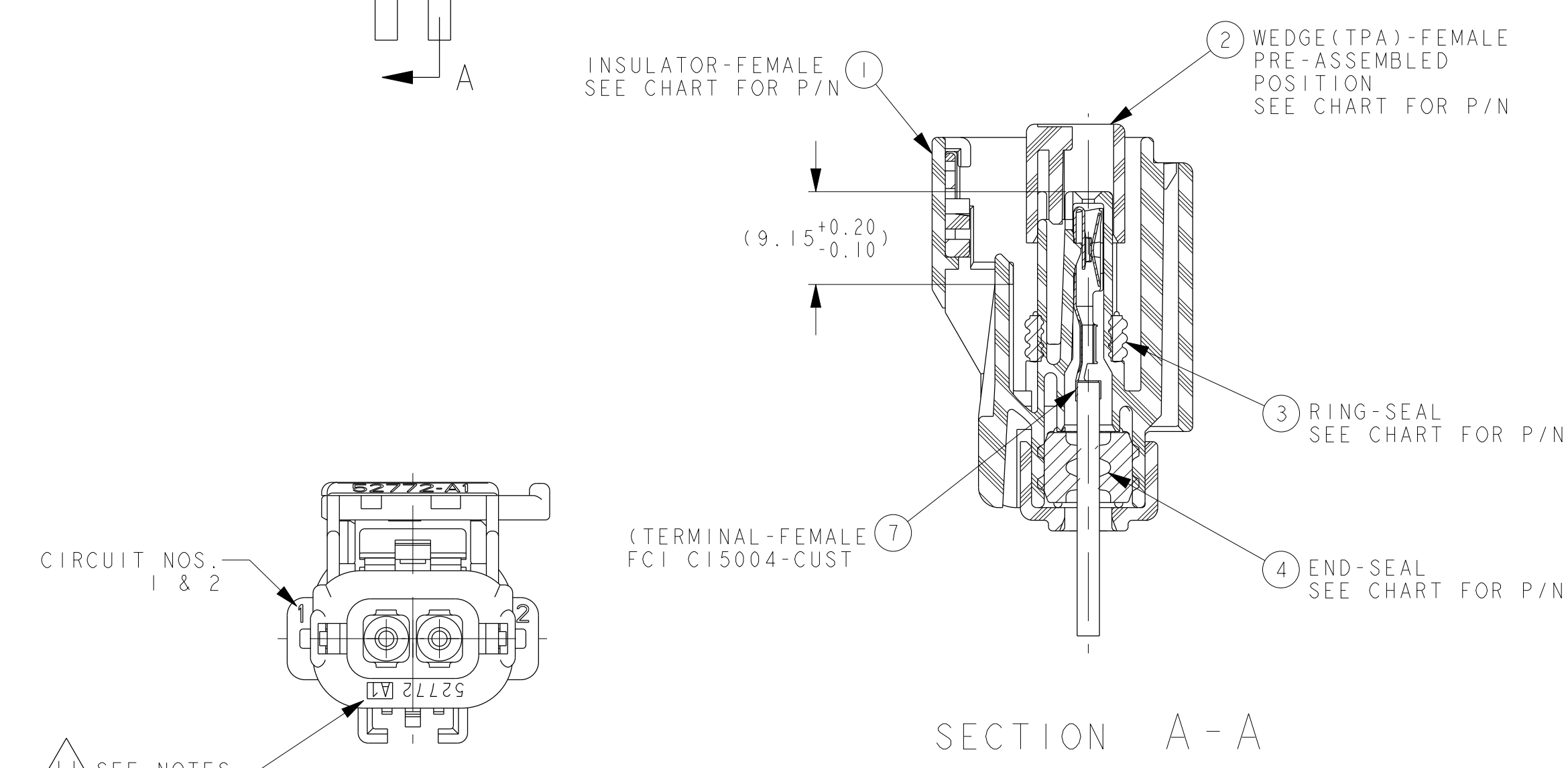


POLARIZATION OPTIONS
FULL SIZE
SHOWN W/CPA



FOR REFERENCE ONLY
INSULATOR VIEWS

WITHOUT CPA
SEE P/N CHART
ALL DIMENSIONS SAME
AS WITH CPA



PARTIALLY SEALED ASSEMBLY VIEWS
SEE PART NUMBER CHART

- NOTES:
- QUALITY ASSURANCE REQUIREMENTS PER CHRYSLER PS-7300: 1 SPC DATA REQUIRED
 - ENGINEERING APPROVAL OF SUPPLIER SAMPLES IS REQUIRED PRIOR TO AUTHORIZATION OF PART PRODUCTION
 - CHANGES IN DESIGN COMPOSITION OR PROCESSING FROM THE PART PREVIOUSLY APPROVED FOR PART PRODUCTION REQUIRES PRIOR ENGINEERING APPROVAL
 - WIRING FABRICATORS MUST PURCHASE FROM SOURCES SHOWN
 - ALL THE SEALED CONNECTOR APPLICATIONS MUST BE USED WITH CHRYSLER WIRE SPEC. MS-8886, MS-9502 OR ISO 6722 EQUIVALENTS THIN WALL X-LINK ONLY
A- ASSEMBLIES WITH FCI P/N'S 54200239 OR 54200240 END SEALS MUST BE USED WITH 20 TO 14AWG OR ISO EQUIVALENTS WIRES WITH INSULATION Ø1.10 TO Ø2.77 O.D.
B- ASSEMBLIES WITH FCI P/N'S 54200241 OR F480510 END SEALS MUST BE USED WITH 14 TO 10AWG OR ISO EQUIVALENTS WIRES WITH INSULATION Ø2.50 TO Ø4.09 O.D.
 - FCI P/N'S 54200238 RING SEAL, 54200240 AND F480510 END SEALS BAKED AT 450°F FOR 5 HOURS TO DRIVE OFF VOLATILES
 - ALL NON-SEALED APPLICATIONS MAY BE USED WITH ANY WIRE INSULATION 22 TO 10AWG OR ISO EQUIVALENTS (EXCEPT AS NOTED BELOW) PROVIDED THAT A TERMINAL GRIP FOR THAT CORE/INSULATION IS SHOWN ON C15004-CUST FEMALE TERMINAL DRAWING
MAX. INSULATION CRIMP WIDTH = 4.50
MAX. INSULATION CRIMP HEIGHT = 4.50
MAX. INSULATION DIA = 4.09 (10 GA THIN WALL)
 - USE WITH FOLLOWING APPLICABLE COMPONENTS AS NEEDED:
CAVITY PLUG FCI P/N 54200005 (CHRYSLER P/N 56038308)
DOUBLE X-MAS TREE CLIP CHRYSLER P/N 04707091
SINGLE X-MAS TREE CLIP CHRYSLER P/N 04825797
2.80MM APEX FEMALE TERMINAL PER 15004-CUST SYMMETRICAL ABOUT CENTERLINE FOR 180° ORIENTATION
 - DIRECT CONNECT INTERFACE PER FCI G36002 (CHRYSLER 4707027)
 - TEST METHOD PER SAE/JUSCAR-2 REV 5, CONNECTOR ENGAGE & DISENGAGE WITH LATCH DEPRESSED FORCE NOT TO EXCEED 75N FOR THIS SYSTEM
CPA SEATING FORCES - 40N MAX
WEDGE SEATING FORCES - 100N MAX
X-MAS TREE CLIP INSERTION FORCE - 75N MAX

INDEX TYPE	COLOR	SEALED/UNSEALED	MATING ASSEMBLY PART NUMBERS					
			FC1	CUSTOMER	YNA	FC1		
D	NATURAL	UNSEALED	54200203N	N/A	N/A	55200209	DIRECT CONNECT APPLICATION	N/A
		SEALED	54200203	C 04687920	7283-5373	55200209	DIRECT CONNECT APPLICATION	N/A
		SEALED	F70510	N/A	N/A	F380510	N/A	N/A
		SEALED	54200262	N/A	N/A	54200276	DIRECT CONNECT APPLICATION	N/A
	TAN	SEALED	54200209N	N/A	N/A	55200205	DIRECT CONNECT APPLICATION	N/A
		SEALED	54200209	C 04687916	7283-5375	55200205	DIRECT CONNECT APPLICATION	N/A
		SEALED	54200202N	N/A	N/A	55200208	DIRECT CONNECT APPLICATION	N/A
		SEALED	54200202	C 04687919	7283-5372-10	55200208	DIRECT CONNECT APPLICATION	N/A
	DK GREY	SEALED	54200208N	N/A	N/A	55200204	DIRECT CONNECT APPLICATION	N/A
		SEALED	54200208	C 04687914	7283-5374-10	55200204	DIRECT CONNECT APPLICATION	N/A
		SEALED	54200208N	N/A	N/A	55200204	DIRECT CONNECT APPLICATION	N/A
		SEALED	54200208	C 04687914	7283-5374-10	55200204	DIRECT CONNECT APPLICATION	N/A
C	SEALED	54200208N	N/A	N/A	55200204	DIRECT CONNECT APPLICATION	N/A	
	SEALED	54200208	C 04687914	7283-5374-10	55200204	DIRECT CONNECT APPLICATION	N/A	
	SEALED	54200208N	N/A	N/A	55200204	DIRECT CONNECT APPLICATION	N/A	
	SEALED	54200208	C 04687914	7283-5374-10	55200204	DIRECT CONNECT APPLICATION	N/A	
B	SEALED	54200208N	N/A	N/A	55200204	DIRECT CONNECT APPLICATION	N/A	
	SEALED	54200208	C 04687914	7283-5374-10	55200204	DIRECT CONNECT APPLICATION	N/A	
	SEALED	54200208N	N/A	N/A	55200204	DIRECT CONNECT APPLICATION	N/A	
	SEALED	54200208	C 04687914	7283-5374-10	55200204	DIRECT CONNECT APPLICATION	N/A	
A	SEALED	54200208N	N/A	N/A	55200204	DIRECT CONNECT APPLICATION	N/A	
	SEALED	54200208	C 04687914	7283-5374-10	55200204	DIRECT CONNECT APPLICATION	N/A	
	SEALED	54200208N	N/A	N/A	55200204	DIRECT CONNECT APPLICATION	N/A	
	SEALED	54200208	C 04687914	7283-5374-10	55200204	DIRECT CONNECT APPLICATION	N/A	

FCI P/N'S	UNSEALED				SEALED			
	W/O CPA	W/CPA	W/CPA	W/O CPA	W/O CPA	W/CPA	W/CPA	W/O CPA
54200251N								
54200200N								
54200201N								
54200202N								
54200203N								
54200204N								
54200205N								
54200206N								
54200207N								
54200208N								
54200209N								
54200210N								
54200211N								
54200212N								
54200213N								
54200214N								
54200215N								
54200216N								
54200217N								
54200218N								
54200219N								
54200220N								
54200221N								
54200222N								
54200223N								
54200224N								
54200225N								
54200226N								
54200227N								
54200228N								
54200229N								
54200230N								
54200231N								
54200232N								
54200233N								
54200234N								
54200235N								
54200236N								
54200237N								
54200238N								
54200239N								
54200240N								
54200241N								
54200242N								
54200243N								
54200244N								
54200245N								
54200246N								
54200247N								
54200248N								
54200249N								
54200250N								

FCI P/N'S	UNSEALED				SEALED			
	W/O CPA	W/CPA	W/CPA	W/O CPA	W/O CPA	W/CPA	W/CPA	W/O CPA
54200251N								
54200200N								
54200201N								
54200202N								
54200203N								
54200204N								
54200205N								
54200206N								
54200207N								
54200208N								
54200209N								
54200210N								
54200211N								
54200212N								
54200213N								
54200214N								
54200215N								
54200216N								
54200217N								
54200218N								
54200219N								
54200220N								
54200221N								
54200222N								
54200223N								
54200224N								
54200225N								
54200226N								
54200227N								
54200228N								
54200229N								
54200230N								
54200231N								
54200232N								
54200233N								
54200234N								
54200235N								
54200236N								
54200237N								
54200238N								
54200239N								
54200240N								
54200241N								
54200242N								
54200243N								
54200244N								
54200245N								
54200246N								
54200247N								
54200248N								
54200249N								
54200250N								

- CPA SEATING FORCES - 40N MAX
WEDGE SEATING FORCES - 100N MAX
X-MAS TREE CLIP INSERTION FORCE - 75N MAX
- FCI SUPPLIER CODE 52772, MOLD & CAVITY I.D. SIGNIFIES TOOL OWNERSHIP FOR REFERENCE
 - ANNUAL QUALITY REQUIREMENTS: IT IS PERMISSIBLE TO PERFORM CONTINUOUS CONFORMANCE PER FCI SPECIFICATION 840A-001 INSTEAD OF ANNUAL LAYOUT 8 ANNUAL PV REQUIREMENTS OF QS-9000 SECTION 2 & SAE/JUSCAR-2
- USE INDEX A, BLACK SEALED AND UNSEALED FOR ALL AFFECTED INSULATOR CAVITIES
- CURRENT PRODUCTION TOOLING
- POINT OF LAST RUN
 - SERVICE TOOLING GUIDE INFORMATION PER APEX TRAINING MANUAL
 - FCI P/N 54200259 NOT PRODUCED USE FCI P/N 55200200
 - MUST CONFORM TO THE FOLLOWING CHRYSLER/YNA STANDARDS:
SAE/JUSCAR-2 REV 5 EXCEPT AS NOTED ABOVE
PS-7300 QUALITY ASSURANCE (CHRYSLER)
PS-4480-CEK-4 (CHRYSLER) PART I.D., (G-009-2 YNA)
PS-9065 REGRIND (CHRYSLER), (G-009-3 YNA)
PS-9227 DATA EXCHANGE (CHRYSLER), (G-008-7 YNA)
PS-10052 INFORMATION SECURITY (CHRYSLER)
 - THIS DRAWING (HS9000) REPLACES CHRYSLER DRAWING NUMBER 04687874 LEVEL "P" CHRYSLER DRAWING IS FOR REFERENCE ONLY
 - FCI P/N WITH SUFFIX "N" DESIGNATES ASSEMBLIES W/O CPA
 - MUST BE USED WITH FLUOROSILICONE END SEAL P/N 54200265, RETAINER P/N 54200234 & PROPER GAGE TEFLOON WIRES FOR FLEX FUEL OR DIESEL FUEL APPLICATIONS. ASSEMBLE TERMINALS THROUGH RETAINER & ENDSEAL PRIOR TO ASSEMBLING INTO TERMINAL CAVITY

CUSTOMER LEGENDS:
CHRYSLER: C
FORD: F
GENERAL MOTORS: GM
YAZAKI: NA: Y

12-01346	18	APPLICABLE WIRE NOTES REVISED FOR ISO 6722 EQUIVALENTS WIRE APPLICATION FOR 54200241 REVISED FROM 14 TO 10AWG
12-01025	E10	CONNECTOR ASSEMBLY P/N'S F470510 AND END SEAL P/N F480510 ADDED FOR TEMP CLASS 4 AND 10/12AWG APPLICATION, ASSEMBLY P/N CHARTS UPDATED & NOTES REVISED
12-00661	ALL	REVISED AND REDRAWN IN THIS SEE REV 01 FOR PREVIOUS CHANGES.
ENR-NO.	ZONE	CHANGE DESCRIPTION
APR 28		
REVISED BY	DATE	DESCRIPTION
HS9000	3-24-22	REVISED FOR ISO 6722 EQUIVALENTS WIRE APPLICATION FOR 54200241 REVISED FROM 14 TO 10AWG
DESIGNED BY	DATE	DESCRIPTION
APPROVED BY	DATE	DESCRIPTION
FILE NAME	FILE NO.	FILE DATE
12-01346	18	3-24-22