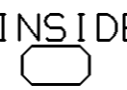
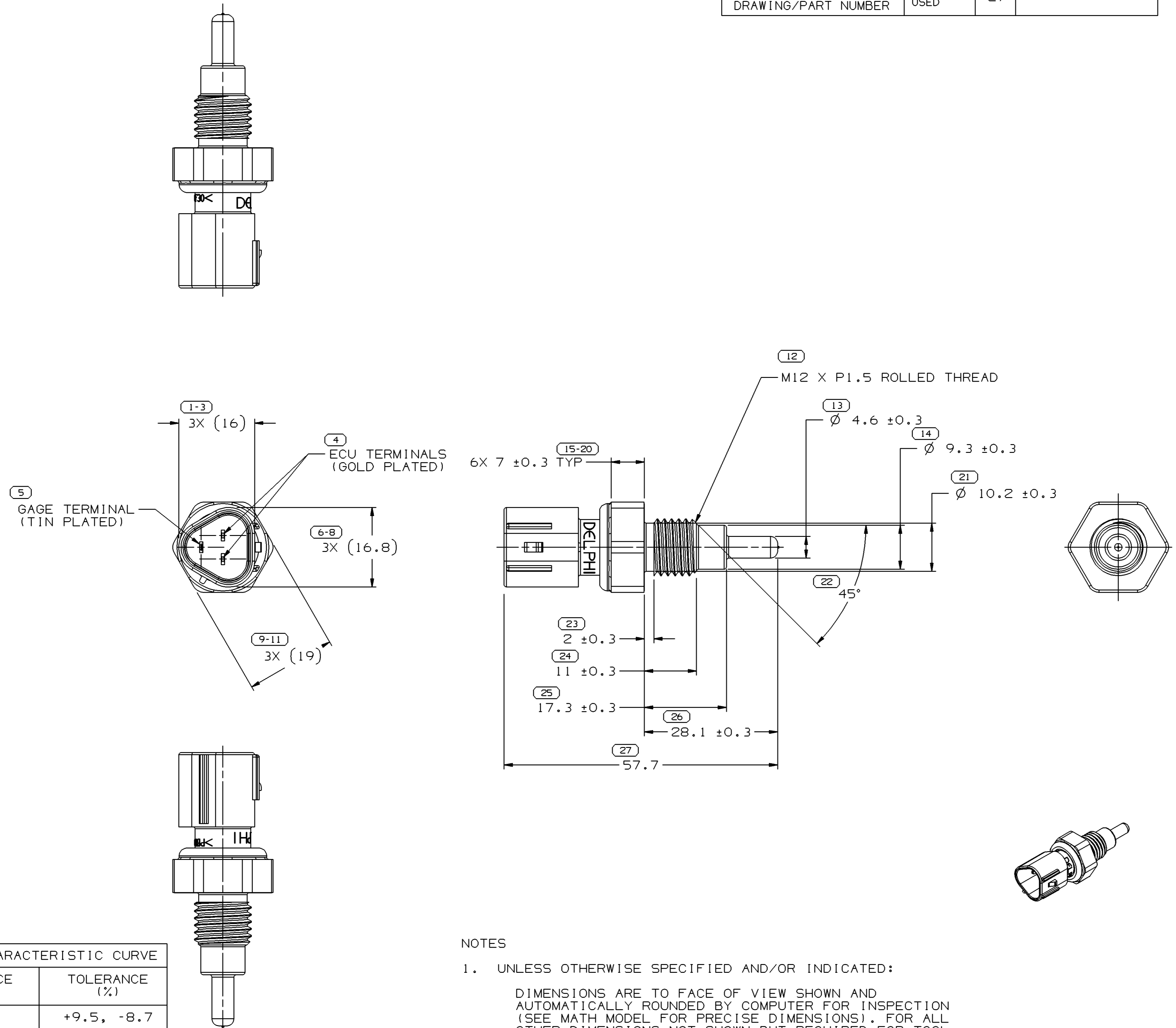


SYMBOL DEFINITION		MISSING NUMBERS	
THE NUMBER INSIDE THE SYMBOL 	TOTAL NO. OF SYMBOLS ON DRAWING	16	
CORRESPONDS TO THE NUMBER ON THE INSPECTION REPORT FOR THIS DRAWING/PART NUMBER	LAST NO. USED	27	

DWG STATUS					ZONE	REVISION HISTORY	AUTH	DR	APVD1	APVD2
DATE	STG	REV	N/P	CHG						
06DE02	R	A5	-	-		REVISED	234392	TLD	TLD	TOK
13N003	R	A6	-	-		UPDATED PDM ATTRIBUTES	248712	EES	EES	BA
05MY05	R	A7	-	-		UPDATED PDM ATTRIBUTES	267790	CCV	FRG	RLA



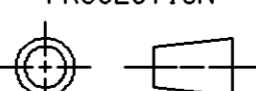
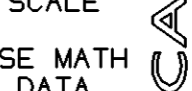
TEMPERATURE (°C)	RESISTANCE (kΩ)	TOLERANCE (%)
-20	15.06	+9.5, -8.7
20	2.435	+5.4, -5.9
80	0.3146	+3.2, -3.0
110	0.1420	+2.0, -2.0

TEMPERATURE (°C)	RESISTANCE (Ω)	TOLERANCE (Ω)
50	176	+35, -35
115	20	+1.5, -1.5

NOTES

- UNLESS OTHERWISE SPECIFIED AND/OR INDICATED:
DIMENSIONS ARE TO FACE OF VIEW SHOWN AND AUTOMATICALLY ROUNDED BY COMPUTER FOR INSPECTION (SEE MATH MODEL FOR PRECISE DIMENSIONS). FOR ALL OTHER DIMENSIONS NOT SHOWN BUT REQUIRED FOR TOOL BUILD, SEE MATH MODEL FOR PRECISE TOOL PATH DATA.
- REFERENCE MATING COMPONENTS OR EQUIVALENT:
SUMITOMO ELECTRIC INDUSTRIES, LTD.
PART NUMBER 6189-0486

PROCESS SENSITIVE DIMENSION	
DIMENSIONS ENCLOSED IN () INDICATE REFERENCE DIMENSIONS AND NO TOLERANCE LIMITS ARE ESTABLISHED	
DIMENSIONAL RANGE (MM)	CHART E
FROM 0 TO 20	> 30
20 TO 30	> 70
30 TO 70	> 100
70 TO 100	> 100
TOLERANCE UNLESS OTHERWISE SPECIFIED	
±0.15	±0.2
±0.3	±0.4
±0.5	±0.5
ANGULAR TOLERANCE ±2°	

DWG TYPE		PART DRAWING	
STYLE			
VOLUME (CM³)		DISTR CODE	
D			
UNLESS OTHERWISE SPECIFIED			
THIS DOCUMENT IS IN ACCORDANCE WITH ASME Y14.5M-1994 AS AMENDED BY THE GM GLOBAL DIMENSIONING AND TOLERANCING ADDENDUM - 1997. ALL GEOMETRIC TOLERANCES AND RELATED DATUMS APPLY RFS. RULE #1 PERFECT FORM AT MMC DOES NOT APPLY WHEN RELATIONSHIP BETWEEN FEATURES IS ESTABLISHED BY ORIENTATION OR LOCATION TOLERANCES. SEPARATE POSITION CALLOUTS MAY BE GAGED SEPARATELY, REGARDLESS OF DATUM REFERENCE. ALL DIMENSIONS ARE IN MILLIMETERS			
REFERENCE		THIRD ANGLE PROJECTION	
DO NOT SCALE		USE MATH DATA	
			

DELPHI
DELPHI PACKARD ELECTRIC SYSTEMS
WARREN, OH

DR	DATE
APVD1 J. VAZQUEZ	18DE97
APVD2 J. VAZQUEZ	18DE97
APVD3 R. WILDER	18DE97
APVD4	
APVD5	
SUBSTANCES OF CONCERN AND RECYCLED CONTENT PER DELPHI 10949001	
MATERIAL SEE DRAWING	
DRAWING NAME ASM MISC SENSOR ASSEMBLY N/A	
DRAWING NUMBER 15336704	
SIZE A1	SCALE 2:1
FRAME NO 1 OF 1	SHEET NO 1 OF 1
STG R	REV A7
N/P -	