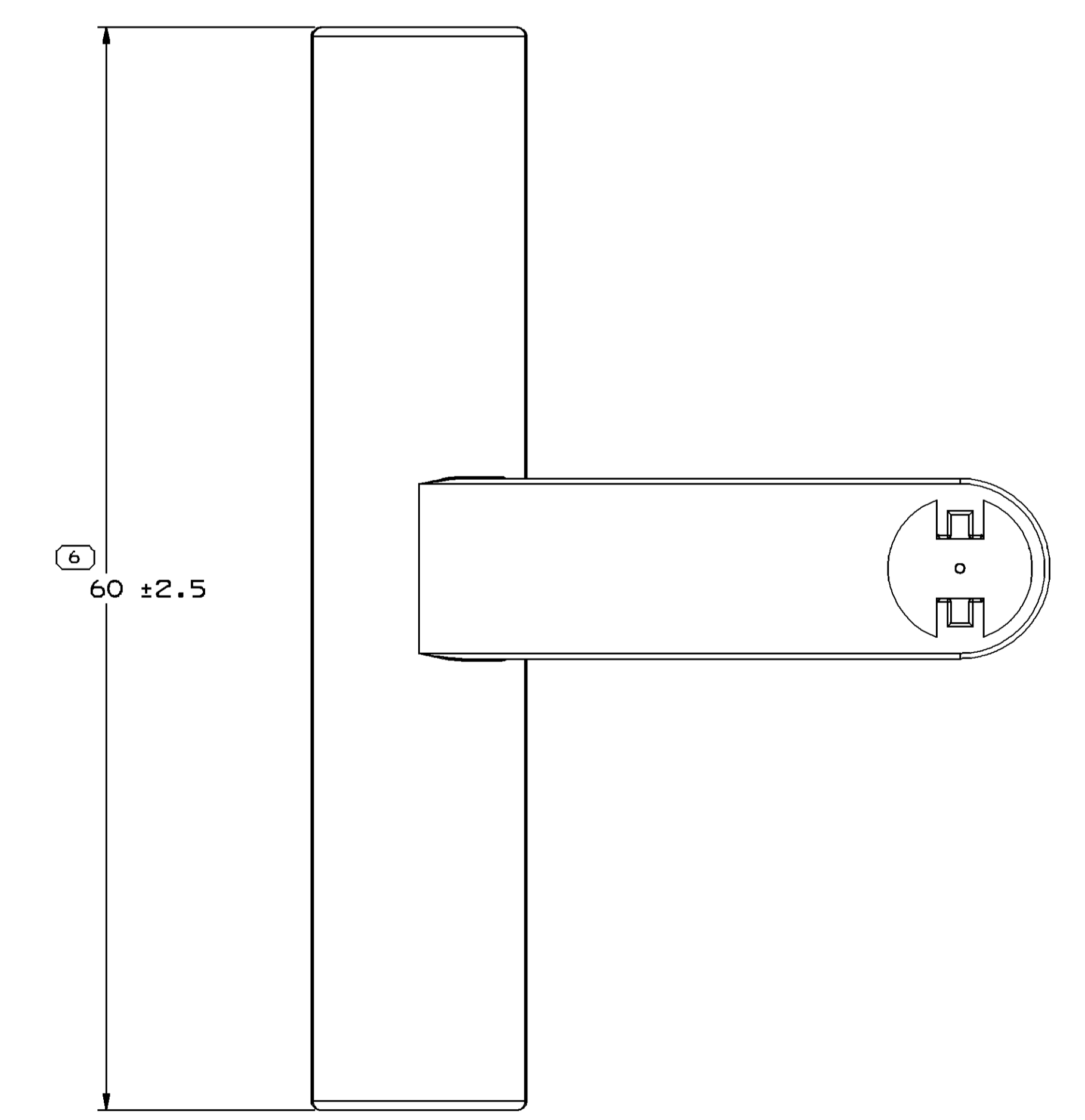
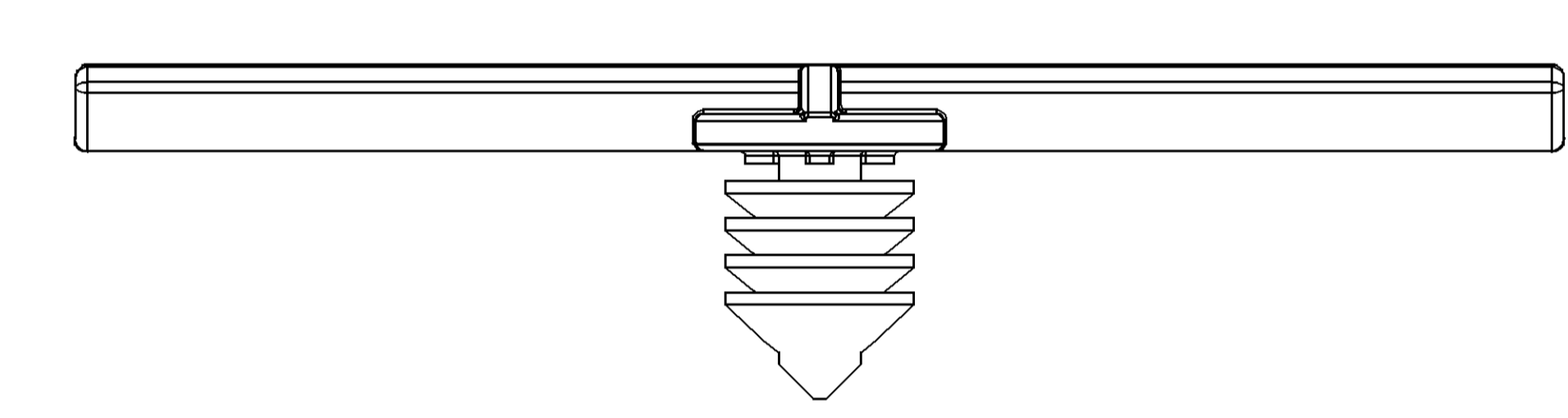
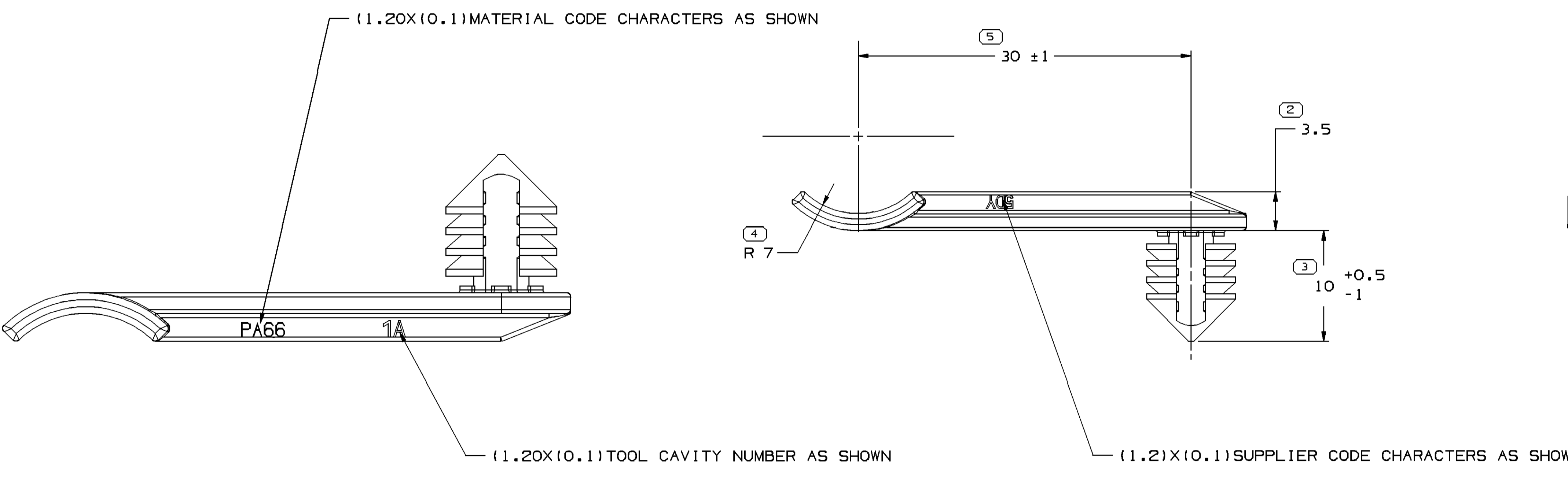
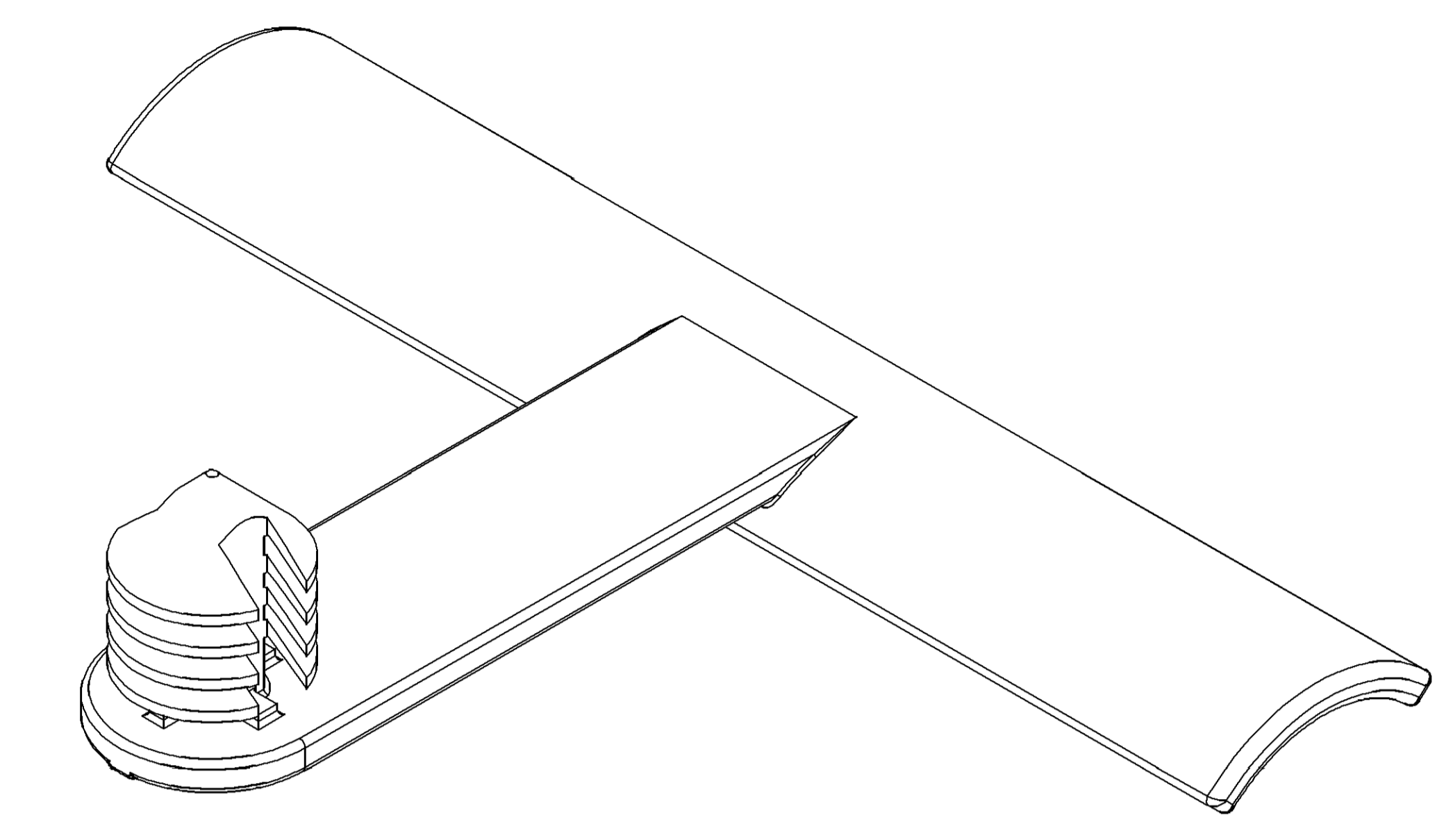
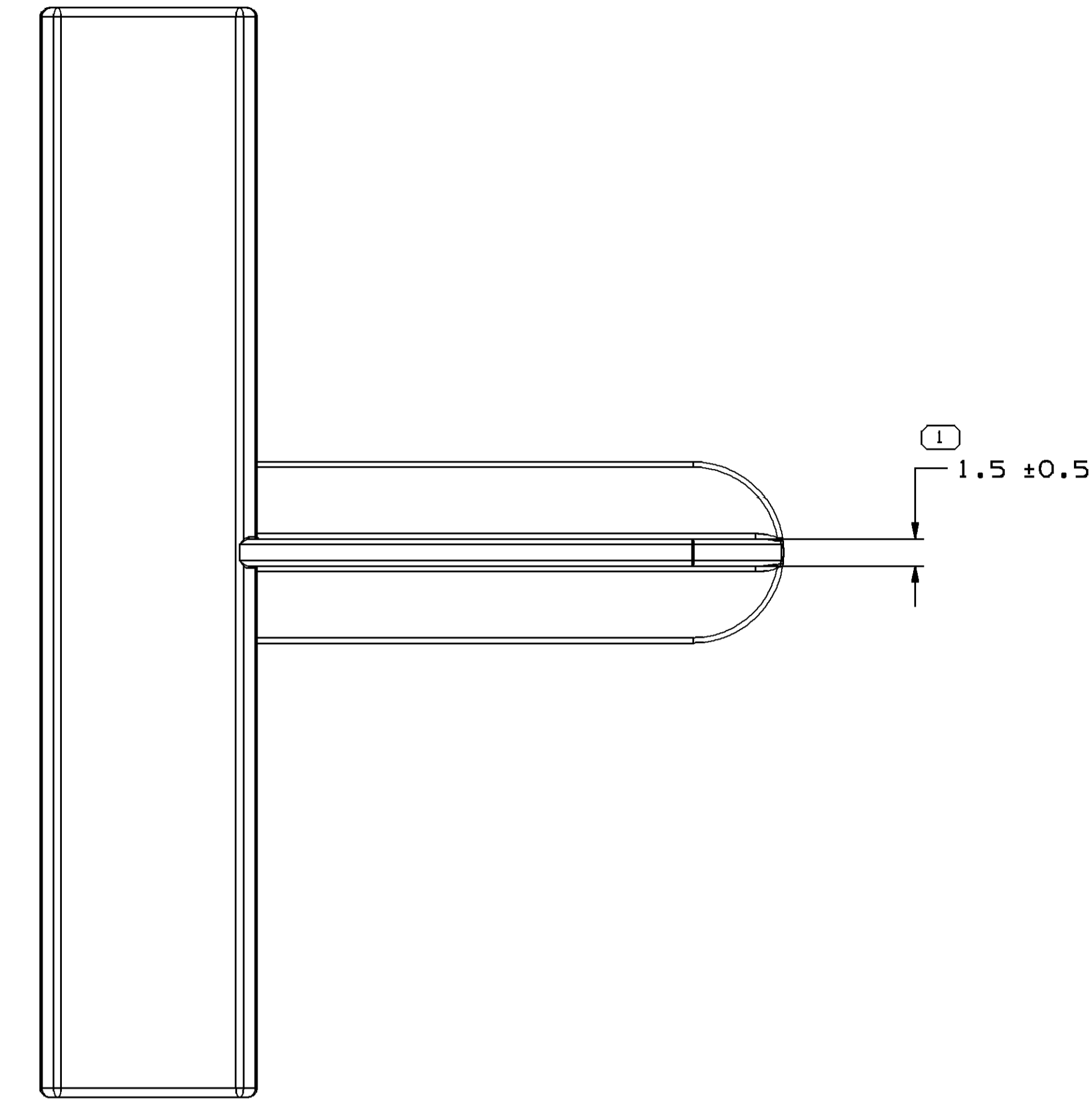


SYMBOL DEFINITION		MISSING SYMBOLS	
A DIMENSION WITHOUT AN INSPECTION REPORT SYMBOL DOES NOT REQUIRE INSPECTION. IT MAY BE CONTROLLED ON THE INDIVIDUAL COMPONENT DRAWING.	TOTAL NO OF INSPECTIONS REQUIRED	NO MISSING SYMBOL NUMBER	
	6		
	LAST NO. USED		
	6		

DWG STATUS					REVISION HISTORY					AUTH		
DATE	STG	REV	IN/P	CHG	ZONE							
15AP10	R	01	-	-		RELEASED				410599	JC	JWG/EZ



- NOTES
- UNLESS OTHERWISE SPECIFIED AND/OR INDICATED:
DIMENSIONS ARE TO FACE OF VIEW SHOWN AND AUTOMATICALLY ROUNDED BY COMPUTER FOR INSPECTION (SEE MATH MODEL FOR PRECISE DIMENSIONS). FOR ALL OTHER DIMENSIONS NOT SHOWN BUT REQUIRED FOR TOOL BUILD, SEE MATH MODEL FOR PRECISE TOOL PATH DATA.
 - MATING PANEL HOLE $\varnothing 6.5 \pm 0.2$

DIMENSIONAL RANGE (MM)	CHART III
FROM 0 TO 6	> 0 > 6 > 30 > 70 > 100 > 150 > 200 > 250 > 300
TO 6 TO 30	00 30 100 200 300 400
TOLERANCE UNLESS OTHERWISE SPECIFIED	
± 0.1 ± 0.2 ± 0.3 ± 0.4 ± 0.5 ± 0.6 ± 0.8 ± 1 ± 1.2	
ANGULAR TOLERANCE ± 2°	

PART DRAWING	
STYLE	1.82
VOLUME (QTY)	D
DISTR CODE	
UNLESS OTHERWISE SPECIFIED	
THIS DOCUMENT IS IN ACCORDANCE WITH ASME Y14.5M-1994 AS MODIFIED BY THE 3D MODEL DIMENSIONING AND TOLERANCING ADDENDUM-2003. SEPARATE PATTERNS OF FEATURES MAY BE DIMED SEPARATELY, REGARDLESS OF DATUM REFERENCES.	
ALL DIMENSIONS ARE IN MILLIMETERS	
REFERENCE	

DELPHI
DELPHI PACKARD ELECTRIC SYSTEMS
WARREN, OH

DR	DATE
APV01 JAY CAI	15A010
APV02 JIANWEI GUO	15AP10
APV03 ERIC ZHOU	15AP10
APV04	

SUBSTANCES OF CONCERN AND RECYCLED CONTENT PER DELPHI (0944900)

MATERIAL: POLYAMIDE BLEND

DRAWING NAME: MOUN CLIP

DRAWING NUMBER: 13827344

SIZE	SCALE	FRAME NO	SHEET NO	STG	REV	IN/P
A0	2:1	1	1 OF 1	R	01	-