
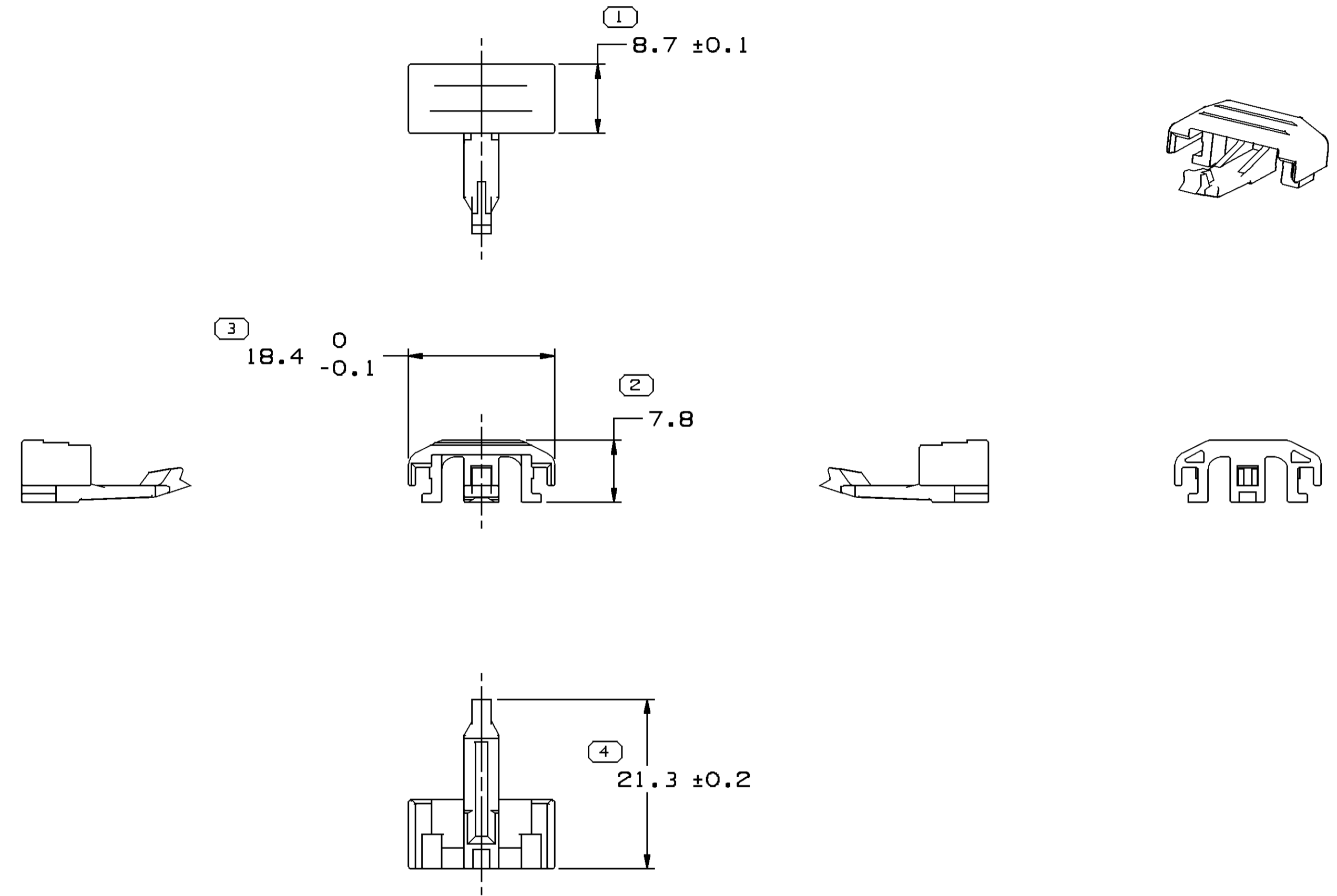



SYMBOL DEFINITION	
A DIMENSION WITHOUT AN INSPECTION REPORT SYMBOL  DOES NOT REQUIRE INSPECTION. IT MAY BE CONTROLLED ON THE INDIVIDUAL COMPONENT DRAWING.	TOTAL NO OF INSPECTIONS REQUIRED
	4
	LAST NO. USED
	4

MISSING SYMBOLS					DWG STATUS			ZONE	REVISION HISTORY				AUTH	DR	APVD 1	APVD 2
NO MISSING SYMBOL NUMBER	DATE	STG	REV	N/P	CHG	1	2		3	4						
	11SE07	R	01	-	-							405330		AK	AKH	




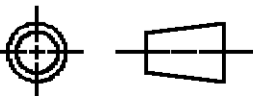
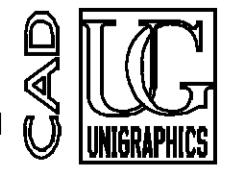
**NOTES**

- UNLESS OTHERWISE SPECIFIED AND/OR INDICATED:  
DIMENSIONS ARE TO FACE OF VIEW SHOWN AND AUTOMATICALLY ROUNDED BY COMPUTER FOR INSPECTION (SEE MATH MODEL FOR PRECISE DIMENSIONS). FOR ALL OTHER DIMENSIONS NOT SHOWN BUT REQUIRED FOR TOOL BUILD, SEE MATH MODEL FOR PRECISE TOOL PATH DATA.
- MATERIAL RECYCLING CODE PER ISO 11469. (1.0)X(0.1) CHARACTERS AS SHOWN TO BE LOCATED ON ANY EXTERIOR SURFACE.
- (1.0)X(0.1) DELPHI CORPORATE BRAND TO BE LOCATED ON ANY EXTERIOR SURFACE, PREFERABLY VISIBLE AT FINAL ASSEMBLY. OPTIONAL CONSTRUCTION FOR EXISTING TOOLING MAY BE "PED".
- PART TO BE FREE FROM FLASHES OR ANY MOLDING DEFECTS.

 PROCESS SENSITIVE DIMENSION

DIMENSIONS ENCLOSED IN ( ) INDICATE REFERENCE DIMENSIONS AND NO TOLERANCE LIMITS ARE ESTABLISHED

DIMENSIONAL RANGE (MM)		CHART E1									
FROM	TO	> 0	> 20	> 30	> 70	> 100	> 150	> 200	> 250	> 300	> 400
		±0.15	±0.2	±0.3	±0.4	±0.5	±0.6	±0.8	±1	±1.2	
TOLERANCE UNLESS OTHERWISE SPECIFIED											
ANGULAR TOLERANCE ±2°											

DWG TYPE PART DRAWING	
STYLE -	
VOLUME (CM <sup>3</sup> ) 0.561	DISTR CODE 
UNLESS OTHERWISE SPECIFIED THIS DOCUMENT IS IN ACCORDANCE WITH ASME Y14.5M-1994 AS AMENDED BY THE GM GLOBAL DIMENSIONING AND TOLERANCING ADDENDUM-2001. SEPARATE PATTERNS OF FEATURES MAY BE GAGED SEPARATELY REGARDLESS OF DATUM REFERENCES.	
ALL DIMENSIONS ARE IN MILLIMETERS	
REFERENCE	
THIRD ANGLE PROJECTION 	DO NOT SCALE USE MATH DATA 

**DELPHI**

DELPHI PACKARD ELECTRIC SYSTEMS  
WARREN, OH

DR	DATE					
APVD1 AMOL KHURANA	11SE07					
APVD2 ARUN KHATTAR	11SE07					
APVD3 ARUN KHATTAR	11SE07					
APVD4						
APVD5						
SUBSTANCES OF CONCERN AND RECYCLED CONTENT PER DELPHI 10949001						
MATERIAL PA6T/61/66						
DRAWING NAME LOCK TPA/CLIP						
DRAWING NUMBER 13660283						
SIZE A2	SCALE 2:1	FRAME NO 1 OF 1	SHEET NO 1 OF 1	STG R	REV 01	N/P -