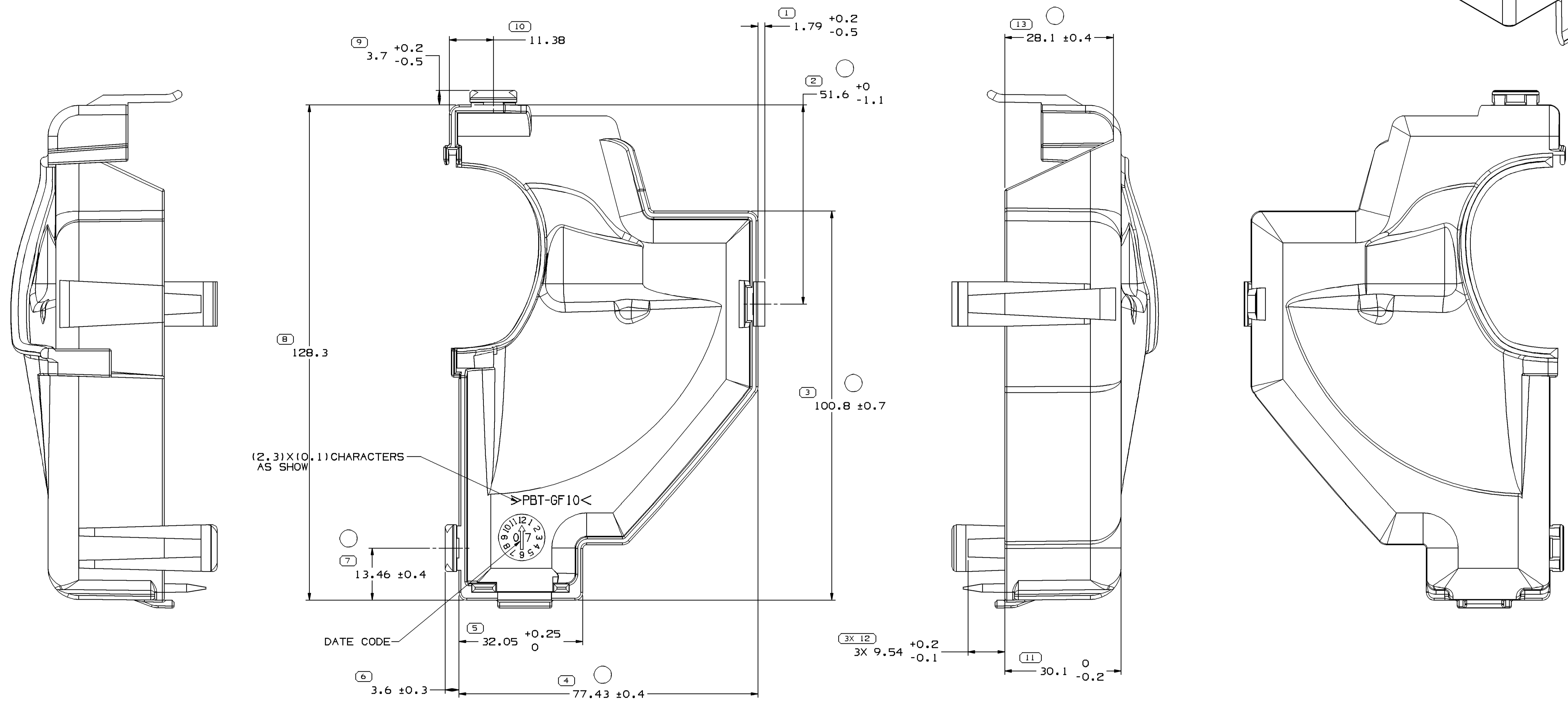
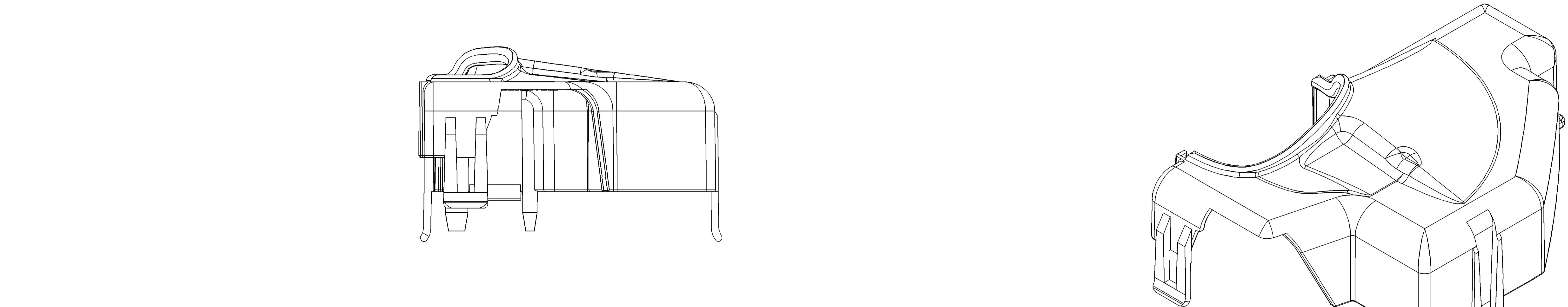


SYMBOL DEFINITION		TOTAL NO OF INSPECTIONS REQUIRED	MISSING SYMBOLS
A DIMENSION WITHOUT AN INSPECTION REPORT SYMBOL DOES NOT REQUIRE INSPECTION. IT MAY BE CONTROLLED ON THE INDIVIDUAL COMPONENT DRAWING.		15	NO MISSING SYMBOL NUMBER
LAST NO. USED		13	

DWG STATUS				REVISION HISTORY				AUTH	DR	AP/VD	AP/VD
DATE	STG	REV	N/P	CHG	ZONE						
11MY07	R	01	-	-		RELEASED		401412	WDZ	JWG	WDZ
19MY08	R	01	AA			DIM #2,#3,#13,#4,#7 TOLERANCE RELAX		404757	SBH	JWG	EZ



- NOTES
- UNLESS OTHERWISE SPECIFIED AND/OR INDICATED: DIMENSIONS ARE TO FACE OF VIEW SHOWN AND AUTOMATICALLY ROUNDED BY COMPUTER FOR INSPECTION (SEE MATH MODEL FOR PRECISE DIMENSIONS). FOR ALL OTHER DIMENSIONS NOT SHOWN BUT REQUIRED FOR TOOL BUILD, SEE MATH MODEL FOR PRECISE TOOL PATH DATA.
 - THIS PART USED IN ASSEMBLY 13642419.
 - MATERIAL RECYCLING CODE PER ISO 11469. (2.3)X(0.1) CHARACTERS AS SHOWN TO BE LOCATED ON ANY EXTERIOR SURFACE.
 - THIS PART ACCEPTS THE FOLLOWING COMPONENTS OR EQUIVALENT:
CONNECTOR 13642520
TPA 13642538

DWG TYPE PART DRAWING																				
VOLUME 10/1 29,635	DISTR CODE D																			
UNLESS OTHERWISE SPECIFIED THIS DOCUMENT IS IN ACCORDANCE WITH ASME Y14.5M-1994 AS MODIFIED BY THE IN-SOURCE DIMENSIONING AND TOLERANCING ADDENDUM-001. SEPARATE WRITINGS OF FEATURES MAY BE BASED SEPARATELY PER DELPHI 10949001																				
ALL DIMENSIONS ARE IN MILLIMETERS																				
REFERENCE																				
<table border="1"> <thead> <tr> <th>DIMENSIONAL RANGE (MM)</th> <th>SHORT P</th> </tr> </thead> <tbody> <tr> <td>FROM > 0</td> <td>> 30</td> </tr> <tr> <td>TO 30</td> <td>70</td> </tr> <tr> <td>70</td> <td>100</td> </tr> <tr> <td>100</td> <td>150</td> </tr> <tr> <td>150</td> <td>200</td> </tr> <tr> <td>200</td> <td>250</td> </tr> <tr> <td>250</td> <td>300</td> </tr> <tr> <td>300</td> <td>400</td> </tr> </tbody> </table>		DIMENSIONAL RANGE (MM)	SHORT P	FROM > 0	> 30	TO 30	70	70	100	100	150	150	200	200	250	250	300	300	400	
DIMENSIONAL RANGE (MM)	SHORT P																			
FROM > 0	> 30																			
TO 30	70																			
70	100																			
100	150																			
150	200																			
200	250																			
250	300																			
300	400																			
<table border="1"> <thead> <tr> <th>TOLERANCE UNLESS OTHERWISE SPECIFIED</th> </tr> </thead> <tbody> <tr> <td>±0.1</td> </tr> <tr> <td>±0.2</td> </tr> <tr> <td>±0.3</td> </tr> <tr> <td>±0.4</td> </tr> <tr> <td>±0.5</td> </tr> <tr> <td>±0.6</td> </tr> <tr> <td>±0.8</td> </tr> <tr> <td>±1</td> </tr> <tr> <td>±1.2</td> </tr> </tbody> </table>		TOLERANCE UNLESS OTHERWISE SPECIFIED	±0.1	±0.2	±0.3	±0.4	±0.5	±0.6	±0.8	±1	±1.2									
TOLERANCE UNLESS OTHERWISE SPECIFIED																				
±0.1																				
±0.2																				
±0.3																				
±0.4																				
±0.5																				
±0.6																				
±0.8																				
±1																				
±1.2																				
<table border="1"> <thead> <tr> <th>ANGULAR TOLERANCE ±</th> </tr> </thead> <tbody> <tr> <td>1</td> </tr> <tr> <td>2</td> </tr> <tr> <td>3</td> </tr> <tr> <td>4</td> </tr> <tr> <td>5</td> </tr> <tr> <td>6</td> </tr> <tr> <td>8</td> </tr> <tr> <td>10</td> </tr> <tr> <td>12</td> </tr> <tr> <td>15</td> </tr> <tr> <td>20</td> </tr> <tr> <td>25</td> </tr> <tr> <td>30</td> </tr> <tr> <td>40</td> </tr> <tr> <td>50</td> </tr> <tr> <td>60</td> </tr> <tr> <td>75</td> </tr> <tr> <td>90</td> </tr> </tbody> </table>		ANGULAR TOLERANCE ±	1	2	3	4	5	6	8	10	12	15	20	25	30	40	50	60	75	90
ANGULAR TOLERANCE ±																				
1																				
2																				
3																				
4																				
5																				
6																				
8																				
10																				
12																				
15																				
20																				
25																				
30																				
40																				
50																				
60																				
75																				
90																				
<table border="1"> <thead> <tr> <th>THIRD ANGLE PROJECTION</th> <th>DO NOT SCALE</th> <th>USE MATH DATA</th> </tr> </thead> <tbody> <tr> <td></td> <td></td> <td></td> </tr> </tbody> </table>		THIRD ANGLE PROJECTION	DO NOT SCALE	USE MATH DATA																
THIRD ANGLE PROJECTION	DO NOT SCALE	USE MATH DATA																		

DELPHI
DELPHI PACKARD ELECTRIC SYSTEMS
WARREN, OH

DR	DATE
AP/VD1 WEIDONG ZHANG	11MY07
AP/VD2 JIANWEI GUO	11MY07
AP/VD3 WEIDONG ZHANG	11MY07
AP/VD4	

SUBSTANCES OF CONCERN AND RECYCLED CONTENT PER DELPHI 10949001

MATERIAL: W1167002 PBT GF10 BLK

DRAWING NAME: COV ELEK BOX

DRAWING NUMBER: 13642539

SIZE: A0
SCALE: 2:1
FRAME NO: 1 OF 1
SHEET NO: 1 OF 1
STG: R
REV: 01
N/P: AA