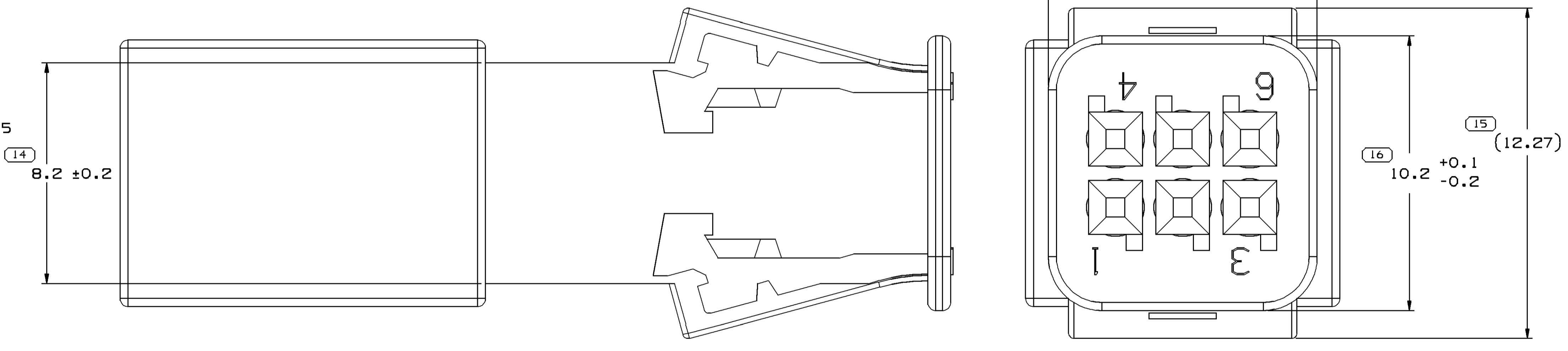
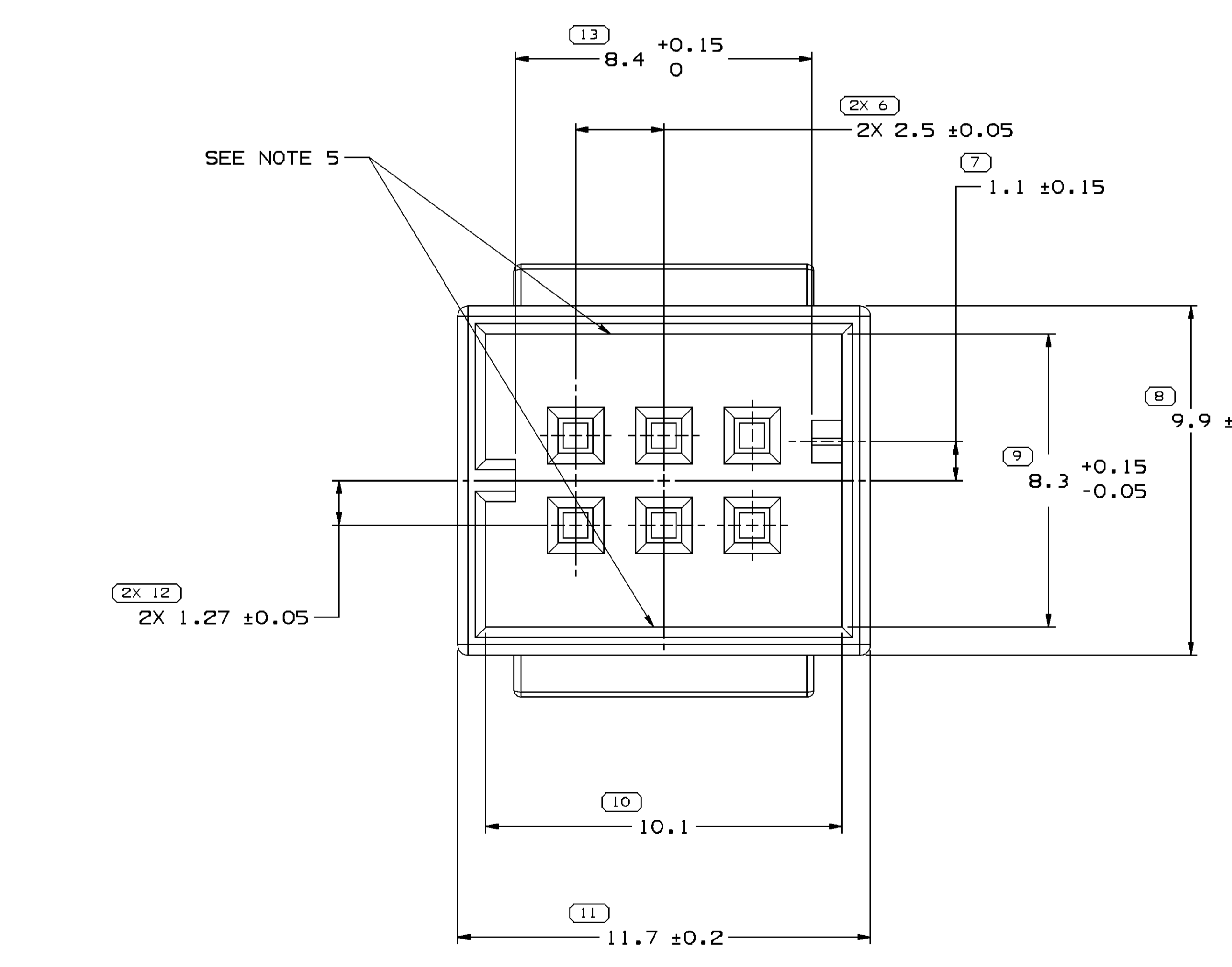
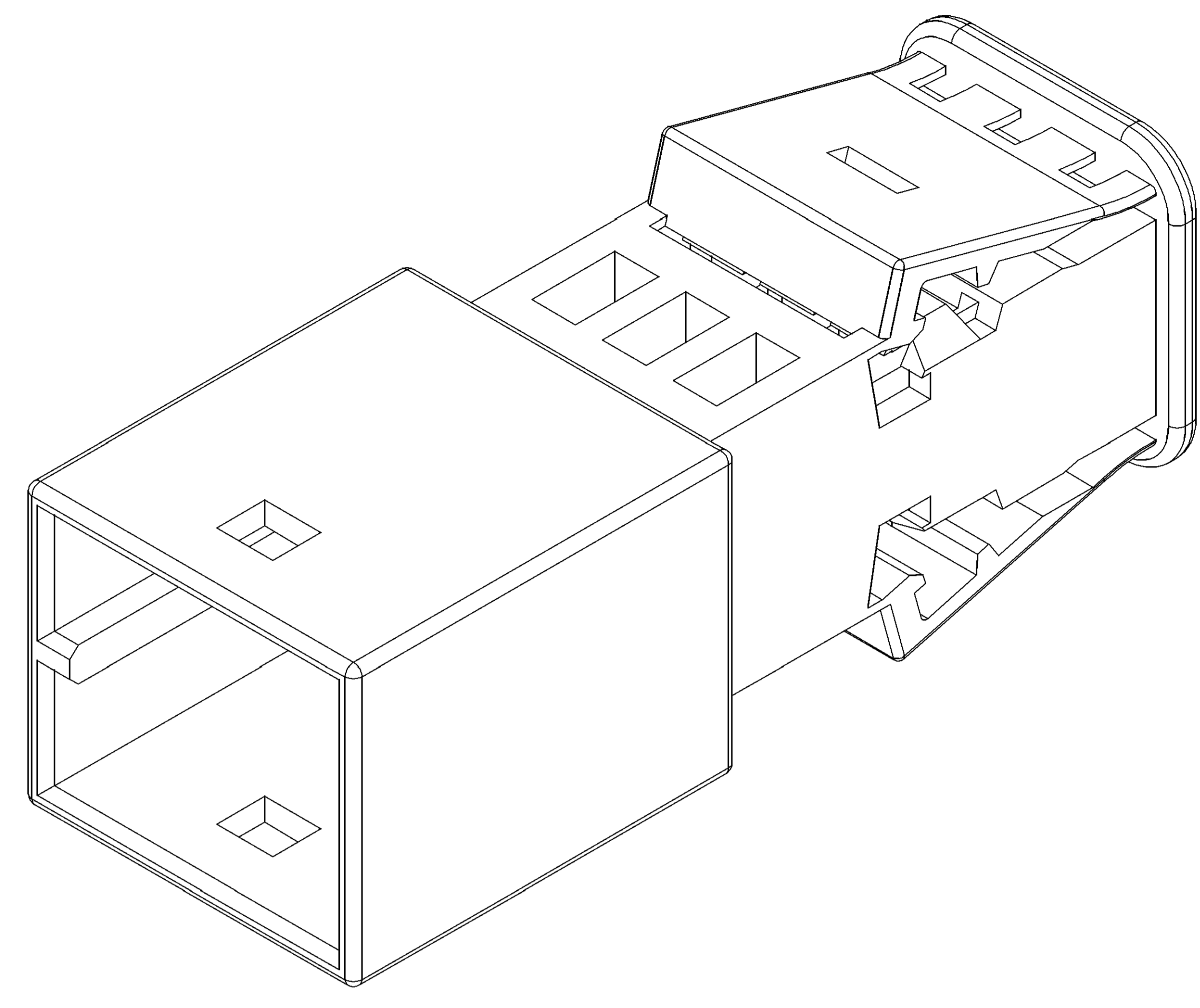
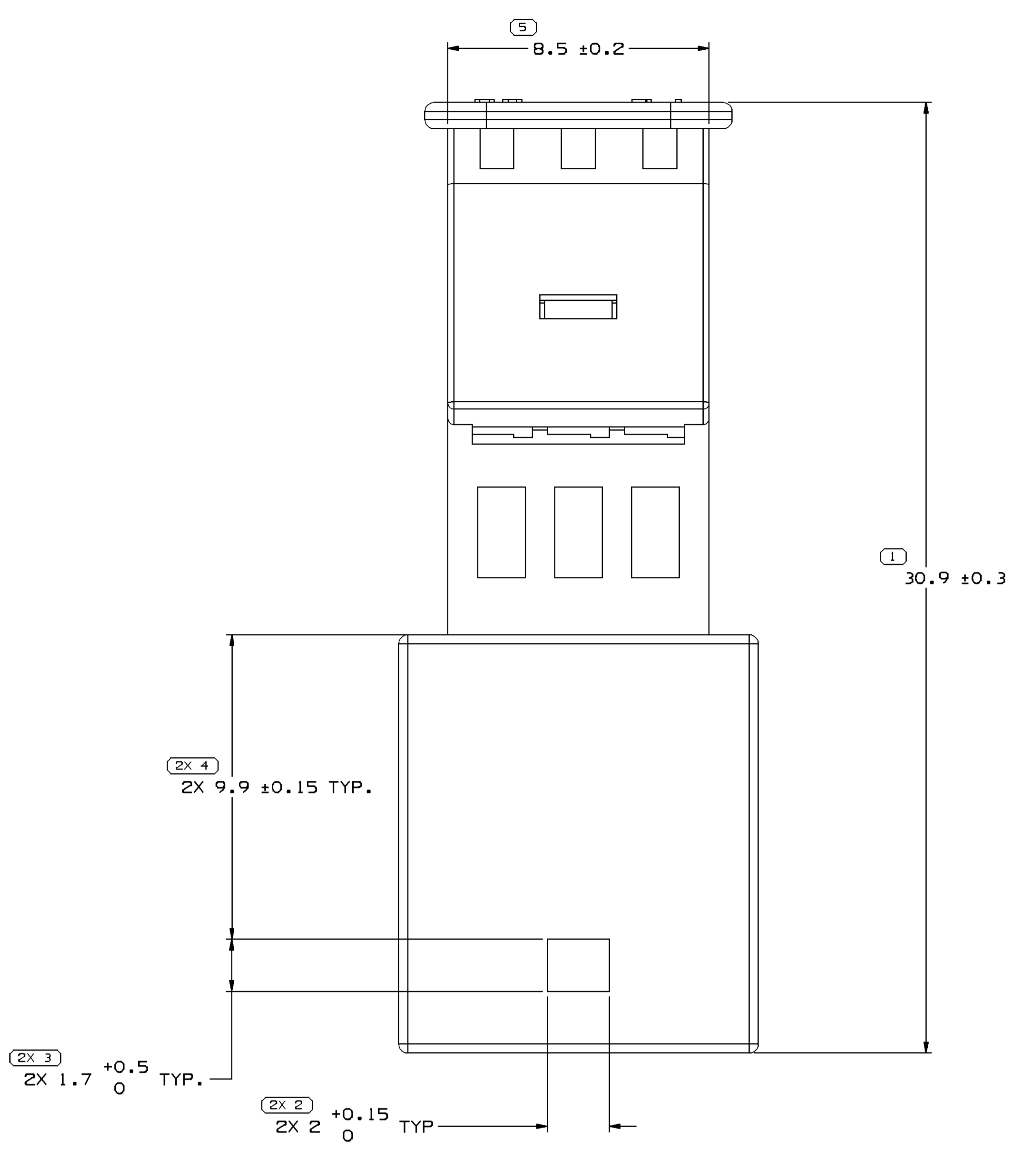


SYMBOL DEFINITION		
A DIMENSION WITHOUT AN INSPECTION REPORT SYMBOL DOES NOT REQUIRE INSPECTION. IT MAY BE CONTROLLED ON THE INDIVIDUAL COMPONENT DRAWING.	TOTAL NO OF INSPECTIONS REQUIRED	22
	LAST NO. USED	17

MISSING SYMBOLS				REVISION HISTORY		AUTH	DR	AP/VD
DATE	STG	REV	N/P	CHG	ZONE			
20AP07	R	01	-	-	-	RELEASED	401175	AZ 0Y 0Y
08AP08	R	01	AA	-	-	REDRAWN TO PD	404322	K.W JWG K.W M



NOTES

- UNLESS OTHERWISE SPECIFIED AND/OR INDICATED: DIMENSIONS ARE TO FACE OF VIEW SHOWN AND AUTOMATICALLY ROUNDED BY COMPUTER FOR INSPECTION (SEE MATH MODEL FOR PRECISE DIMENSIONS). FOR ALL OTHER DIMENSIONS NOT SHOWN BUT REQUIRED FOR TOOL BUILD, SEE MATH MODEL FOR PRECISE TOOL PATH DATA.
- THIS PART ACCEPTS THE FOLLOWING COMPONENTS OR EQUIVALENT: TERMINAL 15327260
- (1.0)X(1.0) DELPHI CORPORATE BRAND TO BE LOCATED ON ANY EXTERIOR SURFACE, PREFERABLY VISIBLE AT FINAL ASSEMBLY. OPTIONAL CONSTRUCTION FOR EXISTING TOOLING MAY BE "PED".
- FOR APPLICATION DATA SEE THE APPLICATION DRAWING.
- INSIDE WARPAGE 0.2mm MAX. IS ACCEPTABLE.

Dwg Type: PART DRAWING																																														
Style: 1,14	DISTR CODE: D																																													
UNLESS OTHERWISE SPECIFIED: THIS DOCUMENT IS IN ACCORDANCE WITH ASME Y14.5M-1994 AS AMENDED BY THE M SI SUPPLEMENT. DIMENSIONS AND TOLERANCES ARE IN MILLIMETERS UNLESS OTHERWISE SPECIFIED. DIMENSIONS IN PARENTHESES ARE IN INCHES UNLESS OTHERWISE SPECIFIED. SEPARATE WRITINGS OF TOLERANCES MAY BE BASED SEPARATELY PER-ROLE OF DIVISION REFERENCES.																																														
ALL DIMENSIONS ARE IN MILLIMETERS																																														
THIRD ANGLE PROJECTION	DO NOT SCALE USE MATH DATA																																													
<table border="1"> <thead> <tr> <th>DIMENSIONAL RANGE (MM)</th> <th>TOLERANCE</th> <th>SHORT P</th> </tr> </thead> <tbody> <tr> <td>FROM > 0</td> <td>> 30</td> <td>> 100</td> </tr> <tr> <td>TO</td> <td>30</td> <td>70</td> </tr> <tr> <td></td> <td>70</td> <td>100</td> </tr> <tr> <td></td> <td>100</td> <td>150</td> </tr> <tr> <td></td> <td>150</td> <td>200</td> </tr> <tr> <td></td> <td>200</td> <td>250</td> </tr> <tr> <td></td> <td>250</td> <td>300</td> </tr> <tr> <td></td> <td>300</td> <td>400</td> </tr> <tr> <td colspan="3">TOLERANCE UNLESS OTHERWISE SPECIFIED:</td> </tr> <tr> <td></td> <td>±0.1</td> <td>±0.3</td> </tr> <tr> <td></td> <td>±0.4</td> <td>±0.5</td> </tr> <tr> <td></td> <td>±0.6</td> <td>±0.8</td> </tr> <tr> <td></td> <td>±1</td> <td>±1.2</td> </tr> <tr> <td colspan="3">ANGULAR TOLERANCE ±1°</td> </tr> </tbody> </table>		DIMENSIONAL RANGE (MM)	TOLERANCE	SHORT P	FROM > 0	> 30	> 100	TO	30	70		70	100		100	150		150	200		200	250		250	300		300	400	TOLERANCE UNLESS OTHERWISE SPECIFIED:				±0.1	±0.3		±0.4	±0.5		±0.6	±0.8		±1	±1.2	ANGULAR TOLERANCE ±1°		
DIMENSIONAL RANGE (MM)	TOLERANCE	SHORT P																																												
FROM > 0	> 30	> 100																																												
TO	30	70																																												
	70	100																																												
	100	150																																												
	150	200																																												
	200	250																																												
	250	300																																												
	300	400																																												
TOLERANCE UNLESS OTHERWISE SPECIFIED:																																														
	±0.1	±0.3																																												
	±0.4	±0.5																																												
	±0.6	±0.8																																												
	±1	±1.2																																												
ANGULAR TOLERANCE ±1°																																														

DELPHI
DELPHI PACKARD ELECTRIC SYSTEMS
WARREN, OH

DR ALLEN ZHANG	DATE 20AP07
AP/VD1 ALLEN ZHANG	20AP07
AP/VD2 OLIVER YU	20AP07
AP/VD3 OLIVER YU	20AP07
AP/VD4	
AP/VD5	
SUBSTANCES OF CONCERN AND RECYCLED CONTENT PER DELPHI 10949001	
MATERIAL: POLYESTER BLEND BLK	
DRAWING NAME: CONN 6 M 064 BLK	
DRAWING NUMBER: 13627833	
SIZE: A0	SCALE: 5:1
FRAME NO: 1	SHEET NO: 1 OF 1
REV: R	N/P: 01