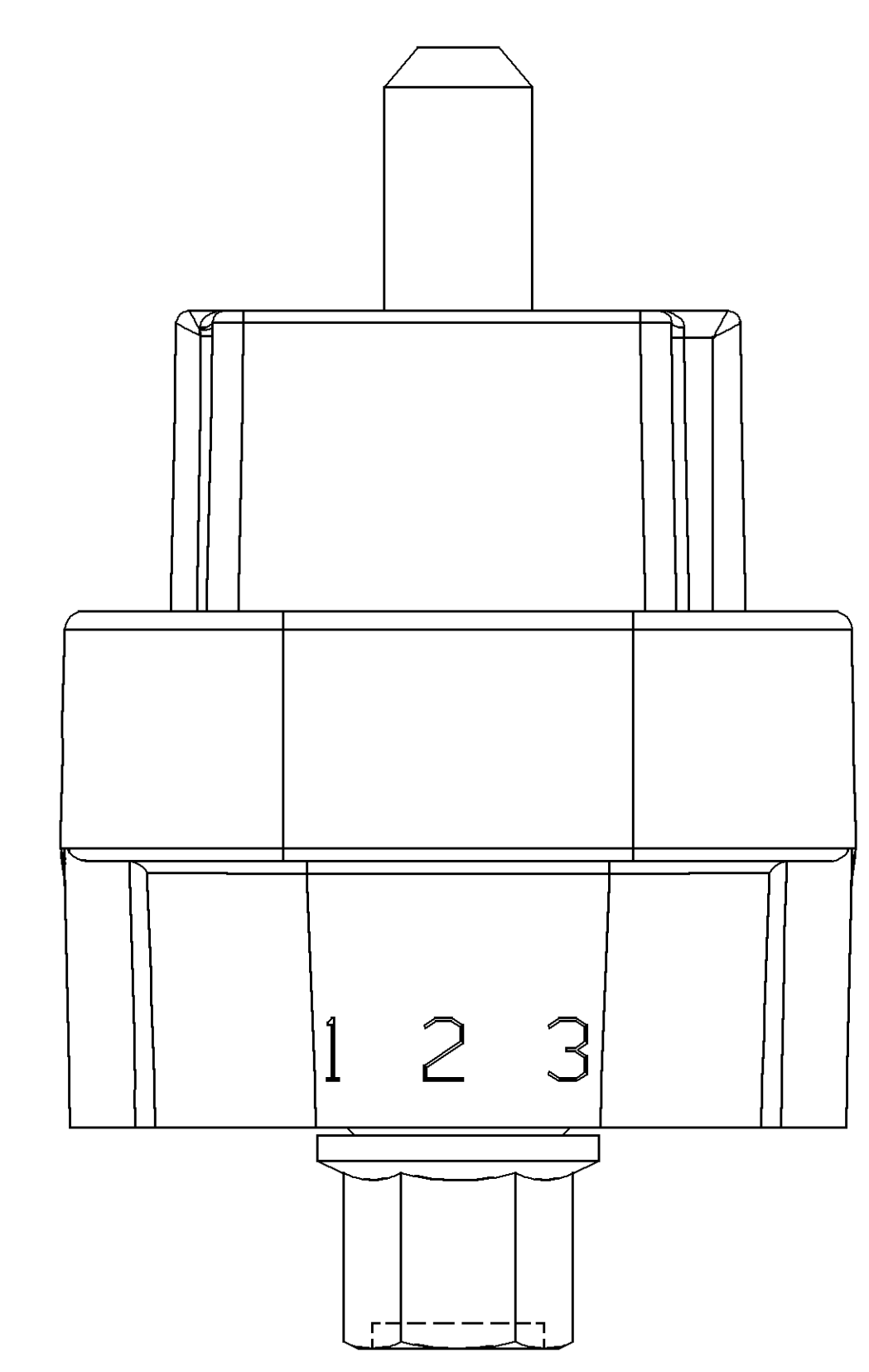
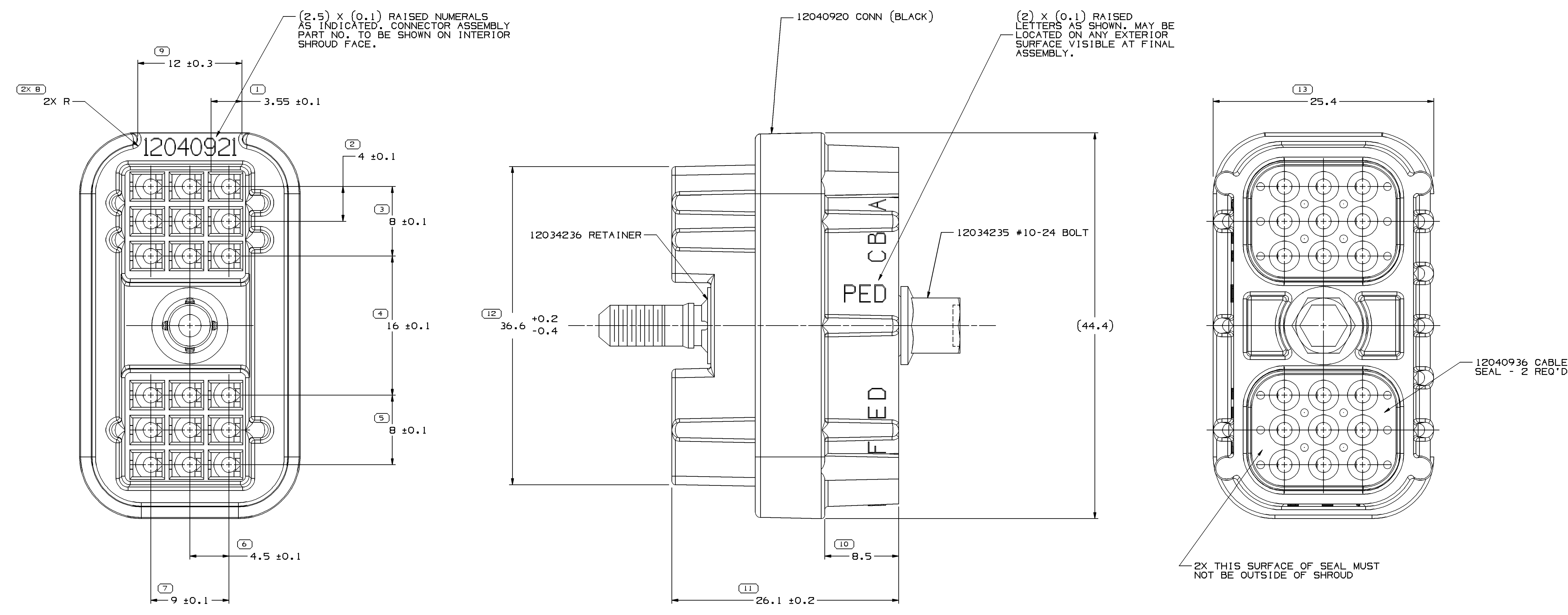
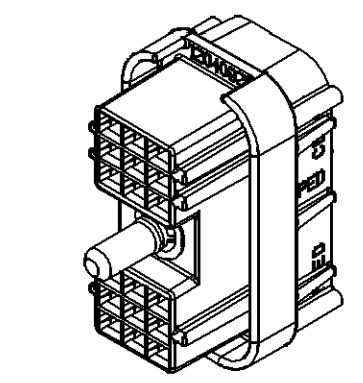


SYMBOL DEFINITION		MISSING SYMBOLS	
A DIMENSION WITHOUT AN INSPECTION REPORT SYMBOL DOES NOT REQUIRE INSPECTION. IT MAY BE CONTROLLED ON THE INDIVIDUAL COMPONENT DRAWING.	TOTAL NO OF INSPECTIONS REQUIRED	NO MISSING SYMBOL NUMBER	14
	LAST NO. USED		13

DWG STATUS					REVISION HISTORY			AUTH	DR	AP/VD
DATE	STG	REV	N/P	CHG	ZONE					
23A004	R	C4	-	-		CLEARED REV. COL. & REDRAWN TO PD1 AND ADDED RESTRICTED USAGE NOTE	255795	JAA	JVM	MGR
240C05	R	C5	-	-		OBSOLETE	273824	JTZ	JAA	MGR
12M06	R	C6	-	-		REINSTATED	280604	BPS	JAA	EST



- NOTES
- UNLESS OTHERWISE SPECIFIED AND/OR INDICATED: DIMENSIONS ARE TO FACE OF VIEW SHOWN AND AUTOMATICALLY ROUNDED BY COMPUTER FOR INSPECTION (SEE MATH MODEL FOR PRECISE DIMENSIONS). FOR ALL OTHER DIMENSIONS NOT SHOWN BUT REQUIRED FOR TOOL BUILD, SEE MATH MODEL FOR PRECISE TOOL PATH DATA.
 - CAVITIES TO ACCEPT 12047680 TERMINAL OR EQUIVALENT.
 - MATING CONNECTOR 12040923 OR EQUIVALENT.
 - THIS PART IS NOT CONTROLLED FOR AUTOMATIC FEEDING.
 - CONNECTOR TO BE ASSEMBLED TO MATING CONNECTOR WITH A TORQUE OF 0.8 NM TO 1.5 NM.
 - BOLT TO BE RETAINED TO A MINIMUM 400 N FORCE.
 - BOLT MUST ROTATE IN CONNECTOR AT A TORQUE OF LESS THAN 0.6 NM (5.3 INCH-POUNDS) AFTER RETAINER IS ASSEMBLED.
 - SEALING CODE 3 - DESIGN WILL PASS SALT FOG AND IMMERSION TEST AFTER CONDITIONING AS SPECIFIED IN ESA-644 (WEATHER-PACK), ESA-710 (METRI-PACK), ESA-650 (UNDERHOOD MICRO-PACK), C-4006 (WORLD CONNECTOR), ETC WHEN MATED TO MATING PART OR EQUIVALENT



DIMENSIONAL RANGE (MM)		SHORT ET	
FROM	TO		
> 0	> 30	> 100	> 300
20	30	100	300
30	70	150	250
70	100	200	300
100	150	250	400
150	200	300	400
200	250	300	400
250	300	300	400
300	400	300	400
400	500	300	400
500	600	300	400
600	700	300	400
700	800	300	400
800	900	300	400
900	1000	300	400

(N/A) PROCESS SENSITIVE DIMENSION

DIMENSIONS ENCLOSED IN () INDICATE REFERENCE DIMENSIONS AND NO TOLERANCE LIMITS ARE ESTABLISHED

TOLERANCE UNLESS OTHERWISE SPECIFIED

ANGULAR TOLERANCE 2°

THIRD ANGLE PROJECTION

DO NOT SCALE

USE MATH DATA

DELPHI

DELPHI PACK/ARD ELECTRIC SYSTEMS
WARREN, OH

DR	DATE
APV01 R.W. GLEASON	12AUB3
APV02 E.M. BUNGO	15AUB3
APV03 J.M. CHUPAK	17AUB3
APV04	
APV05	

UNLESS OTHERWISE SPECIFIED THIS DOCUMENT IS IN ACCORDANCE WITH ASME Y14.5M-1994 AS MODIFIED BY THE IN-SPECIFIC DIMENSIONING AND TOLERANCING ADDENDUMS. SEPARATE WRITINGS OF FEATURES MAY BE BASED SEPARATELY PER SEVERAL OF DWTM REFERENCES.

ALL DIMENSIONS ARE IN MILLIMETERS

REFERENCE

DRAWING NAME
ASM CONN 18 F M/P 150 BLK SLD

DRAWING NUMBER
12040921

SCALE: 5:1

FRAME NO: 1 OF 1

SHEET NO: 1 OF 1

REV: R

N/P: C6