



DESCRIPTION: BNC RITHT ANGLE BULKHEAD JACK
RECEPTACLE SHIELDED

MODEL NUMBER: CPBNCPC012

APPLICATION: PCB

CRIMP TOOL: N/A

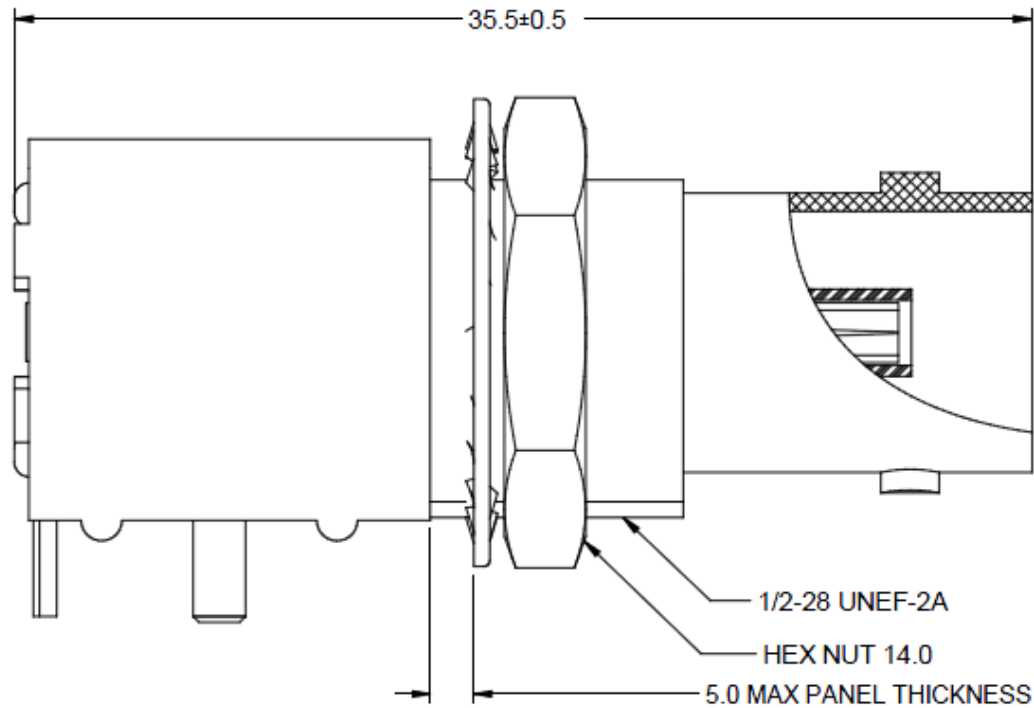
IMPEDANCE: 75OHM

FREQUENCY RANGE: 0~2 GHz

MATERIAL: BODY ZINC NICKEL PLATED
INSULATOR DELRIN
CONTACT BECU GOLD

RoHS COMPLIANCE: YES

TECHNICAL DETAIL: REFER TO EMERSON DOCUMENT PN 27-0000



		AIM-Cambridge	
	RoHS 2002/95/EC	Title: BNC RIGHT ANGLE BULKHEAD JACK RECEPTACLE SHIELDED	
<small>This PROPRIETARY Document is property of Emerson Network Power, Connectivity Solutions. It is confidential in nature, non-transferable, and issued with the clear understanding that it is not traced or copied without permission and is replaceable upon demand.</small>	<small>UNLESS OTHERWISE SPECIFIED UNITS: METRIC</small> .XX ±.51 .XXX ±.127 ANGLES ±2°	Model No. CPBNCPC012	
<small>INTERPRET DRAWING IN ACCORDANCE WITH ASME Y14.5-2009.</small>	Size A	DO NOT SCALE DRAWING	Date: 8/17/2013
			Sheet 1 of 1