

5

4

3

2

1

受控 CONTROLLED DOCUMENT					
编号 P/N	27-9069	版本 Rev	02	日期 Rel'd Date	Aug8,11

Description: CPAD355 TNC(F-F)Splice Adapter  
 Part No: 27-9069  
 Application: N/A  
 Crimp Tool: N/A  
 Impedance: 50 Ohm  
 Frequency Range: 0-11 GHz  
 Material: Body Brass Nickel Plated  
 Insulator TPX  
 Contact Phosphor Bronze  
 Gold Plated  
 Washer Brass Nickel Plated  
 RoHS Compliance: Yes  
 Technical Detail: Refer to Emerson Document P/N 28-0000

DRAWING NO. 27-9069	
REVISIONS	
01	OFFICIAL RELEASE 08-05-09
	CHANGE CONTACT MATERIAL FROM BRASS TO PHOSPHOR BRONZE 06-30-11

D

D

C

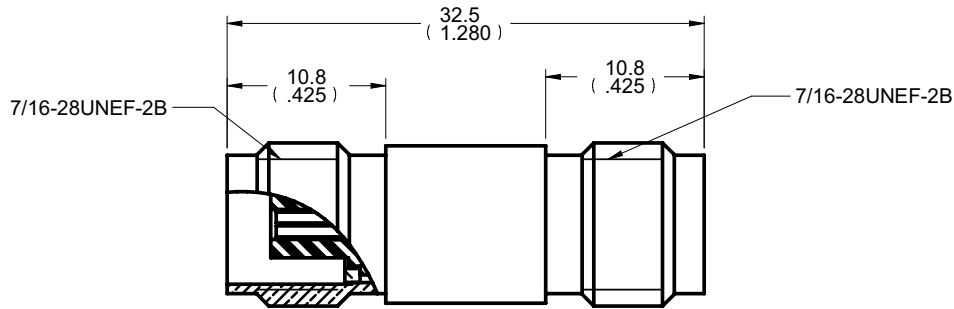
C

B

B

A

A



**DIM OUTLINE**

**CUSTOMER COPY**

TOLERANCE UNLESS OTHERWISE SPECIFIED		DRAWN BY Wencan Li	DATE 06-30-11
DECIMALS	mm	CHECKED BY Hu Yuge	DATE 06-30-11
X	± 0.5	APPROVED BY Ma Lin	DATE 06-30-11
X.X	± 0.3	U/M	mm
X.XX	± 0.1		
ANGLES	± 0.5°		



TITLE CPAD355 TNC(F-F)SPLICE ADAPTER		
SHEET 1 OF 1	DRAWING NO. 27-9069	SIZE A

THIS DRAWING WAS PRODUCED BY COMPUTER, DO NOT SCALE DRAWING OR UPDATE MANUALLY.

5

4

3

2

1