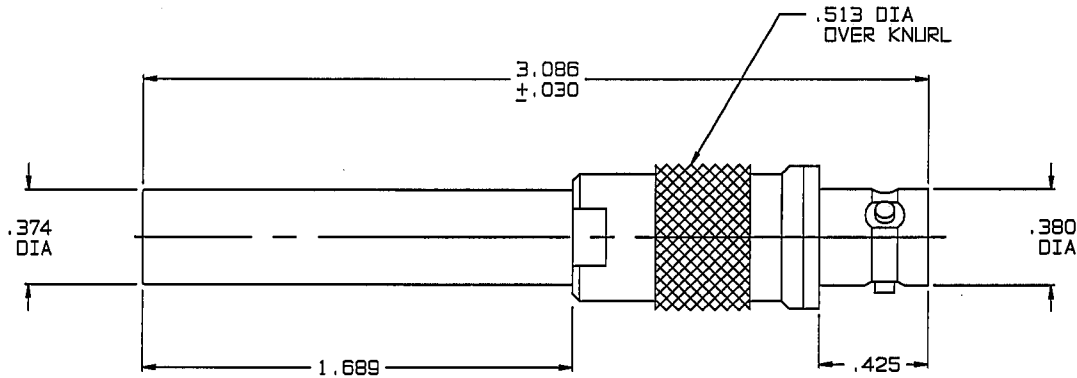


RED INDICATES ORIGINAL

DATA CONTAINED IN THIS DOCUMENT IS PROPRIETARY TO TROMPETER ELECTRONICS INC. AND SHALL NOT BE DISCLOSED, COPIED OR USED FOR PROCUREMENT OR MANUFACTURE WITHOUT EXPRESS WRITTEN PERMISSION.

REVISONS		305-1374		SH 1C		
REV	ED	DESCRIPTION		DWN	APPROVED	DATE
A		PRODUCTION RELEASE		R L		

DASH NO	MODEL NO.
-1	AD71L
-2	AD71LTL (2 LUG)
-3	AD71LFL (4 LUG)
-4	AD371L (THREADED)



-1 SHOWN

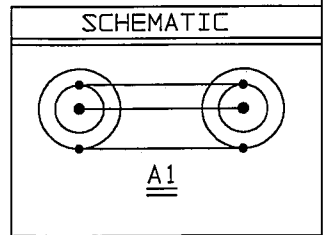
△ SEE TABLE FOR DASH NO.

4. EXAMPLE OF COMPLETE P/N: 305-1374 - △

3. CONCENTRIC TWINAXIAL/TRIAXIAL PATCH PLUG ADAPTER, TRB LONG PATCH PLUG TO TRB RECEPTACLE

2. FINISH: TFS-1A (NICKEL)

1. ALL DIMENSIONS ARE BE IN INCHES



QTY	DESCRIPTION		PART NUMBER	ITEM		
TOL UNLESS SPECIFIED		TROMPETER ELECTRONICS, INC.	AD71L/TL/FL/371			
.XX ± .XXX ± .XXXX ± ANGLES ±						
DWN	R L	7/12/99	MATERIAL	CODE IDENT	DRAWING NO.	REV
CHK		8-9-99	—	14949	305-1374	A
ENGR		8/9/99				
APPR		9/2/99	SCALE 2/1	DATE 8/9/99	SHEET 1C	
NEXT ASSY						