

Product Name:	514 - Minitex Power	
	514-5U4F-MINITEK PWR3.0 HSG	
Product Manager:	Jithin George	
Subject:	Notification of Change with Immediate Effectivity	
Distribution:	Affected customers	
Type of Change:	Design Change	
Change Description:	Product improvement activity with addition of extended shroud on the Housing body to be aligned with the updated PCIe SIG specification for 12VHPWR Cable Plug Housings. Changes are described in attached PPT.	
Reason for Change:	In accordance to ECR of PCIe SIG specification	
Affected Parts:	10161719-124GLF	
Effective Date of Change:	October,31 2022	
Last Time Buy Date:		
Earliest Disty Return Date:		
Last Time Shipment Date		
Datasheet Attached?	No	
Qual/Test Data Attached?	No	
Samples Availability Date:	31 October ,2022	
Available Alternatives?		
Questions?	<i>Contact your local Amphenol Representative, or Product Manager</i>	
	<i>Jithin George / Product Manager</i>	
	<i>Jithin.George@fci.com</i>	

Note:

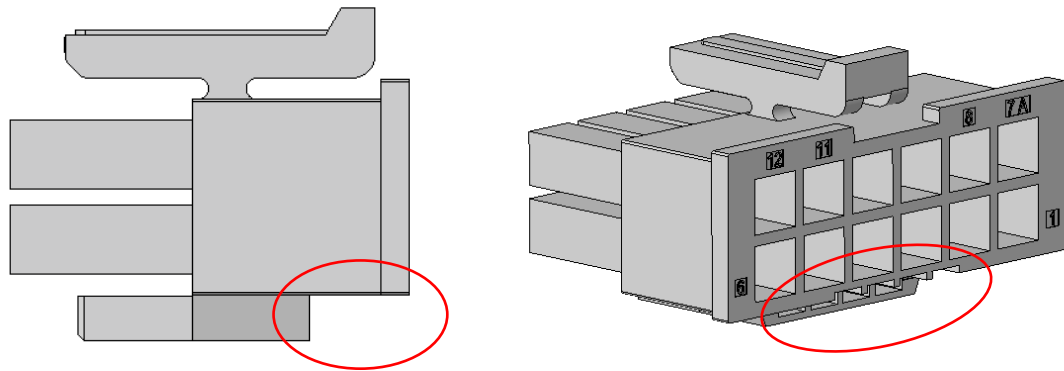
Customers should contact Product Line Manager (or their local Amphenol Representative) directly regarding any concern on the PCN. Lack of any such customer feedback within three weeks of PCN release date will be interpreted as non-objection .

ENGINEERING CHANGE NOTIFICATION

Product: 10161719-124GLF Minitek 3.0 PCIe CEM 5 Receptacle Housing

- Site CCB No./Global PCN No. -COK-48-22
- Implementation Date: 31st OCT 2022

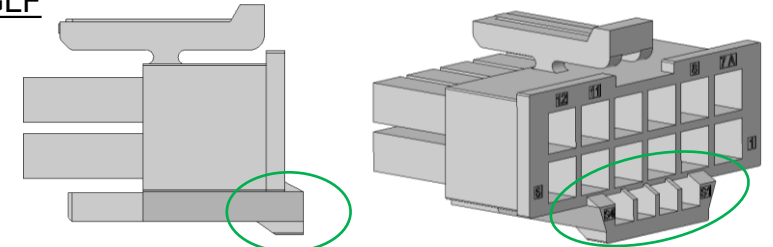
BEFORE



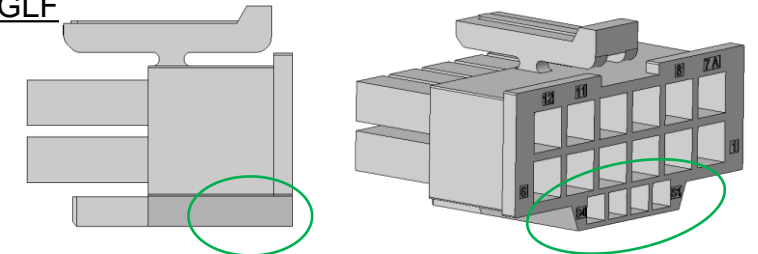
- ✓ Design → Design following PCI Express Card Electromechanical Specification Revision 5.0, Version 1.0

AFTER

Option-1: 10161719-124GLF



Option-2: 10168565-124GLF



- ✓ Design → Design change as per ECR dt 3rd June'2022 of PCI Express Card Electromechanical Specification Revision 5.0, Version 1.0
- ✓ Current part will be modified according to Option 1 of specification by adding shroud extending beyond plug body and with gripping feature.
- ✓ Option 2 as defined in specification will be supported by a new Part number and having only a shroud extending beyond plug body

PCN Reference	MPN	Change	Effective Date
PCN22105	10161719-124GLF	DESIGN CHANGE	OCTOBER 31, 2022
Count:		1	

Last Disty Return date	Last Shipment date	Alternative Parts

Product Family	Primary MU
514-5U4F-MINITEK PWR3.0 HSG	4950-49500

Status

ACTIVE