
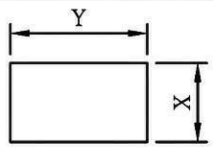
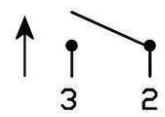
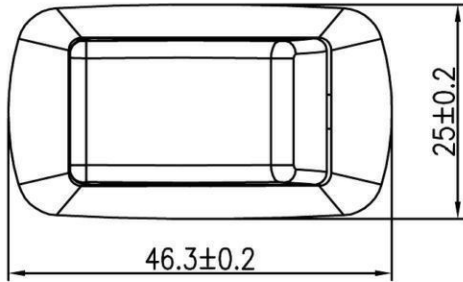


THIS INFORMATION IS CONFIDENTIAL AND PROPRIETARY TO CW INDUSTRIES INCORPORATED AND ITS AFFILIATES. IT MAY NOT BE DISCLOSED TO ANYONE, OTHER THAN CW INDUSTRIES PERSONNEL, WITHOUT WRITTEN AUTHORIZATION FROM CW INDUSTRIES INCORPORATED, SOUTHAMPTON, PENNSYLVANIA USA.

Rating	20A 125VAC 10A 25VAC 16A 125VAC 3/4HP  US	Mounting Hole	Circuit Diagram									
	10A 277VAC 3/4HP 21A 14VDC											
Contact Resistance	50m ohm Max.											
Insulation Resistance	DC 500V 100M ohm Min.											
Dielectric Strength	AC 1500V 1 minute	<table border="1"> <tr> <th>Thickness(mm)</th> <th>X(mm)</th> <th>Y(mm)</th> </tr> <tr> <td>0.75~1.25</td> <td rowspan="3">21.2±0.1</td> <td>36.6^{+0.2}₋₀</td> </tr> <tr> <td>1.25~2.0</td> <td>36.8^{+0.2}₋₀</td> </tr> <tr> <td>2.0~3.0</td> <td>37.0^{+0.2}₋₀</td> </tr> </table>	Thickness(mm)	X(mm)	Y(mm)	0.75~1.25	21.2±0.1	36.6 ^{+0.2} ₋₀	1.25~2.0	36.8 ^{+0.2} ₋₀	2.0~3.0	37.0 ^{+0.2} ₋₀
Thickness(mm)	X(mm)	Y(mm)										
0.75~1.25	21.2±0.1	36.6 ^{+0.2} ₋₀										
1.25~2.0		36.8 ^{+0.2} ₋₀										
2.0~3.0		37.0 ^{+0.2} ₋₀										
Operation Temperature	-20°~+85°											
Switch Function	2P SPST (ON)-OFF											

() = Momentary Function



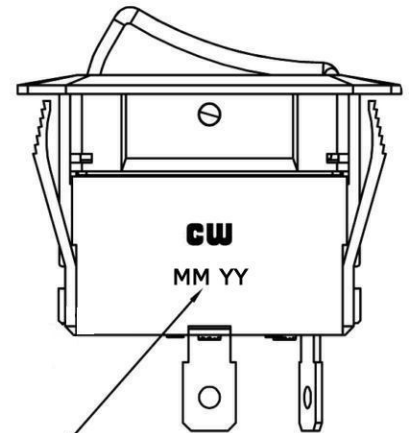
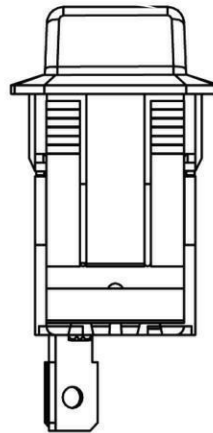
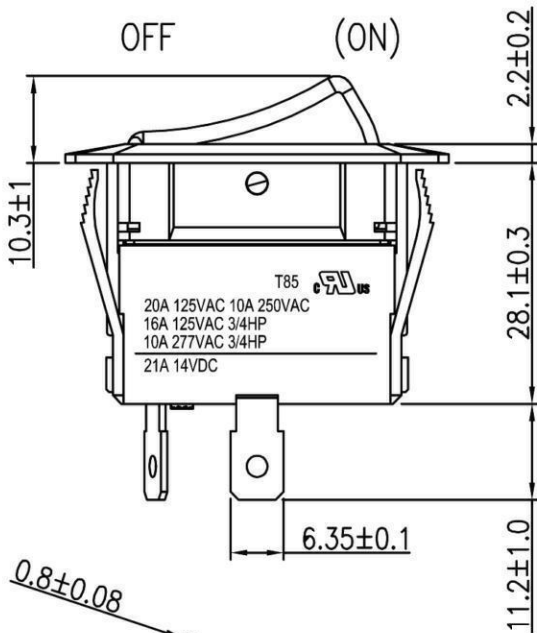
* MATERIAL:

Frame: Nylon#66, Black

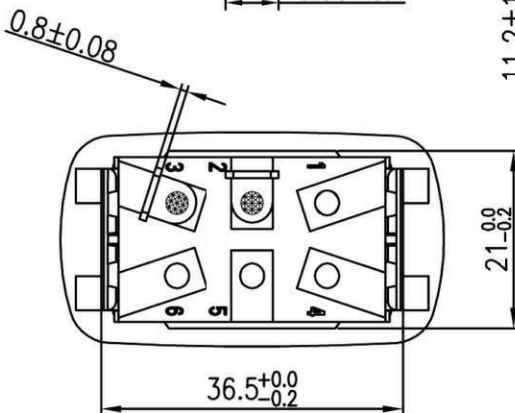
Actuator: Nylon#66 with 33%GF, Black

Printed: None

Water proof and dust proof to fit IP-56



DATE CODE



RoHS Compliant

CW INDUSTRIES
Southampton, Pa. 18966
Tel 215.355.7080/www.cwind.com

Date Drawn: 5/18/10

Rev. 0

Unit: mm

Checked By: EJP

Title: **ROCKER SWITCH**

CW P/N: **GRB260N601BBNN**

Mouser Electronics

Authorized Distributor

Click to View Pricing, Inventory, Delivery & Lifecycle Information:

[CW Industries:](#)

[GRB260N601BBNN](#)