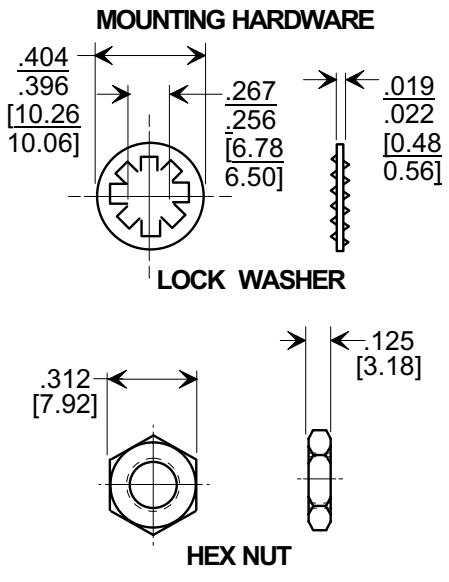
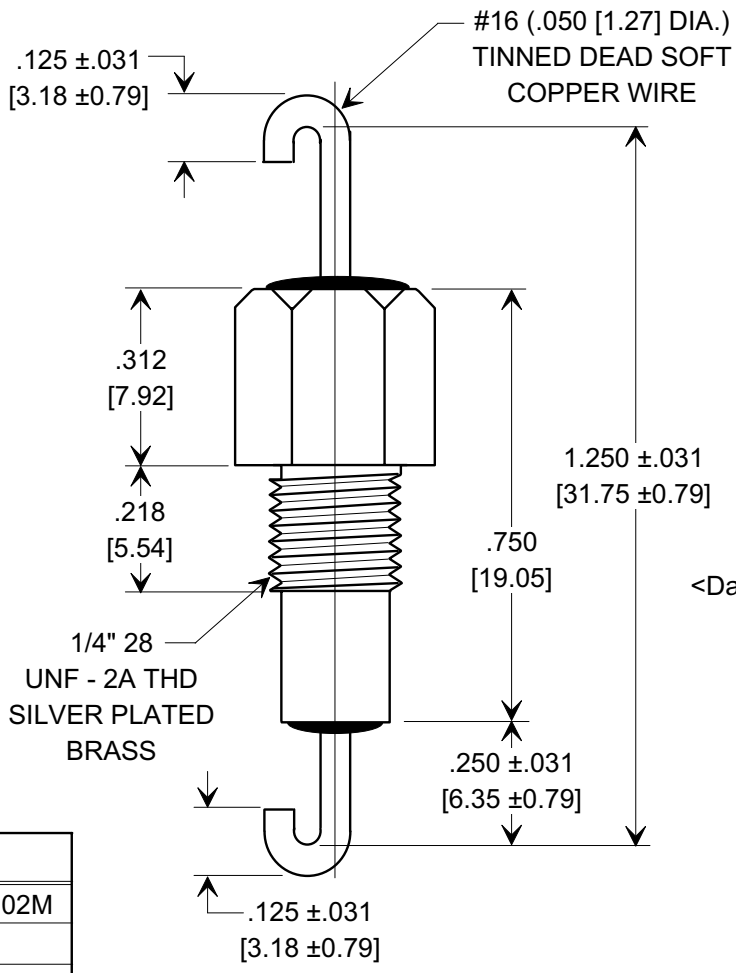
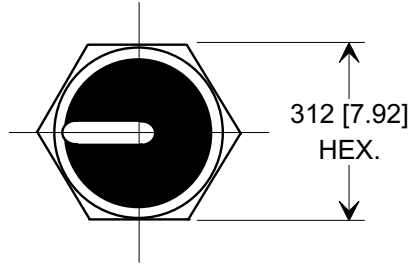
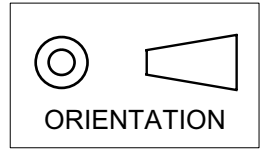


MARKETING SALES DRAWING
DIMENSIONS IN INCHES - DO NOT SCALE THIS DRAWING
DIMENSIONS IN METRIC - []

Electrical Testing
per Tusonix standard
test plans and Mil-Std-202
Test Methods.



STAMP:
T
CK70AW
102M
<Date Code: WWYY>

SPECIFICATIONS	
PART NUMBER	327-042-X5U0-102M
CAPACITANCE	1000 pF
CAP. TOL.	±20 %
TEMP. COEF.	X5U
WORKING VOLTAGE	500 VDC @ 85°
TEMP. RANGE	-55 TO +85°C

- NOTES:
1. LOCK WASHER AND HEX NUT ARE SILVER PLATED.
2. MIL PART NUMBER: CK70AW102M.

X-2015 Rev-0 REVISION RECORD Original Release C.O. 19990914-1-01 CORRECT DIM. LINE 1.250 & ADDED METRIC. S.M. 08-03-00 20000803-3-04 1	--TOLERANCES-- Unless Otherwise Specified		Title FEED-THRU CAPACITOR	
	DECIMAL ± .015		Drawn S.M. 09-14-99 Scale 3 X	
	ANGLES ±		Approved J.Mc. 09-14-99	
	TUSONIX TUCSON, ARIZONA		A 327-042-X5U0-102M	

Mouser Electronics

Authorized Distributor

Click to View Pricing, Inventory, Delivery & Lifecycle Information:

CTS:

[0327-042-X5U0-102M](#)