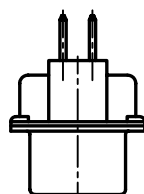
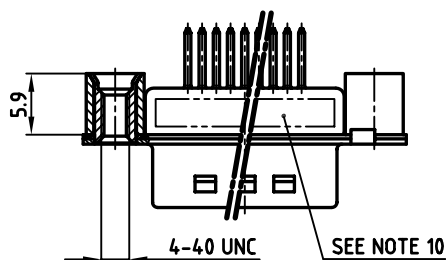
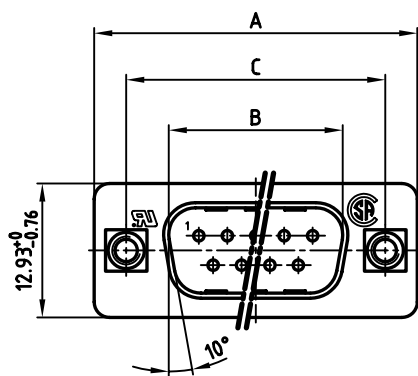
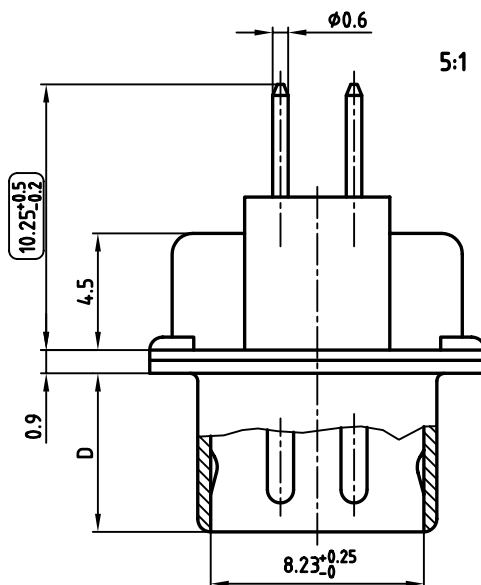


used for: D-SUB FILTER

POS.	A -0.76	B $+0.25$	C $+0.12$ -0.13	D -0.3	Part-NO.
9	31.19	16.79	25.00	6.12	FDC1XPRCA02H850X
15	39.52	25.12	33.30	6.12	FDC2XPRCA02H850X
25	53.42	38.84	47.04	5.99	FDC3XPRCA02H850X
37	69.70	55.30	63.50	5.99	FDC4XPRCA02H850X



NOTES:

- METALSHELLS: STEEL; min. 320 μ " TIN
- INSULATORS: PBT GF UL 94 V-0, BLACK
- CONTACTS: COPPER ALLOY
PLATING: 30 μ " HARD GOLD OVER min. 50 μ " NICKEL
- THREADED REAR SPACER: COPPER ALLOY; min. 200 μ " TIN over 80 μ " NICKEL
- SLEEVE: COPPER ALLOY; min. 200 μ " TIN over 80 μ " NICKEL
- P.C.B. HOLE DRILLINGS ON DRAWING NO.: 16K11UA
- CAPACITANCE: 85pF \pm 20%
- DIELECTRIC WITHSTANDING VOLTAGE: 707 VDC
- MAXIMUM TORQUE VALUE FOR THREAD: 6" LBS
- CONNECTOR IS PART MARKED: PART-NO. CONEC ABC
- = CHECK DIMENSION

APPROVAL * FREIGABE * DEBLOCAGE * AUTORIZACION * APPROVAL

CUSTOMER APPROVAL DATE:

NAME: TITLE:

COMPANY NAME:

APPROVAL * FREIGABE * DEBLOCAGE * AUTORIZACION * APPROVAL

THIS DRAWING MAY NOT BE COPIED OR REPRODUCED IN ANY WAY, AND MAY NOT BE PASSED ON TO A THIRD PARTY, WITHOUT WRITTEN PERMISSION. OWNERSHIP AND COPYRIGHT OF CONEC GmbH DO NOT ALTER CAD DRAWING BY HAND

rev.	description	date	name

tolerance dim. in mm

2004	date	name
drawn	19.03.	Lehmenkühler
appd.	19.03.	Mickenbecker
norm	DIN 41652	
d-old		

CONEC

scale: 2:1 (5:1)

material: SEE NOTES

title: **D-SUB FILTER MALE**
9-37pos. SOLDER PIN STRAIGHT
with threaded rear spacer

dwg no: AutoCAD 2000 DIN-A 3 sh: 1/1

part no: **24K1A518** SEE TABLE

Mouser Electronics

Authorized Distributor

Click to View Pricing, Inventory, Delivery & Lifecycle Information:

[CONEC:](#)

[FDC4XPRCA02H850X](#)