

AFL3-W15A-BT

Intel® Celeron® J1900 (Quad Core, 2.0 GHz)



AFL3-W15B-H81

Intel® Core™ i7/i5/i3, Pentium® and Celeron®



AFL3-W15C-ULT3

Intel Core™ i7/i5/i3 and Celeron® on-board Processor



Features

- W15" light industrial interactive panel PC
- 9 V ~ 30 V wide range DC power input
- Selectable AT/ATX power mode
- Built-in speakers
- One mSATA slot
- IP64 compliant front panel
- IEI One Key Recovery solution allows you to create rapid OS backup and recovery (suggested with over 4GB storage capacity)



Specifications



Model		AFL3-W15A-BT	AFL3-W15B-H81	AFL3-W15C-ULT3 <i>Preliminary</i>		
LCD	Size	15.6"				
	Resolution	1366 x 768 (16:9)				
	Brightness (cd/m ²)	300				
	Contrast Ratio	700:1				
	LCD Color	16.7M				
	Pixel Pitch (mm)	0.240 (H) x 0.240 (V)				
	Viewing Angle (H-V)	160° / 160°				
	Backlight MTBF (hrs)	50000 (LED backlight)				
Touch	Touch Screen	5-wire resistive type with RS-232 interface / projected capacitive type with USB interface				
	Touch Controller	PenMount DMC9000/ EETI EXC7200				
Motherboard	CPU	Intel® Celeron® J1900 (quad core, 2 GHz)	Intel® Core™ i7/i5/i3, Pentium®, Celeron® processor (TDP 35W)	Intel Core™ i7/i5/i3 and Celeron® on-board Processor		
	Chipset	N/A	Intel® H81			
	RAM	One 204-pin 1333MHz single-channel DDR3L SDRAM, 2GB pre-installed (system max. 8GB)	Two 204-pin 1333MHz single-channel DDR3L SDRAM, 4GB pre-installed (system max. 16GB)	Two 260-pin DDR4 SO-DIMMs (system max. 32GB)		
	Ethernet	2 x PCIe GbE by RTL8111E controller		LAN1: Intel® I219-LM PHY with Intel® AMT 11.0 supported LAN2: Intel® I211-AT PCIe GbE controller		
	Audio Codec	ALC892				
Storage	mSATA , 2.5" SATA 3Gb/s HDD bay		2.5" SATA 3Gb/s HDD bay M.2 M key PCIe storage (2280 or 22110)			
I/O Ports & Switch	1 x RS-232 COM port (RJ-45 connector) 1 x RS-232/422/485 COM port (DB-9 connector) (RI/5V/12V) 2 x USB 2.0 2 x USB 3.0 2 x GbE LAN 1 x Power switch 1 x Reset button 1 x AT/ATX switch 1 x Audio port (line-out) 1 x 9-30V lockable power jack		1 x RS-232 COM port (DB-9 connector) 1 x RS-232/422/485 COM port (DB-9 connector) (RI/5V/12V) 2 x GbE LAN 4 x USB 2.0 2 x USB 3.0 1 x HDMI output 1 x Power switch 1 x Reset button 1 x AT/ATX switch 1 x Audio port (line-out) 1 x 9-30V lockable power jack		1 x RS-232 by DB-9 (RI/5V/12V) 1 x RS-232/422/485 by DB-9 (RI/5V/12V) 2 x GbE LAN 4 x USB3.0 1 x HDMI output 1 x Power Switch 1 x Reset Button 1 x AT/ATX switch 1 x 9-30V Lockable Power Jack	
	Audio	AMP 3W + 3W (internal speakers)				
	Camera and Microphone	2-megapixel with low light function, digital microphone				
	Wireless & Bluetooth	IEEE 802.11a/b/g/n/ac	IEEE 802.11a/b/g/n/ac, Bluetooth v4.0	IEEE 802.11a/b/g/n/ac, Bluetooth v4.0		
	OSD Function	Software OSD				
	Physical	Front Panel Construction	PC + ABS Plastic			
		Mounting	Panel, Wall, Rack, Stand and Arm VESA 75mm x 75mm / 100mm x 100mm			
		Color	Black C			
		Dimensions (WxHxD) (mm)	396 x 250 x 53	396 x 250 x 59	396 x 250 x 64	
		Cut-out Dimensions (WxH) (mm)	273 x 226	369 x 226	369 x 226	
Net/Gross Weight (kgs)		3.3/5.6	3.74/5.74	4.5/6.5		
Environment	Operating Temperature (°C) (Ambient with air flow)	-20°C~50°C	0°C~50°C	-20°C~50°C		
	Storage Temperature (°C)	-20°C~60°C				
	Humidity	10% to 95% (non-condensing)				
	IP Level	IP 64 compliant front panel				
	Safety&EMC	CE / FCC				
Power	Thermal Solution	Fanless	Smart Fan	Fanless		
	Power Requirement	9 V ~ 30 V				
	Power Consumption	12V@4.16A (Intel® J1900 CPU with 2GB 1333 MHz DDR3 memory)	12V@6.33A (Intel® Intel® Pentium® G3320TE CPU with 4GB 1333 MHz DDR3L memory)	12V@4.6A		

Ordering Information

● Intel® Celeron® Platform

Part No.	Description
AFL3-W15A-BT-J1/PC/2G-R11	Wide 15.6" 300 cd/m ² 1366 x 768 fanless panel PC with Intel® Celeron® J1900 quad core 2 GHz, 802.11a/b/g/n/ac, projected capacitive touch screen, 2GB DDR3L RAM, 2-megapixel camera, microphone, R11
AFL3-W15A-BT-J1/R/2G-R11	Wide 15.6" 300 cd/m ² 1366 x 768 fanless panel PC with Intel® Celeron® J1900 quad core 2 GHz, 802.11a/b/g/n/ac, resistive touch window, 2GB DDR3L RAM, 2-megapixel camera, microphone, R11

● Intel® H81 Platform

Part No.	Description
AFL3-W15B-H81-P/R/4G-R10	Wide 15.6" 300 cd/m ² 1366 x 768 panel PC with Intel® H81 chipset, Intel® Pentium® G3320TE dual-core processor (2.3 GHz), TDP 35W, two 2GB DDR3 RAM, 802.11a/b/g/n/ac, resistive touch screen, 2-megapixel camera, microphone, R10
AFL3-W15B-H81-i3/R/4G-R10	Wide 15.6" 300 cd/m ² 1366 x 768 panel PC with Intel® H81 chipset, Intel® Core™ i3-4330TE dual-core processor (2.4 GHz), TDP 35W, two 2GB DDR3 RAM, 802.11a/b/g/n/ac, resistive touch screen, 2-megapixel camera, microphone, R10
AFL3-W15B-H81-i5/R/4G-R10	Wide 15.6" 300 cd/m ² 1366 x 768 panel PC with Intel® H81 chipset, Intel® Core™ i5-4570TE dual-core processor (2.7 GHz), TDP 35W, two 2GB DDR3 RAM, 802.11a/b/g/n/ac, resistive touch screen, 2-megapixel camera, microphone, R10
AFL3-W15B-H81-P/PC/4G-R10	Wide 15.6" 300 cd/m ² 1366 x 768 panel PC with Intel® H81 chipset, Intel® Pentium® G3320TE dual-core processor (2.3 GHz), TDP 35W, two 2GB DDR3 RAM, 802.11a/b/g/n/ac, PCAP touch screen, 2-megapixel camera, microphone, R10
AFL3-W15B-H81-i3/PC/4G-R10	Wide 15.6" 300 cd/m ² 1366 x 768 panel PC with Intel® H81 chipset, Intel® Core™ i3-4330TE dual-core processor (2.4 GHz), TDP 35W, two 2GB DDR3 RAM, 802.11a/b/g/n/ac, PCAP touch screen, 2-megapixel camera, microphone, R10
AFL3-W15B-H81-i5/PC/4G-R10	Wide 15.6" 300 cd/m ² 1366 x 768 panel PC with Intel® H81 chipset, Intel® Core™ i5-4570TE dual-core processor (2.7 GHz), TDP 35W, two 2GB DDR3 RAM, 802.11a/b/g/n/ac, PCAP touch screen, 2-megapixel camera, microphone, R10

● Intel® Skylake ULT3 Platform Preliminary

Part No.	Description
AFL3-W15C-ULT-C/R/4G-R10	Wide 15.6" 300 cd/m ² 1366x768 Panel PC with withIntel® 14nm 6th Generation Mobile Celeron® 3955U (15W) on-board Processor (ULT), 1*4GB DDR4 RAM, 802.11a/b/g/n/ac WiFi module, resistive touch, 2M camera, microphone,R10
AFL3-W15C-ULT-i5/R/4G-R10	Wide 15.6" 300 cd/m ² 1366x768 Panel PC with Intel® 14nm 6th Generation Mobile Core™ i5- 6300U (15W) on-board Processor (ULT), 1*4GB DDR4 RAM, 802.11a/b/g/n/ac WiFi module, resistive touch, 2M camera, microphone,R10
AFL3-W15C-ULT-C/PC/4G-R10	Wide 15.6" 300 cd/m ² 1366x768 Panel PC with withIntel® 14nm 6th Generation Mobile Celeron® 3955U (15W) on-board Processor (ULT), 1*4GB DDR4 RAM, 802.11a/b/g/n/ac WiFi module, PCAP touch, 2M camera, microphone, R10
AFL3-W15C-ULT-i5/PC/4G-R10	Wide 15.6" 300 cd/m ² 1366x768 Panel PC with Intel® 14nm 6th Generation Mobile Core™ i5-6300U (15W) on-board Processor (ULT), 1*4GB DDR4 RAM, 802.11a/b/g/n/ac WiFi module, PCAP touch, 2M camera, microphone,R10

Options

Preliminary

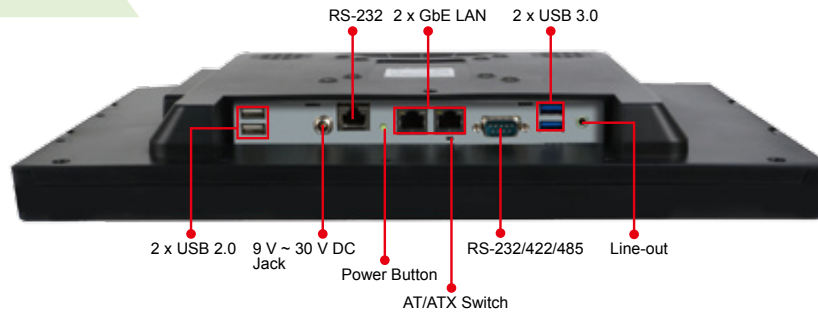
Item	AFL3-W15A-BT	AFL3-W15B-H81	AFL3-W15C-ULT3
Panel Mounting Kit	AFL3PK-W07A-R10		
Wall Mounting Kit	AFLWK-19B		
Rack Mounting Kit	AFL3RK-W15A-R10	AFL3RK-W15B-R10	AFL3RK-W15C-R10
Arm	ARM-11-RS/ARM-31-RS		
Stand	STAND-A21-R10/ STAND-210-R11/STAND-A19-RS/STAND-C19-R10		
Magnetic Card Reader	AFL3P-W10MSR-U-R10		
Barcode Scanner	AFL3-2D-R10		
RFID Reader (13.56 MHz Mifare Type) (For ATO assembly)	AFL3-MF-RFID-KIT02-R10*	AFL3-MF-RFID-KIT02-R10	AFL3-MF-RFID-KIT02-R10
OS: Win 7 Embedded (64-bit)	AFL3-W07A-BT-WES7P64-R11 (for PCAP touch) AFL3-W07A-BT-WES7E64-R11 (for Resistive touch)	AFL3-W15B-H81-WES7P64-R10 (for PCAP touch) AFL3-W15B-H81-WES7E64-R10 (for Resistive touch)	AFL3-W15C-ULT3-WES7P64-R10 (for PCAP touch) AFL3-W15C-ULT3-WES7E64-R10 (for Resistive touch)
OS: Win 8 Embedded (64-bit)	AFL3-W07A-BT-WE8S64-R10	AFL3-W15B-H81-WE8S64-R10	AFL3-W15C-ULT3-WE8S64-R10

*RFID support after AFL3-xxA-BT R11 version

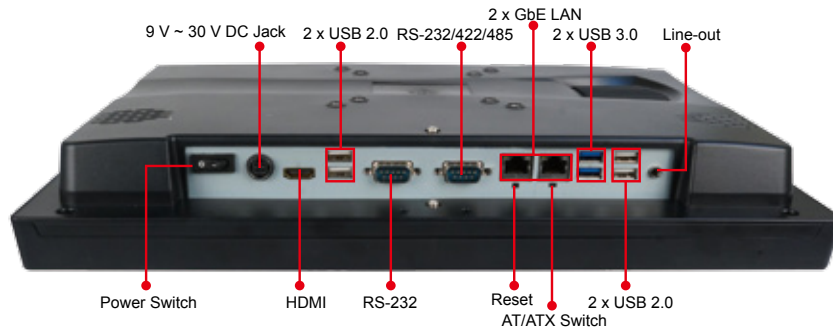
Packing List

Item	Part No.	Q'ty	Description
One Key Recovery DVD	7B000-001083-RS	1	
Round head machine screw	44003-020041-RS (W15A-BT/15B-H81)	4	M2*4 round head machine screw
Pan head machine screw	44403-040061-RS	4	M4*6 pan head machine screw
Fix holder	46003-009500-RS	2	
Power cord	32702-000200-100-RS	1	
Power adapter	63040-010060-120-RS (W15A-BT)	1	60W; Vin: 90V~264V AC; Vout: 12VDC
	63040-010096-100-RS (W15B-H81)	1	96W; Vin: 90V~264V AC; Vout: 12VDC
Driver CD		1	
RJ-45 to DB-9 COM port transfer cable	32005-000200-200-RS (W15A-BT)	1	300mm, 26AWG, (A) D-SUB 9 male, (B) RJ-45
Touch pen	43125-0002C0-00-RS	1	Resistive touch screen only

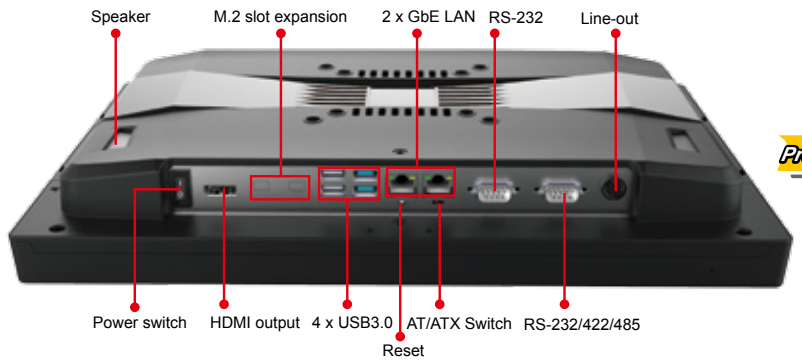
AFL3-W15A-BT
Fully Integrated I/O



AFL3-15B-H81
Fully Integrated I/O

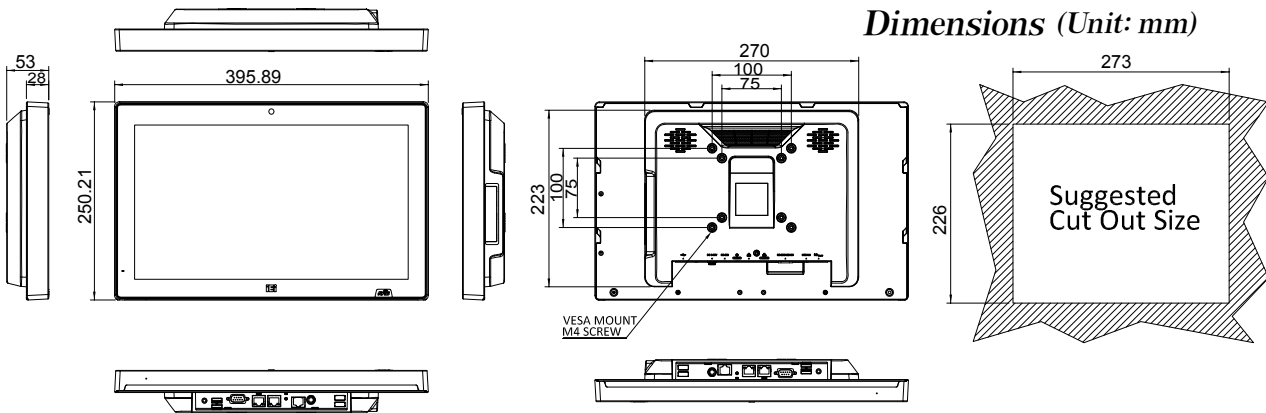


AFL3-W15C-ULT3
Fully Integrated I/O

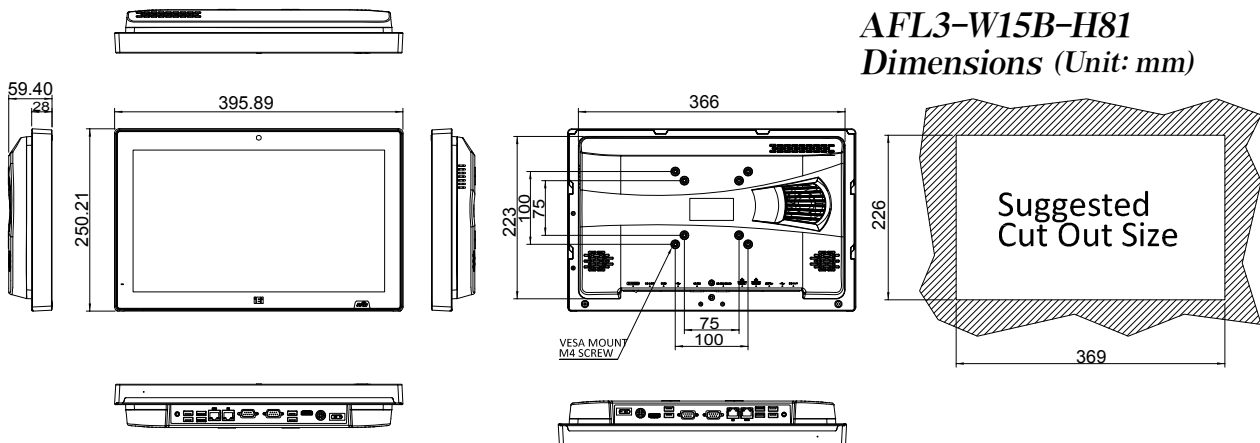


Preliminary

AFL3-W15A-BT
Dimensions (Unit: mm)



AFL3-W15B-H81
Dimensions (Unit: mm)



Mouser Electronics

Authorized Distributor

Click to View Pricing, Inventory, Delivery & Lifecycle Information:

[IEI:](#)

[AFL3-W15B-H81-i5/PC/4G-R10](#) [AFL3-W15B-H81-P/PC/4G-R10](#) [AFL3-W15B-H81-i5/R/4G-R10](#) [AFL3-W15B-H81-i3/R/4G-R10](#) [AFL3-W15B-H81-P/R/4G-R10](#) [AFL3-W15B-H81-i3/PC/4G-R10](#) [AFL3-W15A-BT-J1/R/2G-R11](#) [AFL3-W15A-BT-J1/PC/2G-R11](#) [AFL3-W15A-BT-J1/PC/2G-R10](#) [AFL3-W15A-BT-J1/R/2G-R10](#) [AFL3-W15B-H81-WES7E64-R10](#) [AFL3-W15B-H81-WES7P64-R10](#)