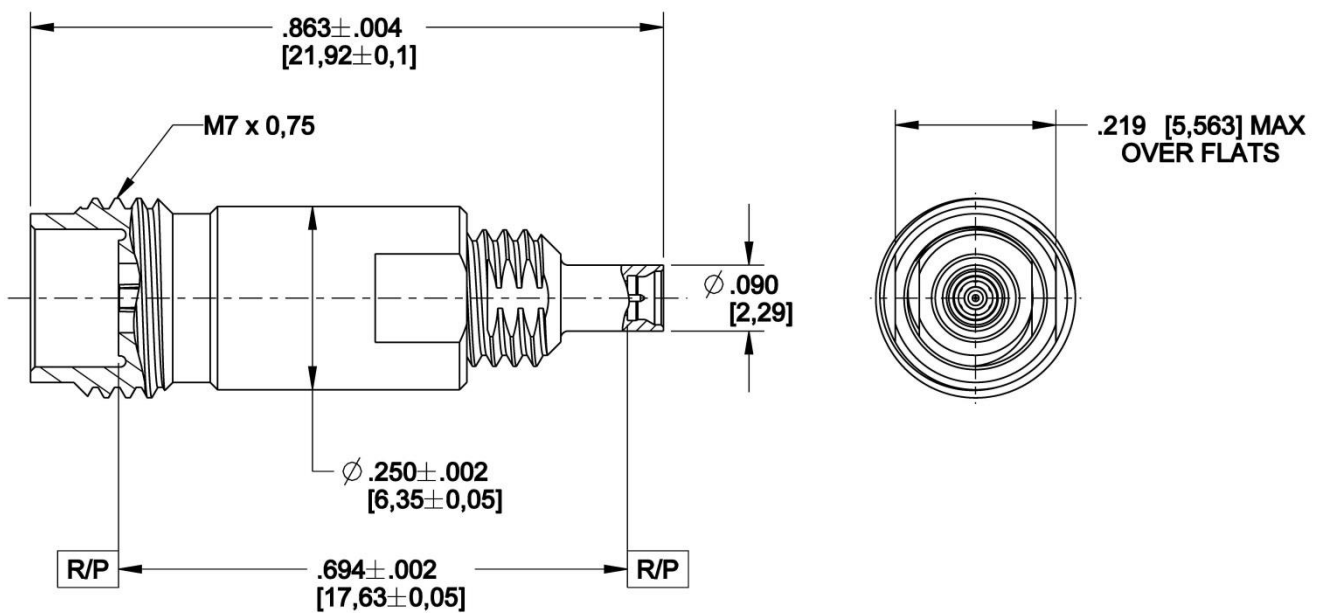


WSMP

Male Full Detent to 2.4mm
Female Test Adapter

W1S109-K00S3



All dimensions are in inches [mm]

Interface

According to

Rosenberger WSMP™ Interface standards

Material and plating

Connector parts

WSMP (M) and 2.4mm Body
Contact

Material

Stainless Steel
CuBe

Plating

Passivated
Hard gold 50µIN [1,27µm] min over
Nickel 50µIN [1,27µm] min

Dielectric
Dielectric

PTFE
Ultem® 1000

Dieses Dokument ist urheberrechtlich geschützt • This document is protected by copyright • Rosenberger Hochfrequenztechnik GmbH & Co. KG

Electrical data

Impedance	50 Ω
Frequency	DC to 50 GHz
Return loss (typical)	≥ 26 dB, DC to 40 GHz
	≥ 19 dB, 40 to 50 GHz
Insertion loss	≤ 0.12 x √f(GHz) dB
Insulation resistance	≥ 3.5 x 10 ³ MΩ
Center contact resistance	≤ 2.0 mΩ
Outer contact resistance	≤ 6.0 mΩ
Test voltage (at sea level)	250 V rms
RF High Potential (at sea level)	150 V rms @ 5 MHz
RF-leakage	≥ -80 dB @ 3 GHz (typical mated pair)

Mechanical data

Mating cycles	
- Full Detent	≥ 100
- Smooth Bore	≥ 500
- Ultra Smooth Bore	≥ 500
Engagement force (typical)	
- Full Detent	2.5 lb _f [11 N]
- Smooth Bore	1.2 lb _f [5.3 N]
- Ultra Smooth Bore	1.0 lb _f [4.5 N]
Disengagement force (typical)	
- Smooth Bore	4.5 lb _f [20 N]
- Smooth Bore	1.0 lb _f [4.5 N]
- Ultra Smooth Bore	1.0 lb _f [4.5 N]

Environmental data

Temperature range	-55°C to +165°C
Thermal shock	MIL-STD-202, Method 107, Condition B
Corrosion	MIL-STD-202, Method 101
Vibration	MIL-STD-202, Method 204, Condition D
Shock	MIL-STD-202, Method 213, Condition I
Moisture resistance	MIL-STD-202, Method 106, except Step 7B
Max soldering temperature	IEC 61760-1, +500°F [+260°C] for 10 seconds
2002/95/EC (RoHS)	compliant

Tooling

Extraction tool	N/A
-----------------	-----

Suitable cables

N/A

Packing

Standard	1 per box
----------	-----------

Dieses Dokument ist urheberrechtlich geschützt • This document is protected by copyright • Rosenberger Hochfrequenztechnik GmbH & Co. KG

RF_35/05.10/6.0

Draft	Date	Approved	Date	Rev.	Engineering change number	Name	Date
R. Hosler	07/25/2014	M. Peeran	07/25/2014	a01	ECN 14-0001	M. Peeran	07/25/2014
Rosenberger of North America, LLC P.O. Box 309 Akron, PA USA 17501 www.rosenbergerna.com					Tel. : +1.717.859.8900 Fax : +1.717.859.7044 Email : info@rosenbergerna.com		Page 2 / 2

Mouser Electronics

Authorized Distributor

Click to View Pricing, Inventory, Delivery & Lifecycle Information:

[Rosenberger:](#)

[W1S109-K00S3](#)