

NOTES:

1.0 ELECTRICAL SPECIFICATIONS:

- 1.1 FREQUENCY RANGE: 0.5 to 18.0 GHz.
- 1.2 INSERTION LOSS: $(0.5 + 0.1f)$ dB
WHERE f = FREQUENCY IN GHz
- 1.3 ISOLATION: 15dB MIN.
- 1.4 VSWR (MAX): 1.50:1 0.5-8.0 GHz
1.70:1 8.0-12.0 GHz
1.90:1 12.0-18.0 GHz

1.5 OUTPUT UNBALANCE:

- 1.5.1 AMPLITUDE: 0.5dB MAX.
- 1.5.2 PHASE: 10° MAX.

1.6 MAXIMUM INPUT POWER: 10 WATTS

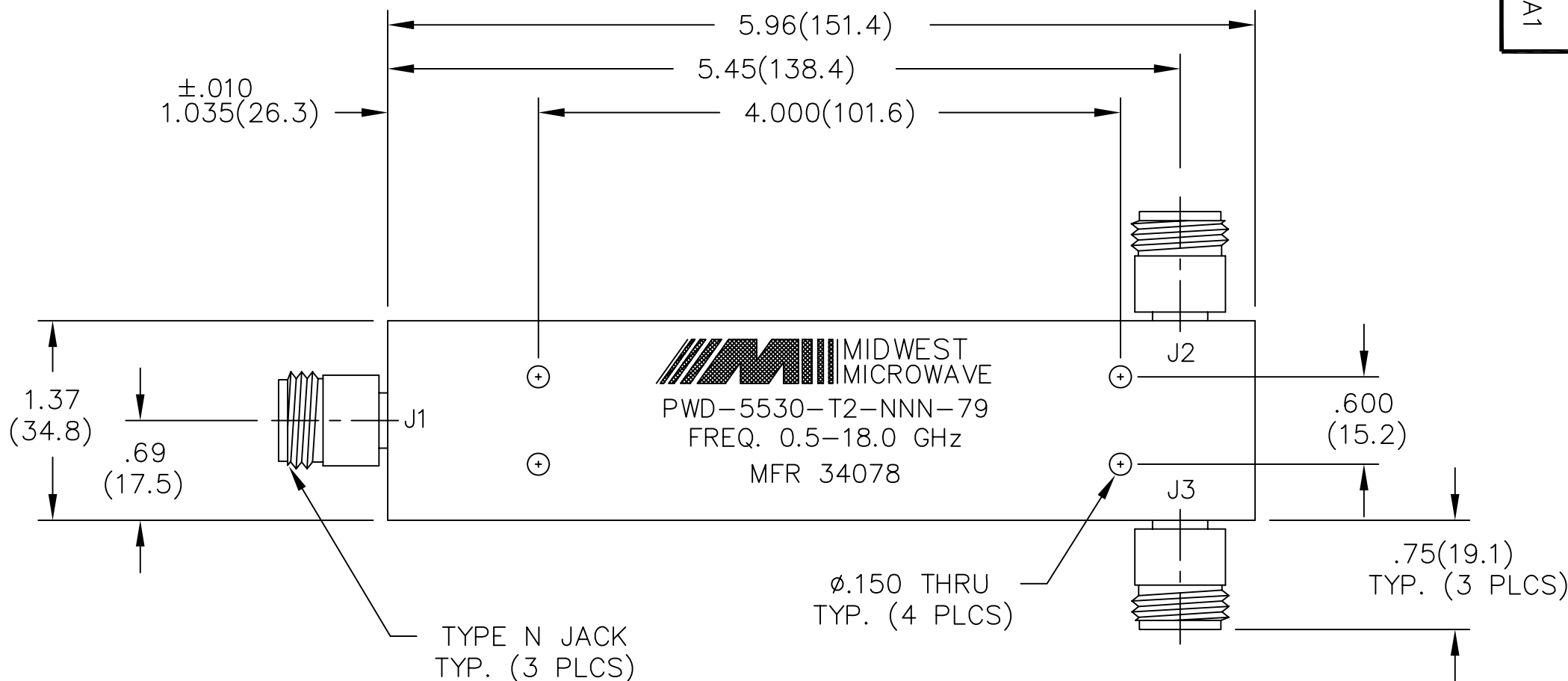
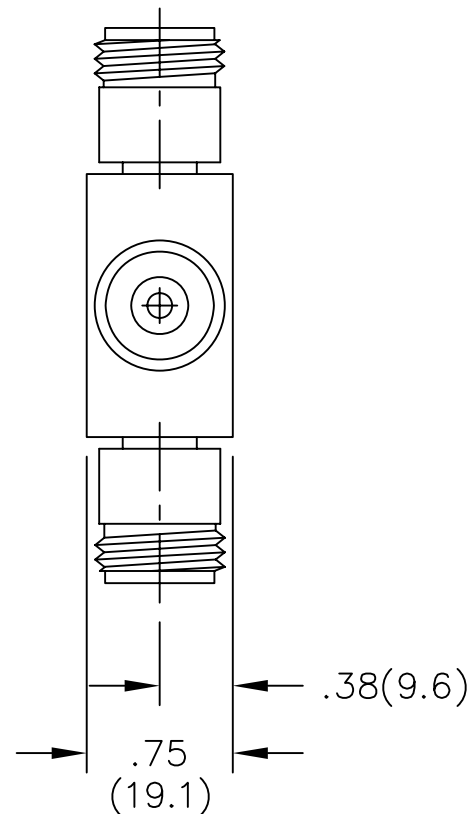
(WITH OUTPUT LOADS OF VSWR < 2.0:1)

2.0 FINISH:

- 2.1 GREY PER MIL-E-15090 TYPE II, CLASS 2
OVER MIL-C-5541 CLASS 3A
MEETS MIL-F-14072
MEETS MIL-E-5400
- 2.2 MARKING: MARK UNIT AS SHOWN.
(REF.: SLK-08048-82-01)

3.0 DIMENSIONS IN PARENTHESIS ARE
IN MILLIMETERS.

MODEL NUMBER
PWD-5530-T2-NNN-79
REV.
A1



MIDWEST MICROWAVE
PWD-5530-T2-NNN-79
FREQ. 0.5-18.0 GHz
MFR 34078

UNLESS OTHERWISE NOTED DIMENSIONS ARE IN INCHES AND TOLERANCES ARE:		FSCM NO. 34078		MIDWEST MICROWAVE	
3 PLACE DECIMALS ±.005		NOTICE: The information contained in this drawing is proprietary and must not be used without the permission of Midwest Microwave		TITLE POWER DIVIDER	
2 PLACE DECIMALS ±.02					
FRACTIONS ±1/64		DRAWN/DATE J. VERNON 4/15/97		ENG./DATE P. GOODMAN 5/16/97	
PARALLELITY: T.I.R. _____		CHECKED/DATE		APPROVED/DATE	
FLATNESS: T.I.R. _____		DRAWING NUMBER PWD-5530-T2-NNN-79			
CONCENTRICITY: T.I.R. _____		SCALE: 1=1 SHEET 1 of 1			
ANGLES AND PERPENDICULARITY: ±1°					

DATE	5/16/97	8/14/97	7/20/05
DESCRIPTION	RELEASED	ECN 16158	ADDED TITLEBLOCK
REV.	-	A	A1

Mouser Electronics

Authorized Distributor

Click to View Pricing, Inventory, Delivery & Lifecycle Information:

[Cinch Connectivity Solutions:](#)

[PWD-5530-T2-NNN-79](#)