

K12S

High Performance SMT Key Switches



Features/Benefits

- Harsh environment applications - IP67
- Compatible with SMT lead free soldering process
- Illuminated
- Excellent tactile feel
- High reliability / long life
- DPST and detect versions available
- RoHS compliant

Typical Applications

- Automotive
- Joysticks
- Off-road transportation
- Motorcycles
- Industrial
- Medical

Construction:

FUNCTION: Momentary
 CONTACT ARRANGEMENT: SPST or DPST
 CONTACT TYPE: NO or NC
 TERMINALS: SMT

Mechanical

TOTAL TRAVEL: 1,5 mm
 OPERATING FORCE: 3N; 3,5N; 5N; 6N; 9N 4/8 N; 6/12 N
 SEALING: IP40 or IP67

Packaging

Reels of 900 pieces

Electrical

SWITCHING POWER MIN./MAX.: 0.02mW/3 W DC
 SWITCHING VOLTAGE MIN./MAX.: 2 V / 30 V DC
 SWITCHING CURRENT MIN./MAX.: 10 mA /100 mA DC
 DIELECTRIC STRENGTH: > 300 V RMS
 OPERATING LIFE: > 10⁶ operations (detect version) / 2x10⁵ operations (versions with tactile effect)
 CONTACT RESISTANCE: Initial < 100mΩ - After test < 250mΩ
 INSULATION RESISTANCE: >10⁹ Ω
 BOUNCE TIME: < 10 ms

Environmental

OPERATING TEMPERATURE: -40°C to 85°C.
 STORAGE TEMPERATURE: -40°C to 95°C.
 RoHS compliant and Halogen free.

Process

SOLDERABILITY: Lead free soldering compatible.

How To Order

Our easy build-a-switch concept allows you to mix and match options to create the switch you need. To order, select desired option from each category and place it in the appropriate box.



Sub-Series

- A** IP40 with peg
- B** IP67 with peg
- C** IP40 without peg
- D** IP67 without peg

Option

- S** SPST version
- L** LED version (SPST)
- D** DPST version

LED Color

- NONE** No LED
- YE0** Yellow
- RD0** Red
- GN0** Green
- OR0** Orange
- WHO** White
- AMO** Amber

Travel

- 1.5** 1.5 mm

Operating Force

- 3N** 3 N (detect - no tactile)
- 3.5N** 3,5 N
- 5N** 5 N
- 6N** 6 N
- 9N** 9 N
- 4/8N** 4/8 N DPST (double step actuation)
- 6/12N** 6/12 N DPST (double step actuation)

Contact Arrangement

- O** Normally open (SPST)
- C** Normally closed (SPST)
- OO** 2 Normally open (DPST)
- CC*** 2 Normally closed (DPST)
- OC*** 1 Normally open
- 1 Normally closed (DPST)

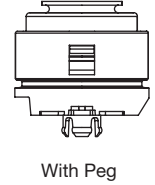
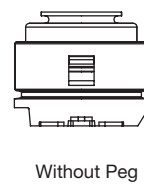
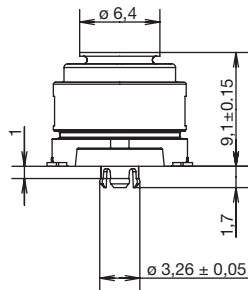
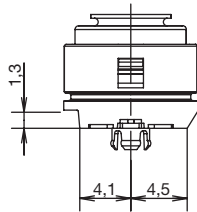
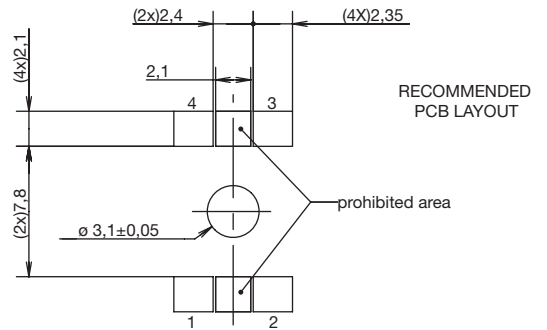
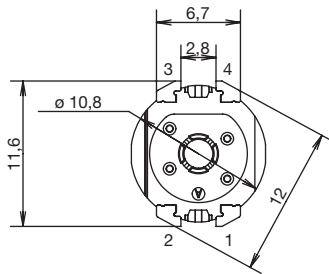
LFTX

Lead free, RoHS terminals tin plated Translucent button

* Please contact technical support for this configuration

K12S High Performance SMT Key Switches

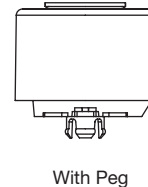
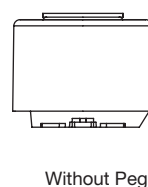
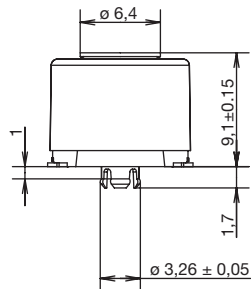
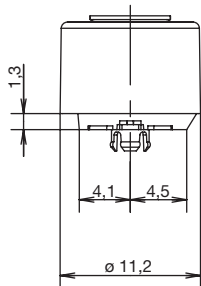
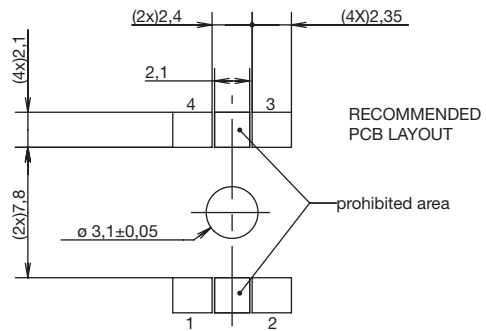
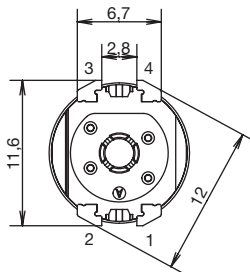
K12SA/K12SC IP40 with peg / IP40 without peg



Without Peg

With Peg

K12SB / K12SD IP67 with peg / IP67 without peg



Without Peg

With Peg



D

Key Switches



First Angle Projection

Dimensions are shown: mm
Specifications and dimensions subject to change

K12S High Performance SMT Key Switches

OPTION

S SPST version

L LED version

D DPST version

Single NO

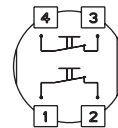
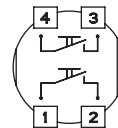
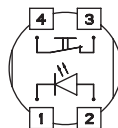
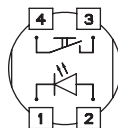
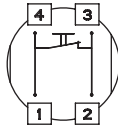
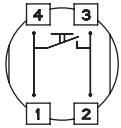
Single NC

Single NO
+ LED

Single NC
+ LED

Double NO

Double NC



LED COLOR

OPTION CODE	LED COLOR
	No LED
YE0	Yellow
RD0	Red
GN0	Green
OR0	Orange
WH0	White
AM0	Amber

TRAVEL

1.5 1.5 mm

OPERATING FORCE

OPTION CODE	OPERATING FORCE
3N	3N (detect - no tactile)
3.5N	3.5N
5N	5N
6N	6N
9N	9N
4/8N	4/8N (double step actuation)
6/12N	6/12N (double step actuation)

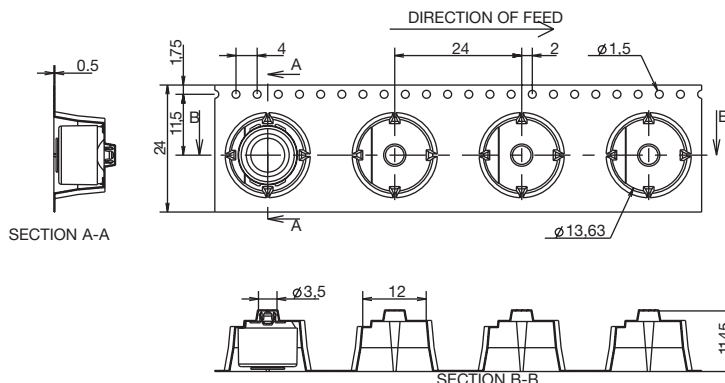
CONTACT ARRANGEMENT

- O** Normally open (SPST and LED versions)
- C** Normally closed (SPST and LED versions)
- OO** 2 Normally open (DPST version)

- CC*** 2 Normally closed (DPST version)
- OC*** 1 Normally open/ 1 Normally closed (DPST)

* Please contact technical support for this configuration

TAPE AND REEL



Dimensions are shown: mm
Specifications and dimensions subject to change

Mouser Electronics

Authorized Distributor

Click to View Pricing, Inventory, Delivery & Lifecycle Information:

[C&K Switches:](#)

[K12SA-D-1.5-6/12N-00-LFTX](#)