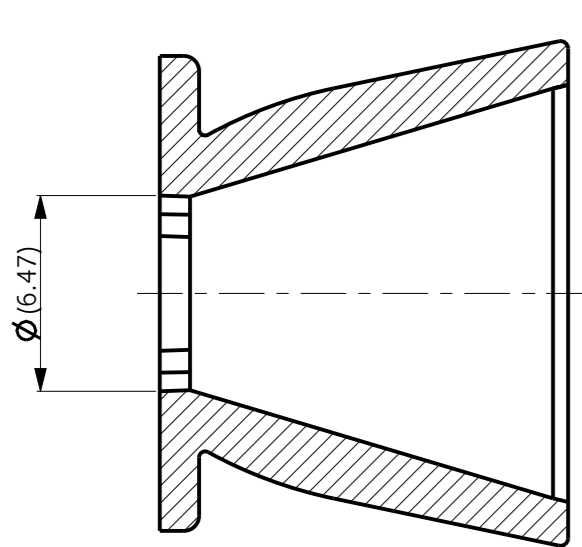




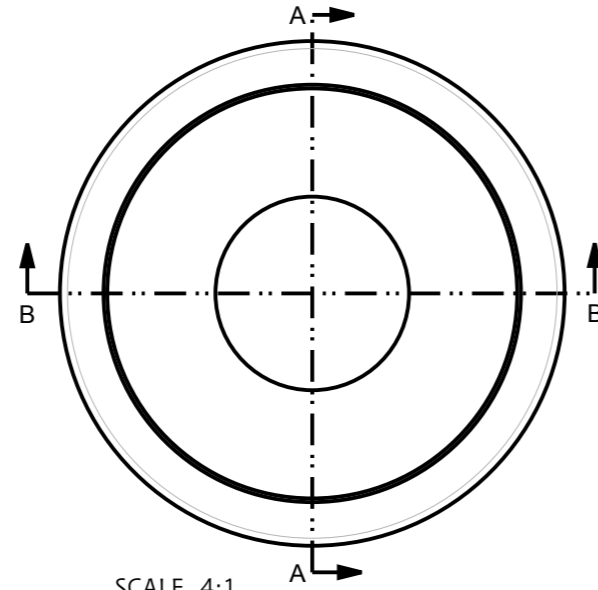
SCALE 1:1

CUSTOMER DRAWING SHEET 2 ONLY

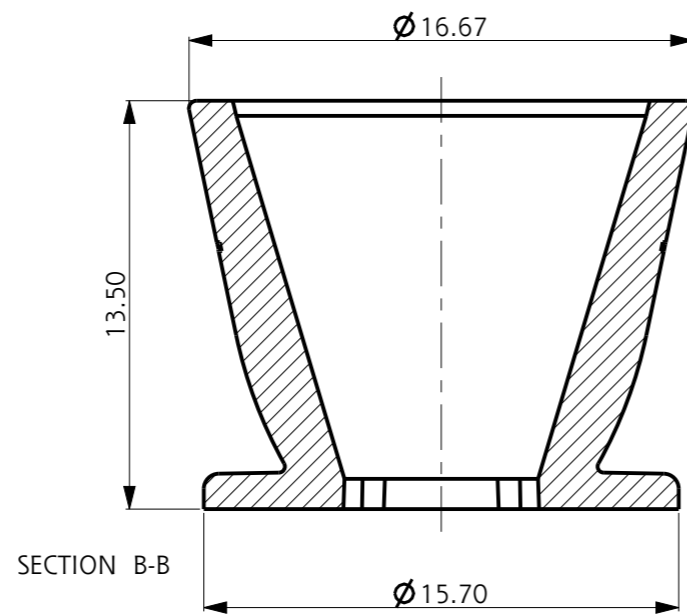
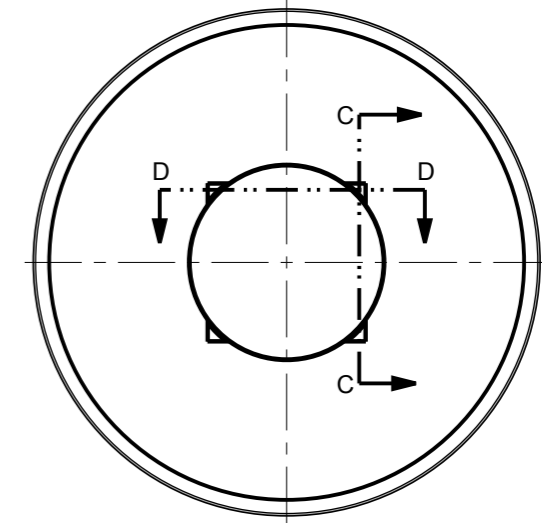
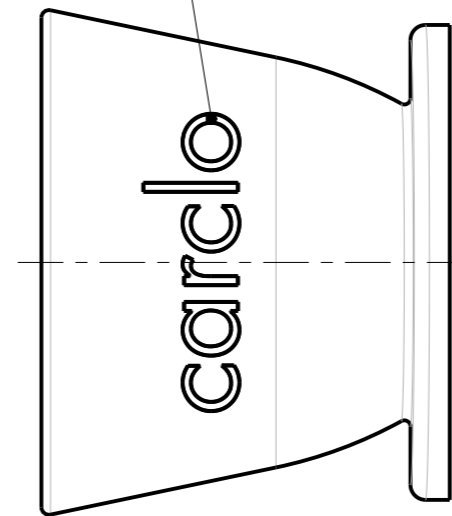
REV.	DATE	D.C.N. No	DESCRIPTION
1	13/01/12		FIRST ISSUE
2	21/06/12	06/12/1 337	CHANGED SURFACE TEXTURE FINISH FROM VDI 30-33 TO VDI 21-24
2A	15/08/12	07/12/1 342	ADDED SUBSTRATE TABLE AND TIDIED UP DRAWING
2B	19/01/16	1450 / 1458	TOLS UPDATED TO DIN16742:TG5. REDIMENSIONED FOR INSPECTION. ALT MTL ADDED. P.SUTTON



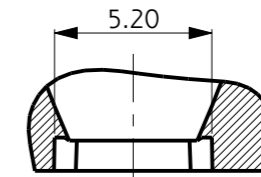
SECTION A-A



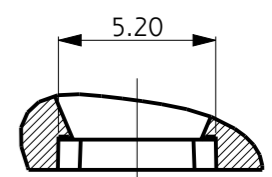
SCALE 4:1



SECTION B-B



SECTION C-C
SCALE 4:1



SECTION D-D
SCALE 4:1

NOTES:

- 1 - MATERIAL: POLYCARBONATE
- 2 - FINISH: COMMERCIAL POLISH FOR ALL NON OPTICAL SURFACES
- 3 - OVERALL PART THICKNESS = 1.4mm
- 4 - COLOUR CARCLO GREY
- 5 - GENERAL DRAFT 1°
- 6 - SIMPLIFIED GEOMETRY SHOWN. NOT SUITABLE FOR OPTICAL RAYTRACE

Sheet 2 of 2

<p>technical plastics 103 BUCKINGHAM AVE, SLOUGH, BERKSHIRE, SL1 4PF, UK Tel: +44 1753 610800 Fax: +44 1753 811359 design@carclo-optics.com www.carclo-optics.com</p>	Title	ARCHIMEDES MEDIUM BEAM HIGHBAY REFLECTOR - SELF LOCATING				
	Customer	CARCLO				
Drawn by	FP	Material	SEE NOTE	Scale	AS SPEC.	
THIRD ANGLE PROJECTION	GENERAL TOLERANCES UNLESS OTHERWISE STATED DIN16742:TG5		DIMENSIONS IN mm		Format Size	A3
	CONFIDENTIAL: UNAUTHORISED COPYING, DISCUSSION & DISTRIBUTION PROHIBITED		CAD File	12532-70031_REV-2B_ARCH60SL		
	Drw. N°	70031	Part N°	12532		

Mouser Electronics

Authorized Distributor

Click to View Pricing, Inventory, Delivery & Lifecycle Information:

[Carclo:](#)

[12532](#)