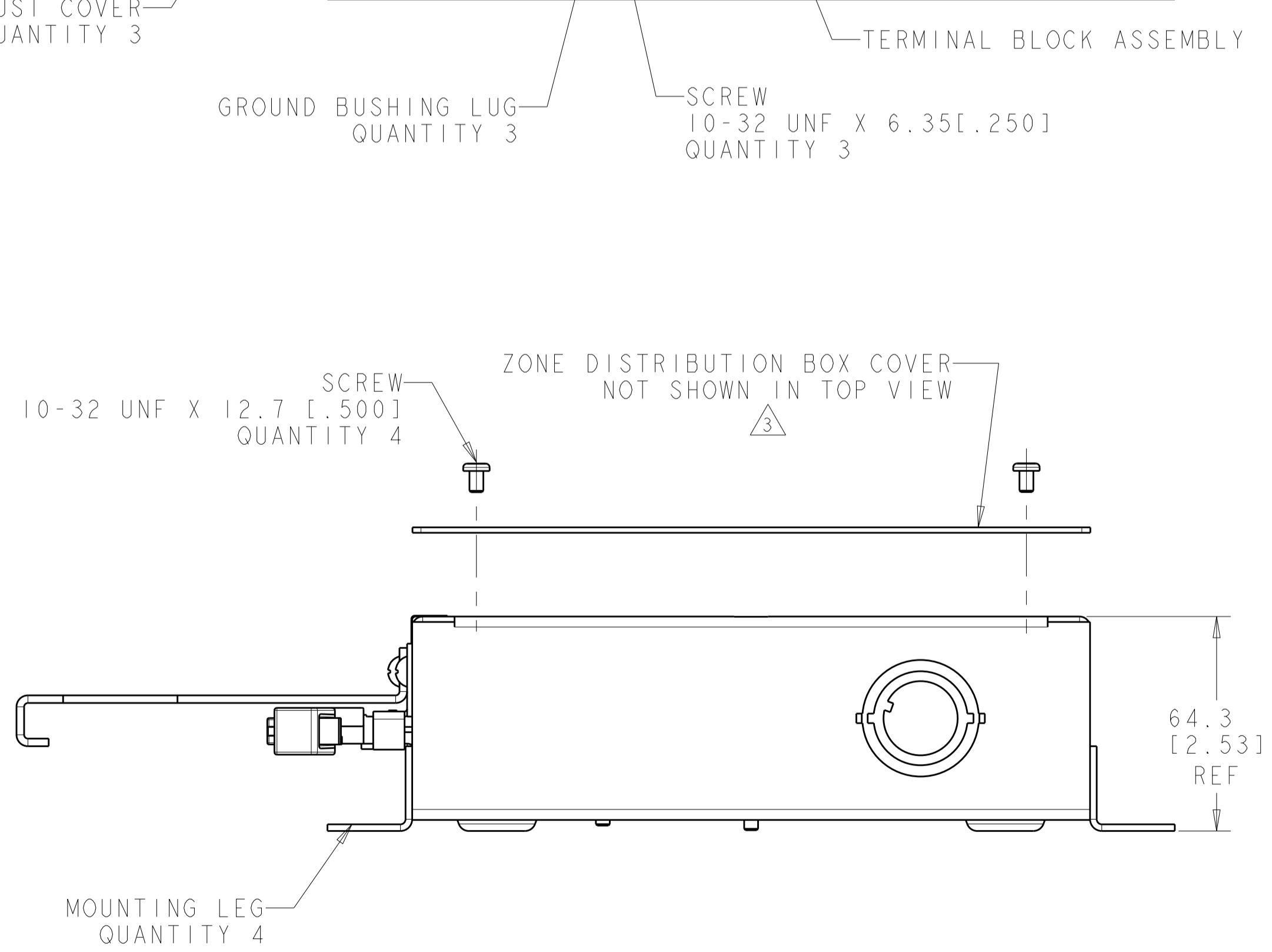
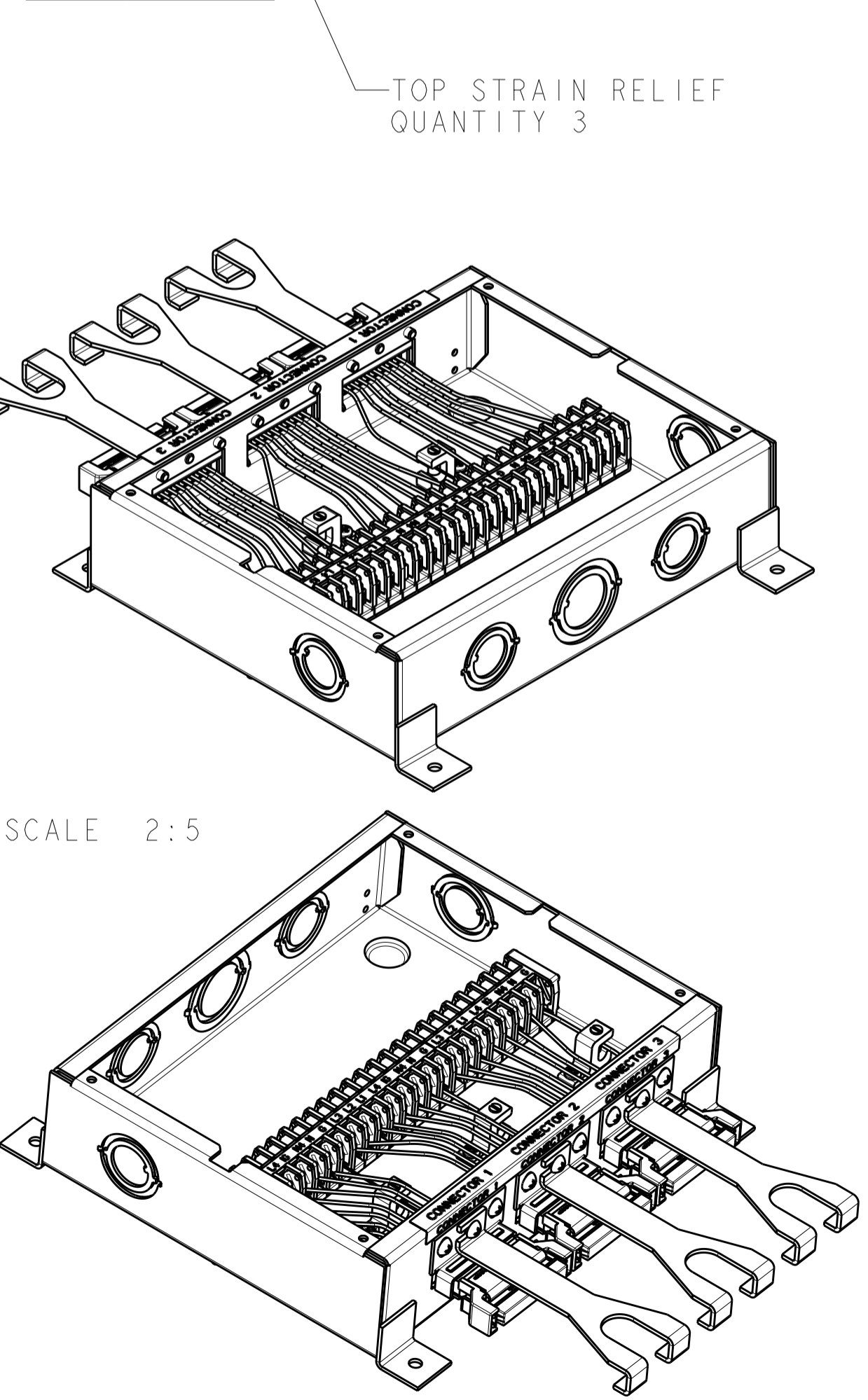
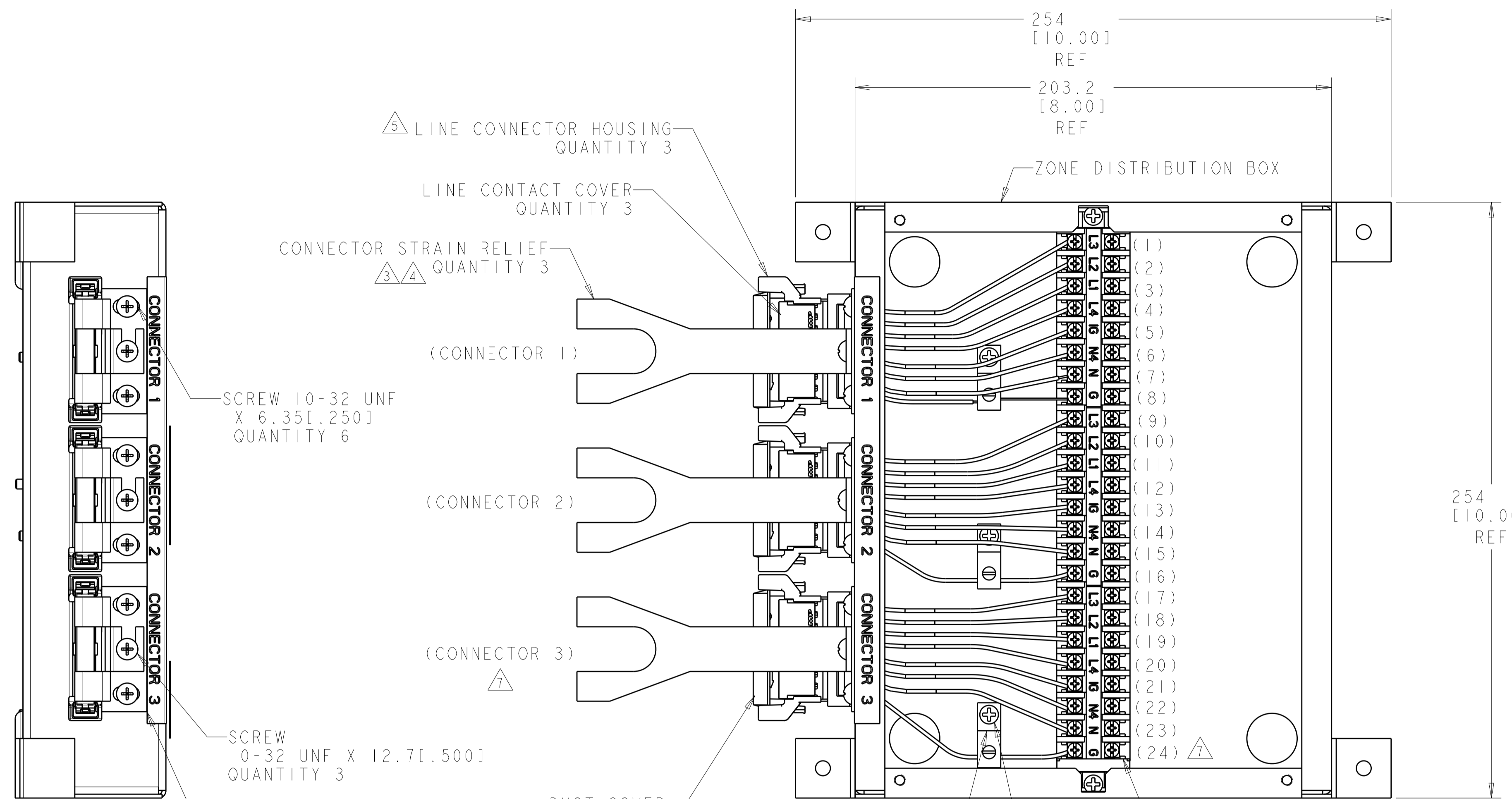


LOC	DIST	REVISIONS			
HM	00	REV	PER	DATE	BY
		C	REV PER ECO-12-020239	04DEC2012	JM MS



1. DIMENSIONS ARE NOMINAL UNLESS OTHERWISE SPECIFIED.
2. MATERIAL:
 CONNECTOR HOUSINGS - POLYCARBONATE, UL 94V-0 RATED.
 CONNECTOR CONTACTS - COPPER ALLOY WITH SILVER PLATED STRIP .00381 [0.000150] MIN THICK.
 TERMINAL BLOCKS - POLYESTER, UL 94V-0 RATED.
 TERMINAL BLOCK TUBULAR CONTACTS - COPPER ALLOY, NICKEL PLATED.
 TERMINAL BLOCK TUBULAR SCREW - CARBON STEEL, ZINC PLATED.
 GROUND LUG - ALUMINUM ALLOY, TIN PLATED.
 BOX, COVER, STRAIN RELIEFS - CARBON STEEL, ZINC COATED.
 FASTENERS - CARBON STEEL, ZINC PLATED.
3. BOX SHIPPED PREWIRED WITH COVER AND STRAIN RELIEFS INSTALLED.
4. CONNECTOR STRAIN RELIEFS SHOWN ASSEMBLED FOR SHIPPING. REMOVE EACH STRAIN RELIEF PRIOR TO CONNECTING POWER CABLE ASSEMBLY TO BOX. RECONNECT STRAIN RELIEF FOR PROPER CABLE CONNECTOR PROTECTION.
5. CONNECTORS ARE KEYPED AND COLOR CODED TO MAINTAIN POLARITY WITH PROPER SYSTEM COMPONENTS. DO NOT ATTEMPT TO OVERCOME THE KEYING FEATURE BY FORCE.
 - BLACK CONNECTORS IDENTIFY 8-WIRE SHARED NEUTRAL SYSTEMS (4-2-2).
 - NEMA GRAY CONNECTORS IDENTIFY 8-WIRE DEDICATED NEUTRAL SYSTEMS (3-3-2).
6. WIRING TABLE IDENTIFIES CONNECTOR / WIRE COLOR / WIRE DESIGNATION / TERMINAL RELATIONSHIP.
7. DESIGNATIONS IN PARENTHESIS ARE FOR REFERENCE ONLY.
8. APPLICATION: AMPINNERGY (TM) MODULAR POWER DISTRIBUTION SYSTEM, A MANUFACTURED WIRING SYSTEM.

CONNECTOR NO.	WIRE COLOR	DESIGNATION	WIRE COLOR	DESIGNATION	TERMINAL NO.
1	BLUE	LINE 3	BLUE	LINE 3	1
	RED	LINE 2	RED	LINE 2	2
	BLACK	LINE 1	BLACK	LINE 1	3
	GREEN/YELLOW	ISOLATED GROUND	PINK	LINE 4	4
	WHITE/BLUE	NEUTRAL 3	GREEN/YELLOW	ISOLATED GROUND	5
	WHITE/RED	NEUTRAL 2	GRAY	NEUTRAL 4	6
	WHITE	NEUTRAL 1	WHITE	NEUTRAL	7
	GREEN	GROUND	GREEN	GROUND	8
2	BLUE	LINE 3	BLUE	LINE 3	9
	RED	LINE 2	RED	LINE 2	10
	BLACK	LINE 1	BLACK	LINE 1	11
	GREEN/YELLOW	ISOLATED GROUND	PINK	LINE 4	12
	WHITE/BLUE	NEUTRAL 3	GREEN/YELLOW	ISOLATED GROUND	13
	WHITE/RED	NEUTRAL 2	GRAY	NEUTRAL 4	14
	WHITE	NEUTRAL 1	WHITE	NEUTRAL	15
	GREEN	GROUND	GREEN	GROUND	16
3	BLUE	LINE 3	BLUE	LINE 3	17
	RED	LINE 2	RED	LINE 2	18
	BLACK	LINE 1	BLACK	LINE 1	19
	GREEN/YELLOW	ISOLATED GROUND	PINK	LINE 4	20
	WHITE/BLUE	NEUTRAL 3	GREEN/YELLOW	ISOLATED GROUND	21
	WHITE/RED	NEUTRAL 2	GRAY	NEUTRAL 4	22
	WHITE	NEUTRAL 1	WHITE	NEUTRAL	23
	GREEN	GROUND	GREEN	GROUND	24

SCALE 2:5

THIS DRAWING IS A CONTROLLED DOCUMENT. DWG: J. BURWELL 17FEB2009
 CHK: S. JONES 17FEB2009
 APVD: -

SIMENSIONS: mm [INCHES] TOLERANCES UNLESS OTHERWISE SPECIFIED:
 0 PLC ±
 1 PLC ±
 2 PLC ±
 3 PLC ±
 4 PLC ±
 ANGLES ±

MATERIAL: FINISH:

PRODUCT SPEC: APPLICATION SPEC: WEIGHT: CUSTOMER DRAWING: SCALE 3:4 SHEET 1 OF 1 REV C

NAME: ZONE POWER DISTRIBUTION KIT, AMPINNERGY
 SIZE: CAGE CODE: DRAWING NO: A100779C=1933419
 RESTRICTED TO:

Mouser Electronics

Authorized Distributor

Click to View Pricing, Inventory, Delivery & Lifecycle Information:

[TE Connectivity Divested:](#)

[1933419-3](#)