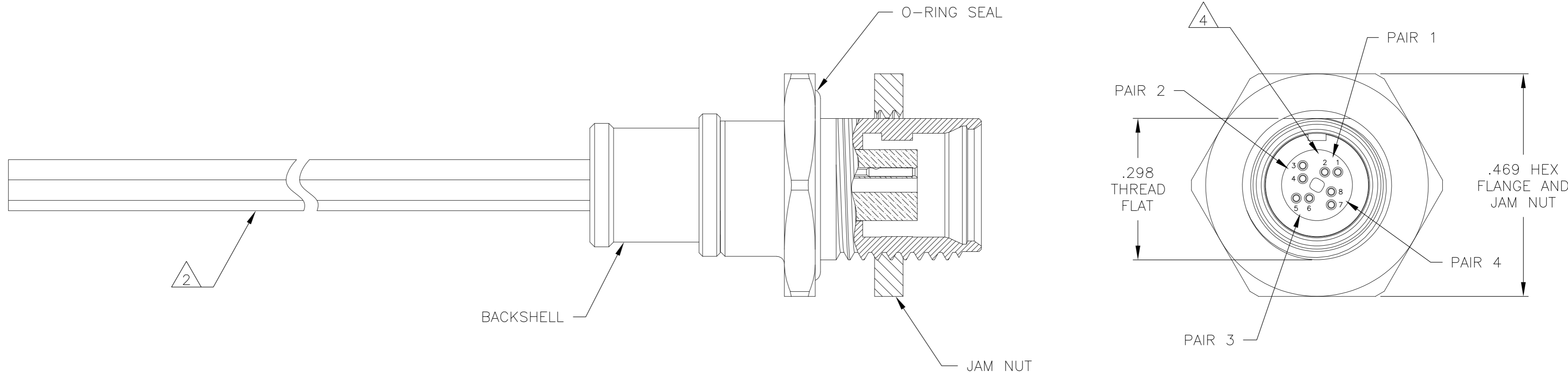
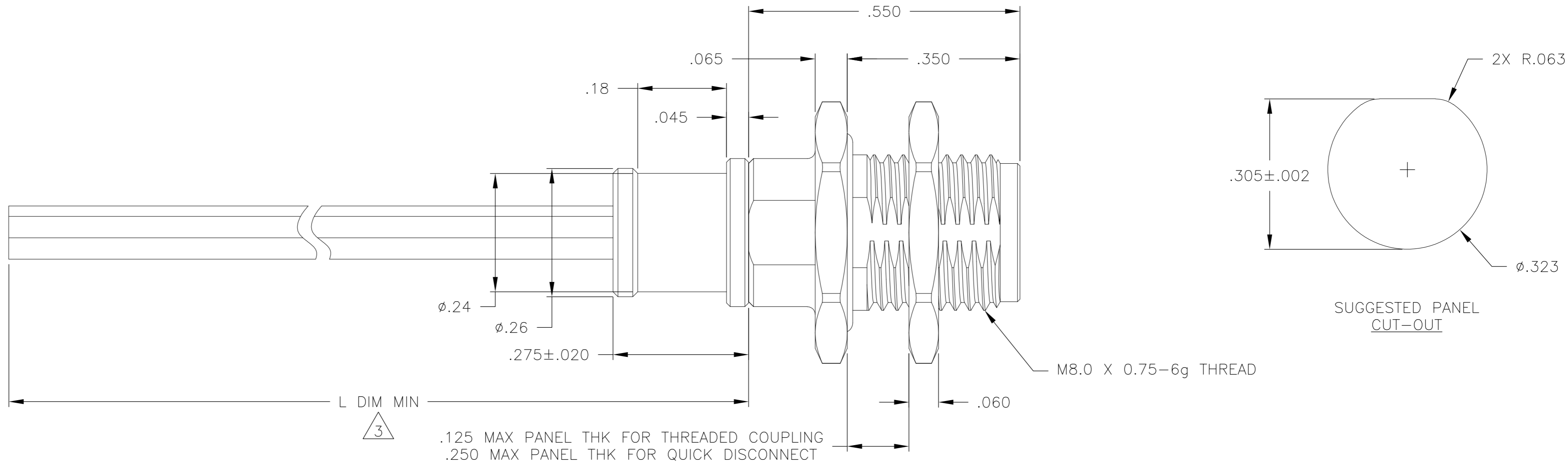


THIS DRAWING IS UNPUBLISHED. RELEASED FOR PUBLICATION
 © COPYRIGHT - By - ALL RIGHTS RESERVED.

LOC		DIST		REVISIONS			
P	LTR	DESCRIPTION	DATE	DWN	APVD		
	A	PRODUCTION RELEASE PER ECO-13-014747	9-18-13	CT	RL		



- 1 CONNECTOR BODY, JAM NUT, AND BACKSHELL MATERIAL:
6061-T6 ALUMINUM, ELECTROLESS NICKEL PLATED PER SAE-AMS-C-26074 OR SAE-AMS-2404
INSULATOR MATERIAL: LIQUID CRYSTAL POLYMER (LCP) PER ASTM D5138
O-RING MATERIAL: FLUOROSILICONE PER SAE-AMS-R-25988
- 2 TERMINATED WITH MADISON CABLE 30 AWG 10G TURBO TWIN PAIR
- 3 CABLE LENGTH IS AS INDICATED IN THE CORRESPONDING NANONICS PART NUMBER
- 4 CAVITY POSITIONS ARE SHOWN FOR REFERENCE ONLY AND ARE NOT MARKED ON THE PART
- 5 BONDING RESISTANCE OF CONNECTOR BODY TO BACKSHELL SHALL BE 25 MILLIOHMS MAXIMUM
- 6 LUBRICATE O-RING WITH PARKER SUPER-O-LUBE PRIOR TO INSTALLATION
- 7 REFERENCE TE PRODUCT SPECIFICATION 108-32048 FOR PRODUCT DETAILS AND PERFORMANCE

THIS DRAWING IS A CONTROLLED DOCUMENT.		DWN M STORRY 30 JUL 2012		TE Connectivity	
DIMENSIONS: INCHES		CHK M STORRY 30 JUL 2012		NAME RECEPTACLE ASSEMBLY, CIRCULAR, REAR PANEL MT, THD COUPLING/QUICK DISC, STRAIGHT BACKSHELL METAL, 8 POS, 10GbE, CeeLok FAS-T Nano Circular	
TOLERANCES UNLESS OTHERWISE SPECIFIED: 0 PLC ± - 1 PLC ± - 2 PLC ± .010 3 PLC ± .005 4 PLC ± - ANGLES ± 1°		APVD M STORRY 30 JUL 2012	PRODUCT SPEC		
MATERIAL SEE NOTES		FINISH SEE NOTES	APPLICATION SPEC	SIZE A2	CAGE CODE 0PJN9
		WEIGHT -	DRAWING NO 1925259	RESTRICTED TO	
		CUSTOMER DRAWING	SCALE 6:1	SHEET 1 of 1	REV A

Mouser Electronics

Authorized Distributor

Click to View Pricing, Inventory, Delivery & Lifecycle Information:

[TE Connectivity:](#)

[1925259-1](#)